



7492.0095

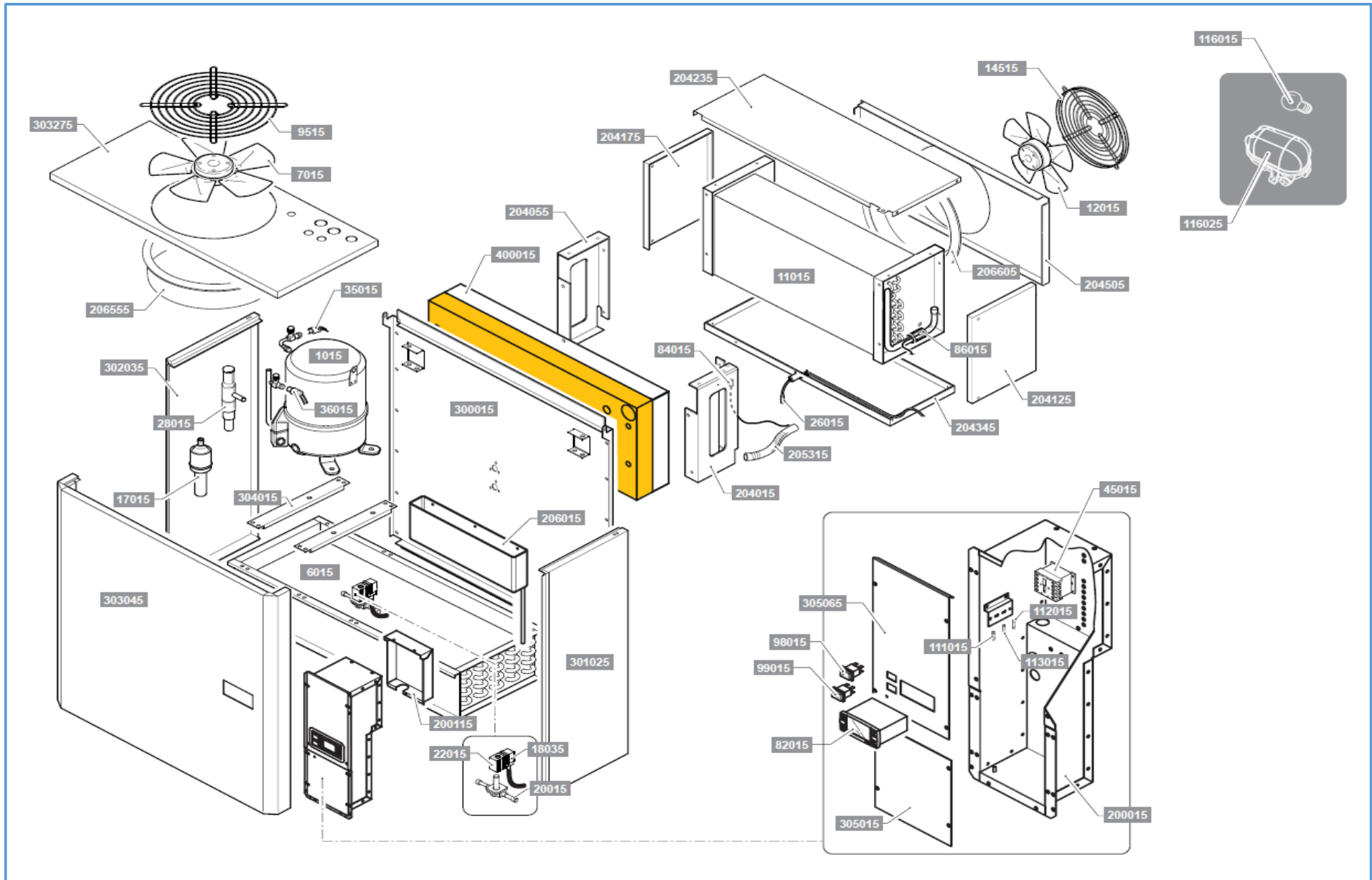
Onderdelen informatie

Erzatzteil information

Spare part information

Information de pièces





Onderdelenlijst 7492.0095

POS:	Art.No.:	Omschrijving:	Aantal:
1015	9806.0005	Compressor	
6015	9806.0008	Condenser	
7015	9806.0030	Condenser motorfan	
9515	9806.0020	Condenser fan grid	
11015	9806.0012	Evaporator	
12015	9806.0030	Evaporator motorfan	
14515	9806.0019	Evaporator fan grid	
17015	9806.0014	Gas filter	
20015	9806.0045	Defrost solenoid valve	
22015	9806.0002	Solenoid valve coil	
26015	9806.0037	Drain heater	
45015	9806.0042	Compressor contactor	
82015		Electronic control instrument	
84015	9806.0038	Room temperature probe	
86015	9806.0038	Evaporator temperature probe	
98015	9806.0024	Auxiliary circuit main switch	
99015	9806.0026	Room light switch	
111015	9806.0015	Auxiliary circuit fuse	
112015	9806.0016	Room light fuse	
116015	9806.0027	Lamp	
116025	9806.0032	Lamp holder	
204015	9806.0078	Evaporator left holder	
204055	9806.0079	Evaporator right holder	
204125	9806.0080	Evaporator left side panel	
204175	9806.0081	Evaporator right side panel	
204235	9806.0076	Evaporator cover	
204345	9806.0077	Evaporator plastic drain tray	
204505	9806.0083	Evaporator fan holder	
205315	9806.0041	Evaporator drain pipe (each metre)	
206015	9806.0048	Condensate evaporation tray	
300015	9806.0072	Condensing section back	
301025	9806.0074	Condensing section right side panel	
302035	9806.0075	Condensing section left side panel	
303045	9806.0071	Condensing section front cover	
303275	9806.0073	Condensing section cover/ fan holder	
304015	9806.0082	Compressor holder	
400015		Insulating panel	
36015	9806.0035	High pressure switch	
35015	9806.0033	Low pressure switch	
206555	9806.0003	Condenser fan cowl	
206605	9806.0003	Evaporator outlet air cowl	