

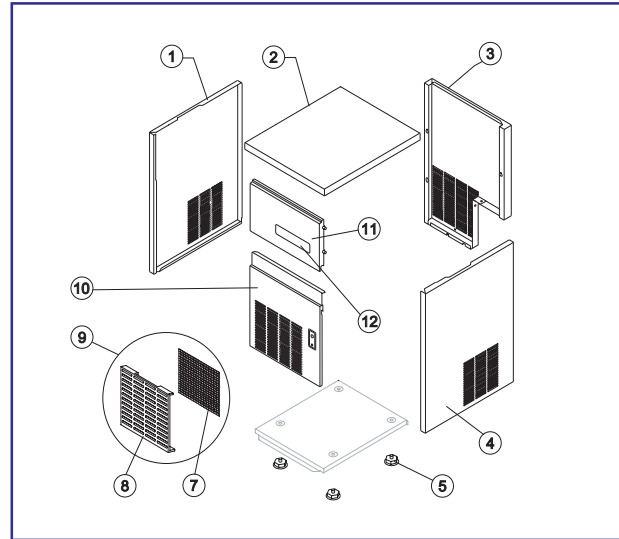
# SL 60 R 290 R - 2020

# LIST OF THE EXPLODED VIEWS

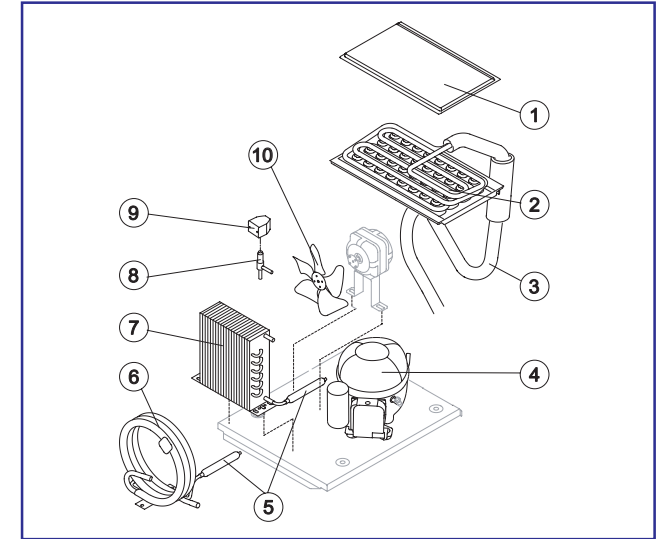
Rev. 03 - 26/01/2022



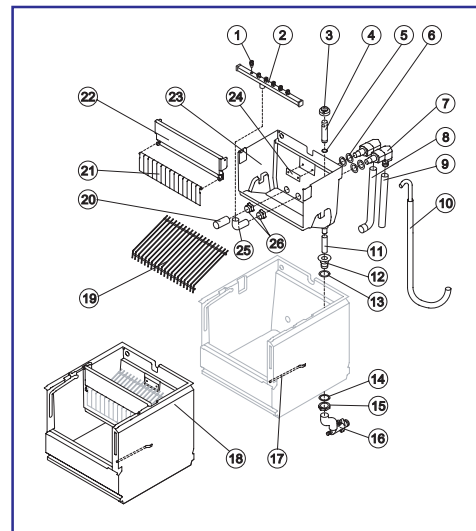
### SHELL ASSY



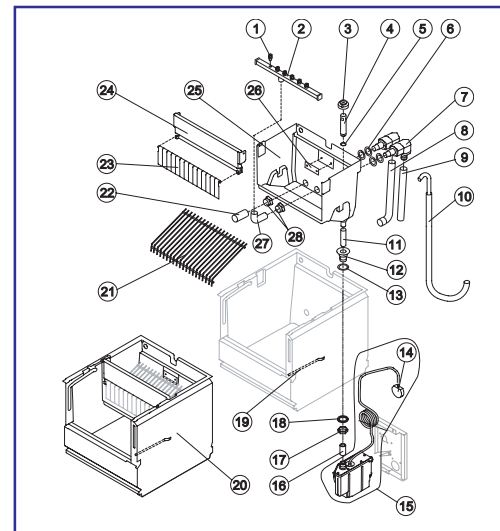
### COOLING SYSTEM



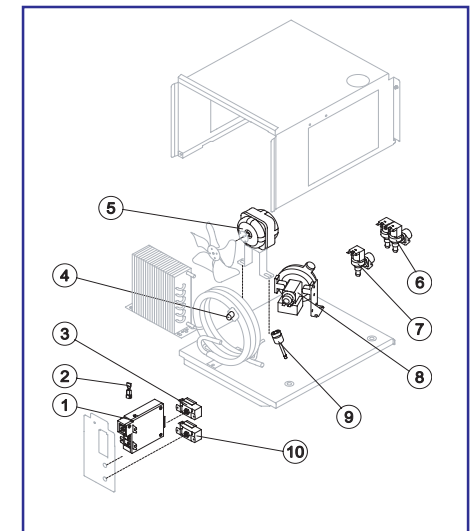
### HYDRAULIC CIRCUIT SL60A/W

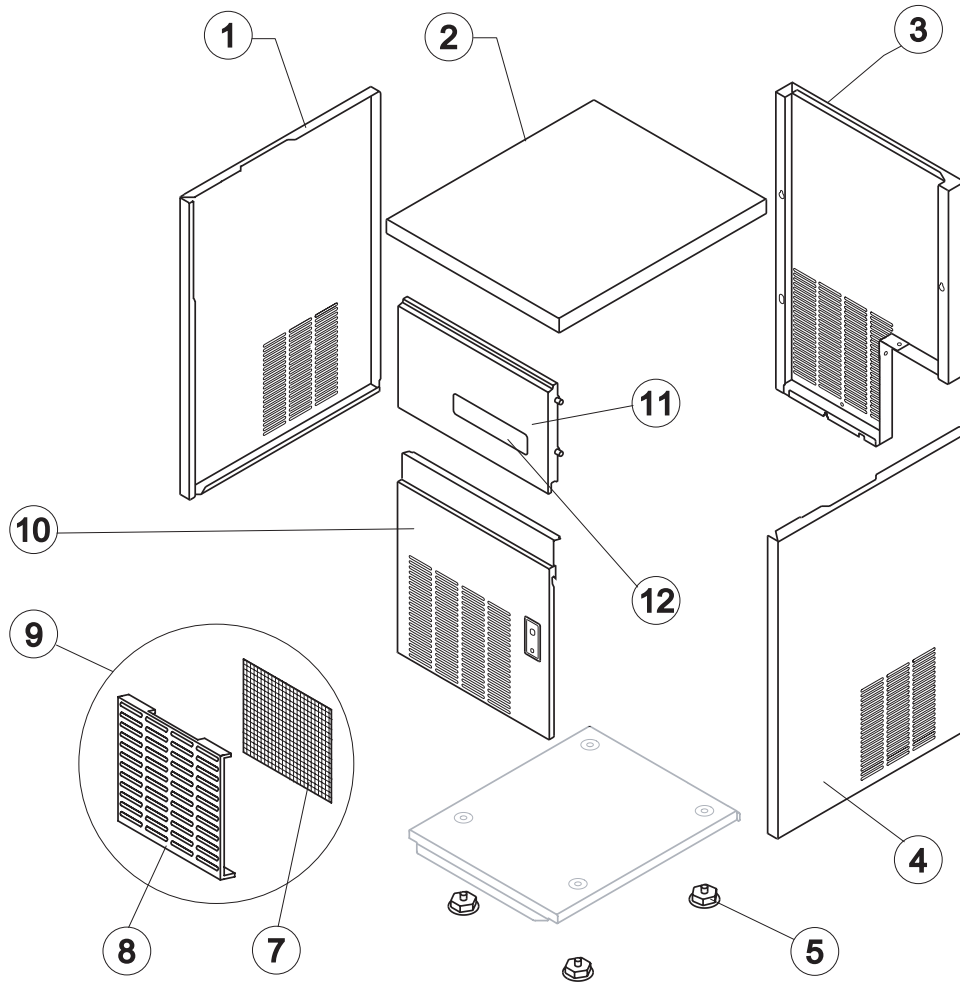


### HYDRAULIC CIRCUIT SL60A DP



### ELECTRICAL PARTS





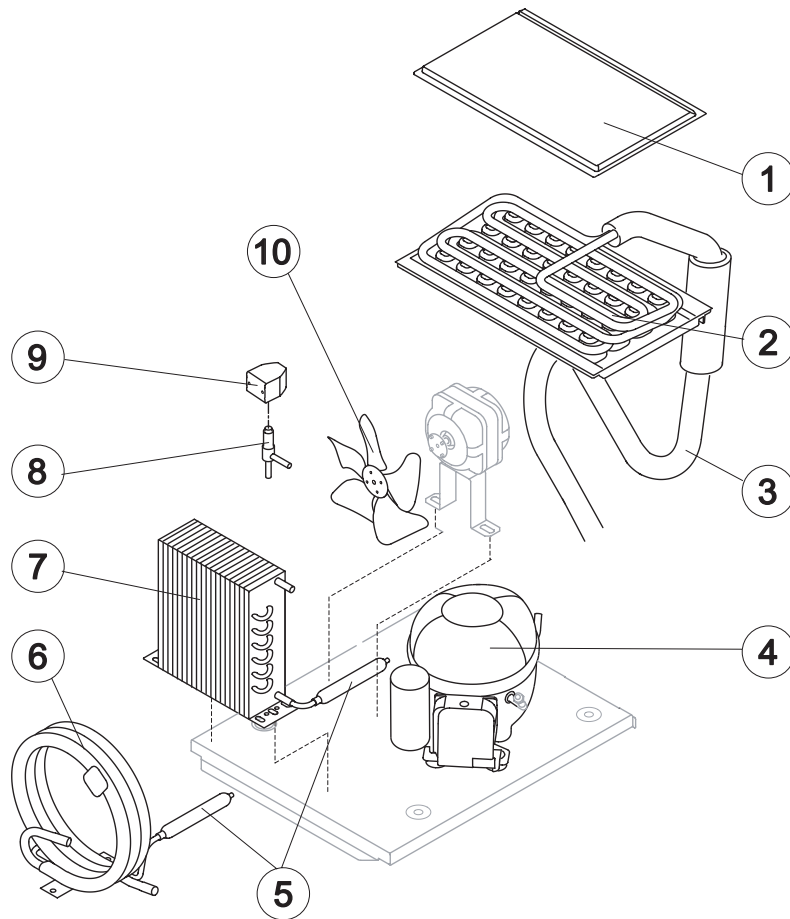
Ref.	Spare Description	Code
1	Left Side Panel Assembly	C221943
2	Top	Current Version 222060
2	Top	Till s/n. 1022092 221937
3	Grey Rear Side Panel	Current Version 21596
3	Grey Rear Side Panel	Till s/n. 1022092 21553
4	Right Side Panel Assembly	C221944
5	Foot	10557
7	Filter	18243
8	Grid	10697
9	Grid Assembly	C10697
10	Front Panel	Current Version C222100
10	Front Panel	Till s/n. 1098083 C221946
11	Door Assembly	C10358
12	Resinated Logo	241330

# SL 60 R 290 R - 2020

# COOLING SYSTEM

## SL 60A R290 / SL 60W R290/ SL 60A R290 DP

Rev. 03 - 26/01/2022



### Common Parts

Ref.	Spare Description	Code
1	Evaporator Cover Panel	10512
2	Evaporator Assy	See Table
3	Compressor	231122
7*	Molecular Drier	14009
10*	Hot Gas Valve Body	20853
11*	Hot Gas Valve Coil	23854
12	Suction Fan	See Table
13	Suction Line	for the spare parts code give us the s/n.

### Parts for Air-Cooled Version Only

Ref.	Spare Description	Code
9	Air Condenser	20534

### Parts for Water-Cooled Version Only

Ref.	Spare Description	Code
8	Water Condenser	14014

### Ref. 2 - Evaporator

Kind of Cube	Code
17 g. (Standard)	D10045
32 g.	D10320
14 g.	D10416
41 g.	D10502

### Ref. 12 - Suction Fan

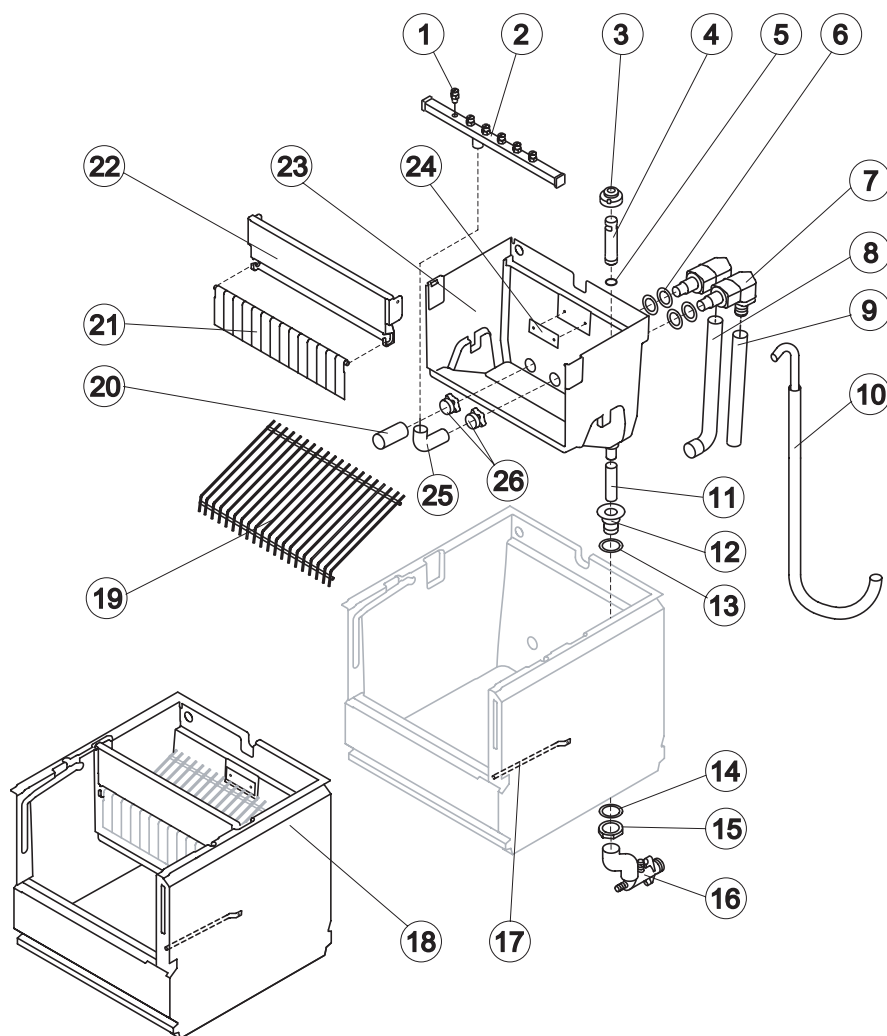
Voltage	Air	Water
220/240V 50 Hz	20096	10213

# SL 60 R 290 R - 2020

# HYDRAULIC CIRCUIT

## SL 60A R290 / SL 60W R290

Rev. 03 - 26/01/2022



### Common Parts

Ref.	Spare Description	Code
2	Sprayer	D20002
3*	Sprayers Bar Assembly	See Table
4*	Overflow Cap	10305
5*	Overflow Pipe	10133
6*	OR Gasket for Overflow Pipe	20233
7	Gasket for Pump Suction/Delivery Pipes	13220
8	Insulated Pump Suction/Delivery Fitting	C10653
9	Insulated Pump Suction Pipe	C13172
10	Insulated Pump Delivery Pipe	C13175295
11*	Water Supply Pipe to the Evaporator	C13223
12*	Overflow Pipe	13106
13	Water Outlet Nipple	10472
14	Silicone Gasket	13219
15	Semirigid Polyethylene Gasket	13007
16	Bin Discharge Nut	10096
18	Bulbe-holder Pipe	20520
19	Complete Basin Assembly	C11255
20*	Ice Cubes Slide	See Table
21*	Pump Suction Filter	20005
22	Rod with Flags	10533
23	Flags ABS Support	10529
24	Inner Basin	10909
25	Slide Keep Plate	10009
26	Sprayers Feeding Pipe	13005
27	Fittings Locking Ring	10654

### Ref. 3\* - Sprayers Bar Assembly

Kind of Cube	Code
17 g. (Standard)	C201062
32 g.	C201089
14 g.	C201071
41 g.	C201089

### Ref. 20\* - Ice Cubes Slide

Kind of Cube	Code
17 g. (Standard)	D12001
32 g.	D12066
14 g.	D12046
41 g.	D12066

### Parts for Air-Cooled Version Only

Ref.	Spare Description	Code
17	Discharges Manifold	C10006

### Parts for Water-Cooled Version Only

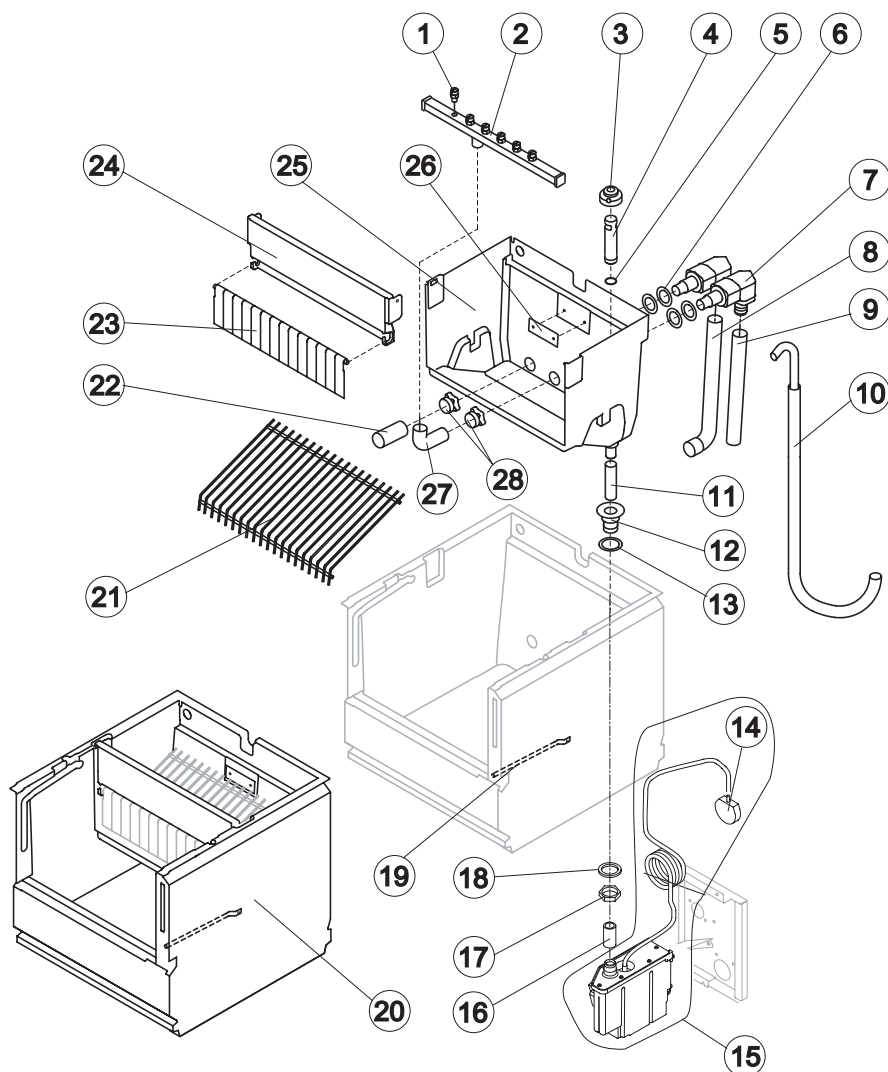
Ref.	Spare Description	Code
17	Discharges Manifold	C26452

# SL 60 R 290 R - 2020

# HYDRAULIC CIRCUIT

## SL 60A R290 DP

Rev. 03 - 26/01/2022



### Common Parts

Ref.	Spare Description	Code
2	Sprayer	D20002
3*	Sprayers Bar Assembly	See Table
4*	Overflow Cap	10305
5*	Overflow Pipe	10133
6*	OR Gasket for Overflow Pipe	20233
7	Gasket for Pump Suction/Delivery Pipes	13220
8	Insulated Pump Suction/Delivery Fitting	C10653
9	Insulated Pump Suction Pipe	C13172
10	Insulated Pump Delivery Pipe	C13175295
11*	Water Supply Pipe to the Evaporator	C13223
12*	Overflow Pipe	13106
13	Water Outlet Nipple	10472
14	Silicone Gasket	13219
15	Drain Pump Pressure Switch	C231230
16	Drain Pump	RC231225
17	Bin Discharge-Drain Pump Connection	C13175080
18	Bin Discharge Nut	10096
19	Semirigid Polyethylene Gasket	13007
20	Bulbe-holder Pipe	20520
21	Complete Basin Assembly	C11255
22*	Ice Cubes Slide	See Table
23*	Pump Suction Filter	20005
24	Rod with Flags	10533
25	Flags ABS Support	10529
25	Inner Basin	10909
27	Slide Keep Plate	10009
28	Sprayers Feeding Pipe	13005
29	Fittings Locking Ring	10654

### Ref. 3\* - Sprayers Bar Assembly

Kind of Cube	Code
17 g. (Standard)	C201062
14 g.	C201071

### Ref. 20\* - Ice Cubes Slide

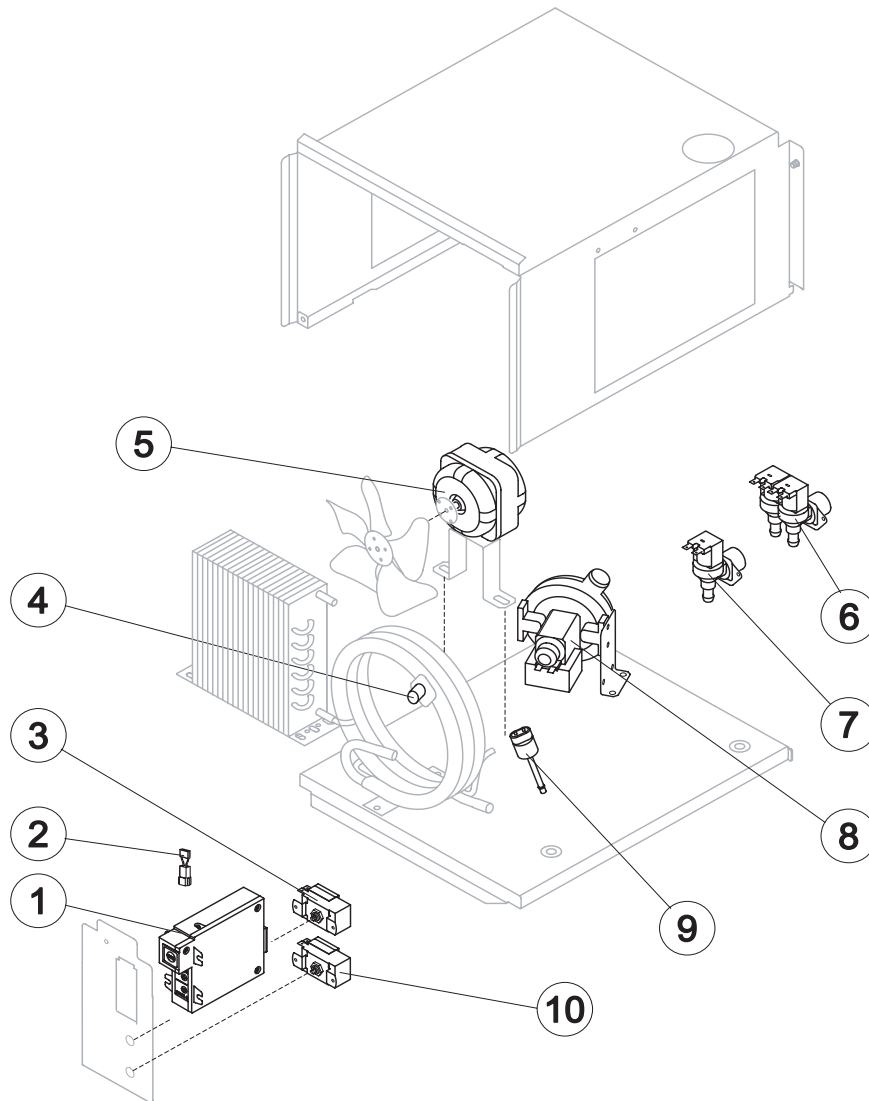
Kind of Cube	Code
17 g. (Standard)	D12001
14 g.	D12046

# SL 60 R 290 R - 2020

# ELECTRIC PARTS

## SL 60A R290 / SL 60W R290/ SL 60A R290 DP

Rev. 03 - 26/01/2022



### Common Parts

Ref.	Spare Description	Code
1*	Electronic Timer / On-Off (AWS)	R231154
3*	Bin Thermostat	23005
5*	Fan Motor	231041
8*	Pump Assembly	C231397
10*	Evaporator Thermostat	23591

### Parts for Air-Cooled Version Only

Ref.	Spare Description	Code
7*	1 Way- Water Inlet Valve	23497

### Parts for Water-Cooled Version Only

Ref.	Spare Description	Code
2	Anti Radio Interference Filter	Only 220V 50 Hz C23457
4*	Safety Thermostat	C23114
6*	2 Ways- Water Inlet Valve	23542
9*	Condenser Pressure Switch	231352