



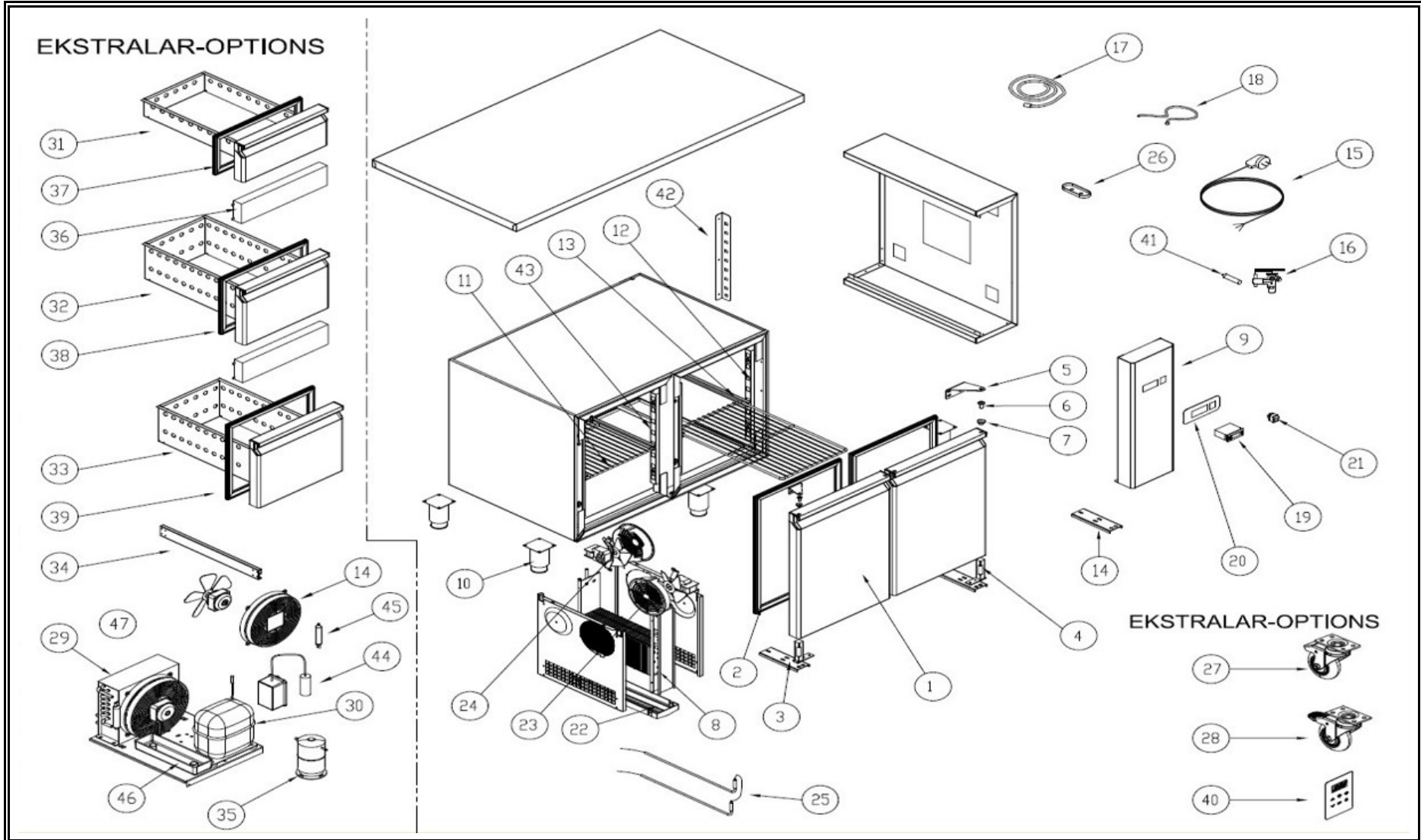
7489.5085

R134a

Onderdelen informatie
Erzatzteil information
Spare part information
Information de pièces







| POS: | Art.No.: | Omschrijving: | Aantal: |
|------|-------------|--------------------------------------|---------|
| 1 | | DOOR | 2 |
| 2 | CS9113.0035 | DOOR GASKET | 2 |
| 3 | CS9113.1810 | LOVER HINGE BRACET | 2 |
| 4 | CS9113.1260 | UPRIGHT HINGE AND PARTS | 2 |
| 5 | CS9113.2005 | UPPER HINGE | 2 |
| 6 | CS9113.1815 | UPPER HINGE PIM | 2 |
| 7 | CS9113.1820 | HINGE PLASTIC | 2 |
| 8 | CS9113.0250 | EVAPOROTOR | 1 |
| 9 | | CANOPY | 1 |
| 10 | CS9113.0610 | STAINLESS STEEL LEG | 4 |
| 11 | | SHELF-CGN | 2 |
| 12 | | SHELF RACKET - SIDE | 4 |
| 13 | | SHELF GUIDE - CGN | 4 |
| 14 | CS9113.0230 | CONDANSER FAN PLASTIC | 1 |
| 15 | | PLUG CABLE | 1 |
| 16 | CS9113.0725 | EXPANSION VALUE | 1 |
| 17 | CS9390.2290 | PROP | 1 |
| 18 | CS9181.2051 | PROP | 1 |
| 19 | CS9338.3550 | DIGITAL THERMOSTAT TWO PROPE(DIXELL) | 1 |
| 20 | CS9113.2300 | DIGITAL LABEL | 1 |
| 21 | CS9108.0254 | ON - OFF SWITCH | 1 |
| 22 | CS9113.1075 | EVAPOROTOR CUP | 1 |
| 23 | CS9113.0225 | PLASTIC FAN PROTECTION | 2 |
| 24 | CS9113.0310 | EVAP FAN MOTOR | 2 |
| 25 | CS9113.1045 | 200W RESISTANCE | 1 |
| 26 | | PROP COVER | 1 |
| 27 | CS9113.0615 | WHEELS | 3 |
| 28 | CS9113.0620 | WHEELS BRAKE | 2 |
| 29 | CS9113.1765 | 1/4 Hp CONDANSER | 1 |
| 30 | CS9113.0690 | COMPRESSOR-EMT 6170 Z (1/4hp) | 1 |
| 31 | | 1/3 DRAWERS | |
| 32 | | 1/2 DRAWERS | |
| 33 | | 2/3 DRAWERS | |
| 34 | CS9113.0010 | DRAWER RAIL | |
| 35 | | LIQUID TANK | 1 |
| 36 | CS9113.2010 | DRAWERS MIDDLE BRIDGE | |
| 37 | CS9113.0030 | 1/3 DRAWER GASKET | |
| 38 | CS9113.0040 | 1/2 DRAWER GASKET | |
| 39 | CS9113.0050 | 2/3 DRAWER GASKET | |
| 40 | | WATER PROOF DIJITAL | 1 |
| 41 | | EXPANSION VALUE ORIFICE | 1 |
| 42 | | SHELF RACKET - BACK | 2 |
| 43 | | SHELF RACKET - MIDDLE | 2 |



Onderdelenlijst 7489.5085

| POS: | Art.No.: | Omschrijving: | Aantal: |
|------|-------------|-----------------------|---------|
| 44 | | ROLE BOX | 1 |
| 45 | | DRAYER | 1 |
| 46 | CS9113.1080 | WATER BOX | 1 |
| 47 | CS9113.1525 | 10W-FAN MOTOR | 1 |
| . | CS9113.1665 | COUNTER FREEZER GROUP | 1 |