

2100

1800

450x450
F-F
80mm
2010
③ ○

900
M-M
80mm
2010
④ ○

450x450
F-F
80mm
2010
⑤ ○

F M

M F

F
M

F
M

① ○

1800x1050
Male (Erkek)

7489.0040 - 80mm
1800x2100x2010

F: Female (Dişi)
M: Male (Erkek)

900
M-M
80mm
2010
⑧ ○

900
M-M
80mm
2010
⑥ ○

M
F

M
F

② ○

1800x1050
Female (Dişi)

600
M-F
80mm
2010
⑨ ○

300
F-M
80mm
2010
⑦ ○

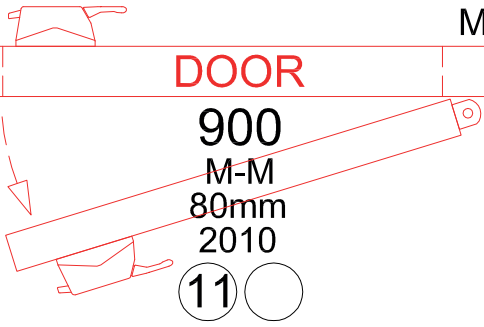
M
F

M
F

F M

M F

DOOR



900
M-M
80mm
2010
⑪ ○

450x300
F-F
80mm
2010
LEFT (SOL)
⑩ ○

600x150
F-F
80mm
2010
LEFT (SOL)
⑫ ○