

71780425



Short Form Specification

Model : _____

Item : _____

Name: _____

Main Features

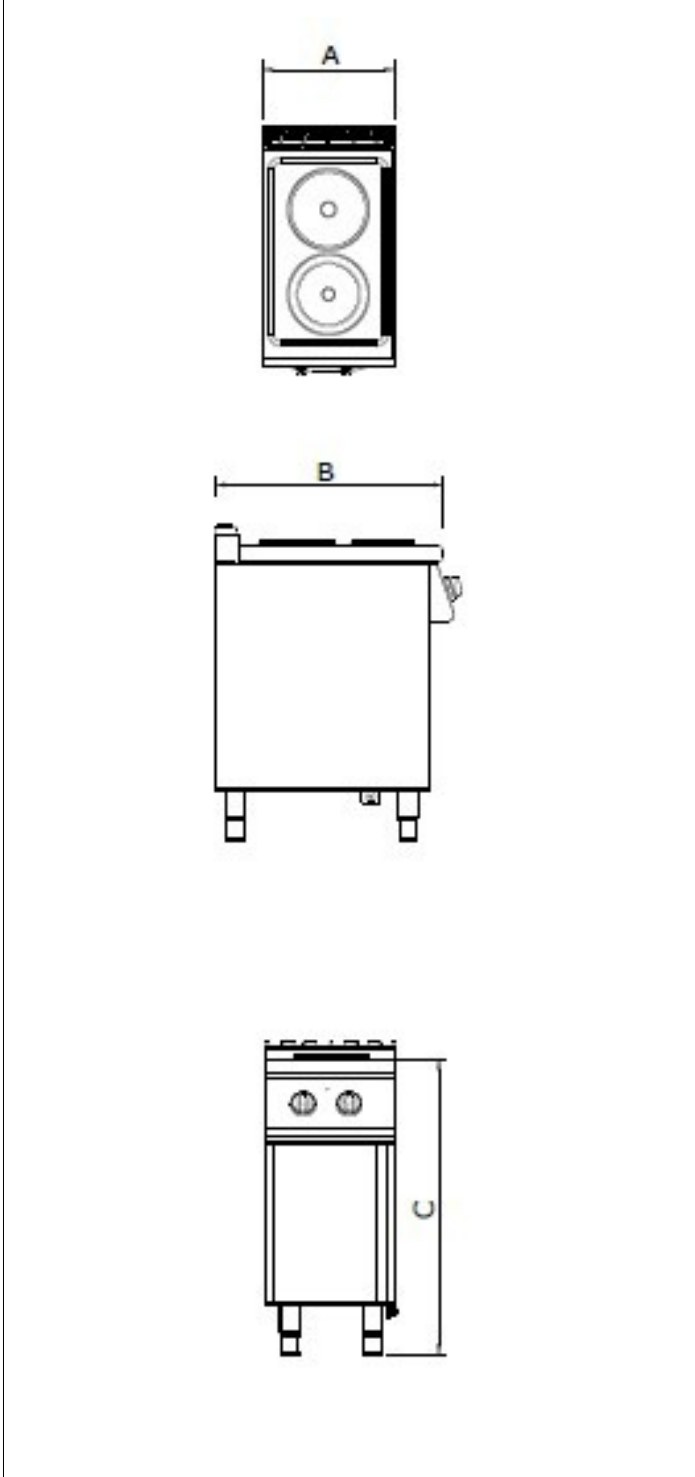
- 2 or 4 heating plates, with or without oven models
- Adjustable temperature level control
- Ø 180 mm and Ø230 mm -two types of cooking plates
- Unscratchable enameled cast iron back grate scratch proff enamel coated cast iron back grate
- With oven or cupboards oven or storage cabinet

Construction

APPROVAL: _____



71780425



Code	71780425
Width (A)	400
Depth (B)	700
Height (C)	900
Gross Weight (kg)	50,5 kg
Gross Volume (m3)	0,46 m3
Gas Inlet	
Electrical Inlet	380 V 3N PE
Power	4,1 kW
Capacity	