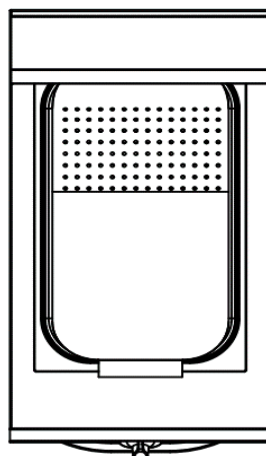


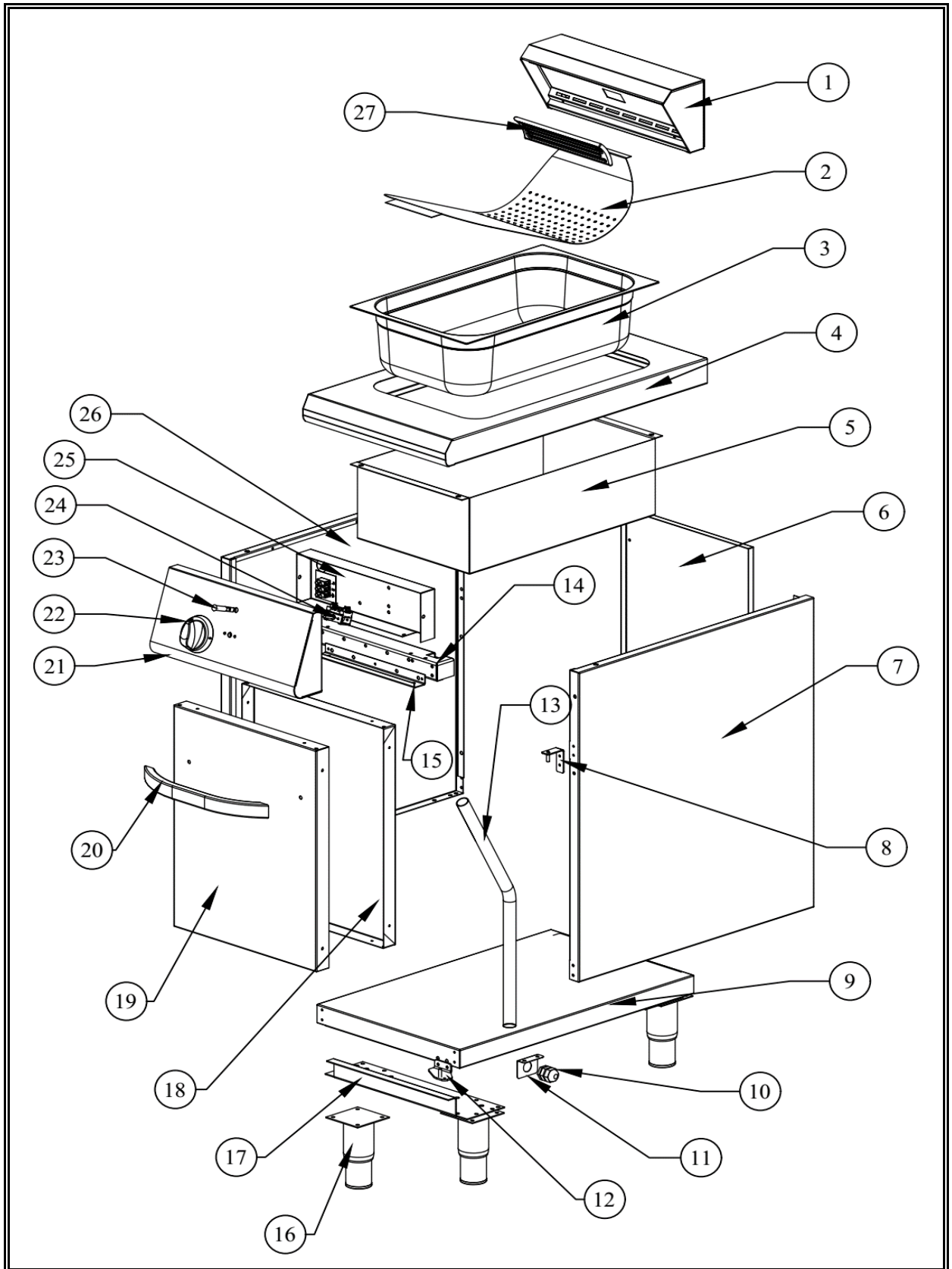


**7178.0530**

Onderdelen informatie  
Erzatzteil information  
Spare part information  
Information de pièces







| <b>POS:</b> | <b>Art.No.:</b> | <b>Omschrijving:</b>          | <b>Aantal:</b> |
|-------------|-----------------|-------------------------------|----------------|
| 1           |                 | Heaters Fixed                 | 1              |
| 2           |                 | Filtration Part               | 1              |
| 3           | 9289.0575       | 1/1 Gn Container              | 1              |
| 4           |                 | Worktop                       | 1              |
| 5           |                 | Top Container Isolation       | 1              |
| 6           |                 | Back Pannel                   | 1              |
| 7           |                 | Right Side Panel              | 1              |
| 8           |                 | Upper Hinge                   | 1              |
| 9           |                 | Bottom Table                  | 1              |
| 10          |                 | Cable Gland                   | 1              |
| 11          |                 | Cable Fixing Part             | 1              |
| 12          |                 | Nether Hinge                  | 1              |
| 13          |                 | Electrical Inlet Pipe         | 1              |
| 14          |                 | Front Support                 | 1              |
| 15          |                 | Front Panel Fixing Part       | 1              |
| 16          | 9289.0405       | Adjustable Legs               | 4              |
| 17          |                 | Legs Fixing Part              | 2              |
| 18          |                 | Door Inner Part               | 1              |
| 19          |                 | Door Outher Part              | 1              |
| 20          | 9289.0410       | Door Handle                   | 1              |
| 21          |                 | Front Panel                   | 1              |
| 22          | 9289.0660       | Knob                          | 1              |
| 23          | 9289.0050       | Light Indicator               | 1              |
| 24          | 9289.0760       | Main Switch                   | 1              |
| 25          |                 | Elc. Installation Fixing Part | 1              |
| 26          |                 | Left Side Panel               | 1              |
| 27          | 9289.0770       | Resistance                    | 1              |