

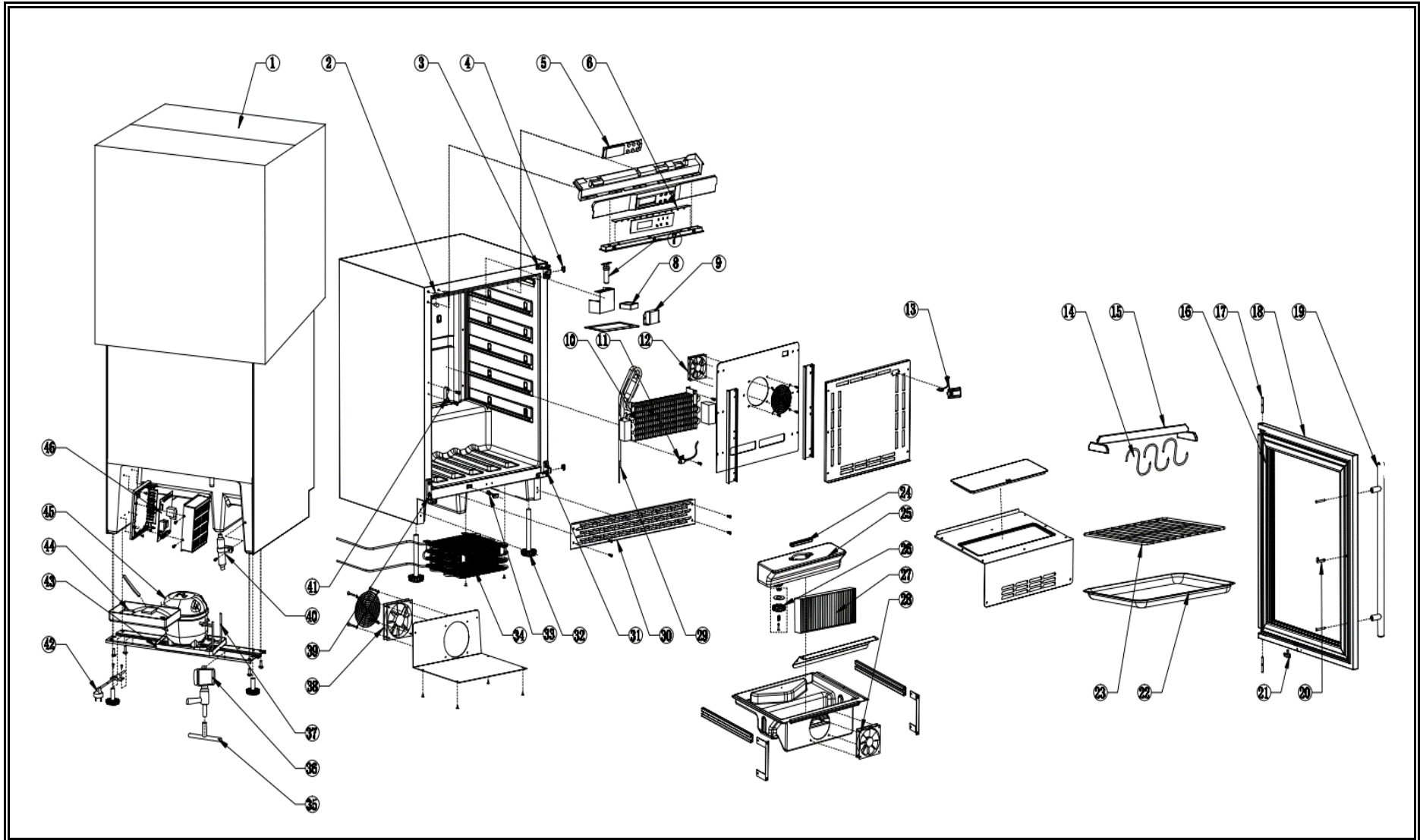


***7525.0100***

Onderdelen informatie  
Erzatzteil information  
Spare part information  
Information de pièces







POS:	Art.No.:	Omschrijving:	Aantal:
1		Carton	1
2	CS9338.5002	M5 trunk-nail	4
3	CS9338.4978	SS left hinge	1
4	CS9338.4946	Limited rubber	2
5	CS9338.4998	White display board	1
6	CS9338.4908	White LED light (12pcs)	1
7	CS9338.4980	UV light	1
7a		UV light cover	1
8	CS9338.4982	SAD5015B12L fan motor	1
9	CS9338.4984	12V Ballast	1
10	CS9338.5064	Evaporator	1
11	CS9338.4914	Sensor R=2.1K	1
12	CS9338.4910	DC1225B fan motor	1
13	CS9338.4986	Humidity sensor	1
14	CS9338.5000	Pylons	1
15	CS9338.5014	Pegs	3
16	CS9338.4904	SS35 door gasket	1
17	CS9338.4916	Door axis	2
18		Door	1
19	CS9338.4988	Handle	1
20	CS9338.4990	Lock end	1
21	CS9338.4930	The square magnet	1
21a	CS9338.4930	Magnet mounting box	1
22	CS9338.5016	Salt Pans	1
23	CS7525.0112	Metal Shelf	1
24		Water box knob	1
25	CS9338.5006	Water box	1
26		Add Water covering cap subgroup	1
27		Humidifier filter	1
28	CS9338.4910	DC1225B fan motor	1
29		Suction tube	1
29a		capillary tube	1
30		46 SS kick plate	1
31	CS9338.4992	SS right hinge	1
32	CS9338.4954	M10 cabinet leg	4
33		Magnetic switch box	1
33a	CS9338.4918	Magnetic switch PCB board	1
34		Condenser	1
35		T-type 3-way pipe	2
36	CS9338.4994	Solenoid valve	1
37		Exhaust pipe connection pipe	1
38	CS9338.4910	DC1225B fan motor	1
39		Drop-proof device	1

POS:	Art.No.:	Omschrijving:	Aantal:
40		Dryer filter	1
41		Lock mount	1
42	CS9392.0830	Electrical power cord	1
43		Water container	1
44		Water container	1
45	CS9390.2930	FMXA4C compressor	1
46	CS9338.4996	PCB board	1