

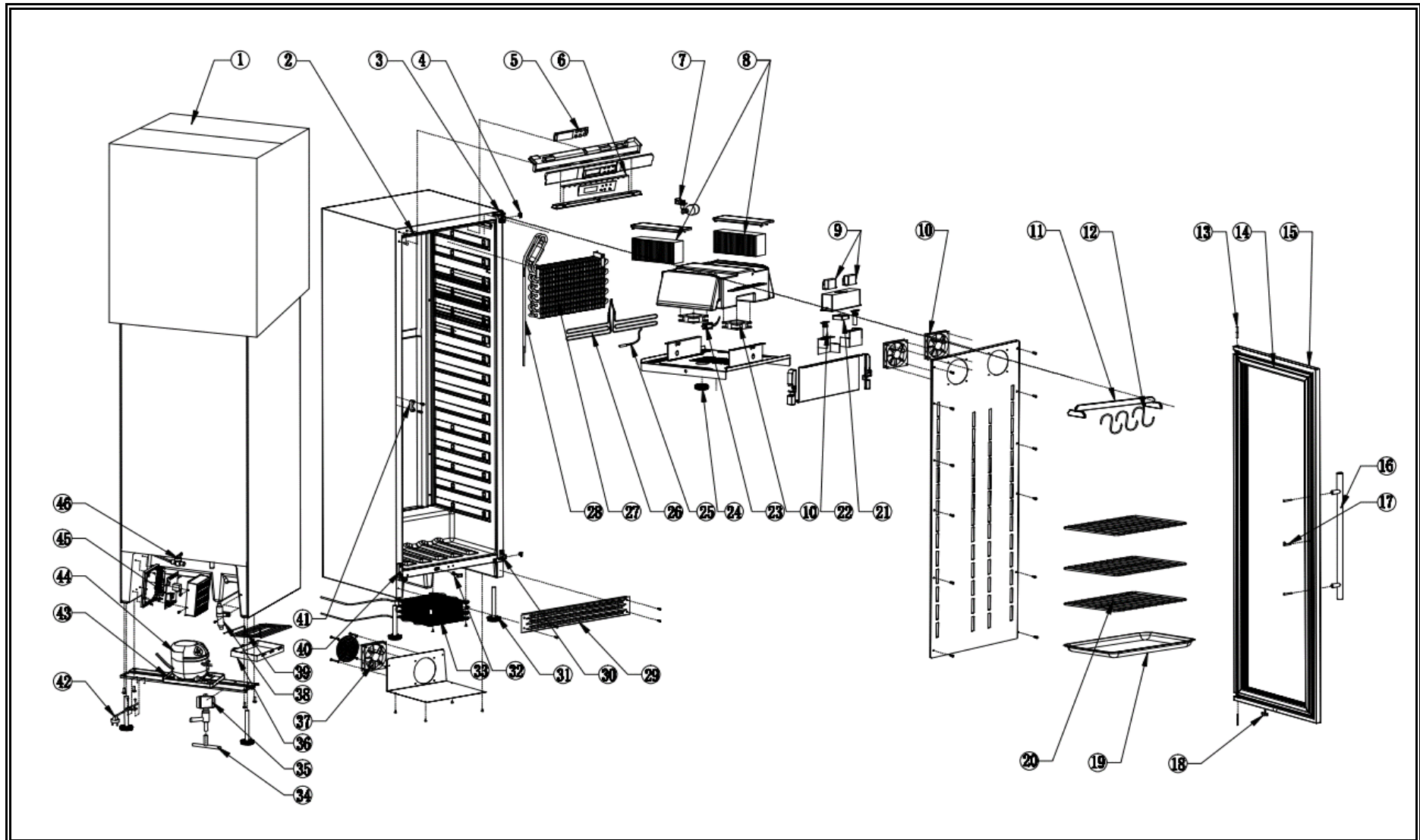


7525.0110

Onderdelen informatie
Erzatzteil information
Spare part information
Information de pièces







POS:	Art.No.:	Omschrijving:	Aantal:
1		Carton	1
2	CS9338.5002	M5 trunk-nail	4
3	CS9338.4978	Left hinge	2
4	CS9338.4946	Limited rubber	2
5	CS9338.4998	White display board	1
6	CS9338.4908	White LED light (12pcs)	1
7	CS9338.5008	Float Assembly	1
8	CS9338.5010	Humidifier filter	2
9	CS9338.4984	12V Ballast	2
10	CS9338.4910	DC1225 fan motor	4
11		Pylons	1
12	CS9338.5014	Pegs	3
13	CS9338.4916	Door axis	2
14	CS9338.4964	SS35 door gasket	1
15		Door	1
16	CS9338.4988	Handle	1
17	CS9338.4990	Lock end	1
18	CS9338.4930	The square magnet	1
18a	CS9338.4930	Magnet mounting box	1
19	CS9338.5016	Salt Pans	1
20	CS7525.0114	Metal Shelf	3
21	CS9338.4982	SAD5015B12L fan motor	1
22	CS9338.4980	UV light	1
22a		UV light cover	1
23	CS9338.4986	Humidity sensor	1
24		Add Water covering cap subgroup	1
25	CS9338.4914	Sensor R=2.1K	1
26	CS9338.5078	Heater	1
27	CS9338.5062	180 evaporator	1
28		Suction tube	1
29		VI88 kick plate	1
30	CS9338.4992	Right Hinge	1
31	CS9338.4974	M10 cabinet leg	4
32		Magnetic switch box	1
32a	CS9338.4918	Magnetic switch PCB board	1
33		Condenser	1
34		T-type 3-way pipe	2
35	CS9338.5004	Solenoid valve	1
36		Water container	1
37	CS9338.4910	DC1225 fan motor	1
38		Dryer filter	1
39		connecting pipe	1
40		Drop-proof device	1

POS:	Art.No.:	Omschrijving:	Aantal:
41		Lock mount	1
42	CS9392.0830	Electrical power cord	1
43		Water container	1
44	CS9390.2930	FMXA4C compressor	1
45	CS9338.4996	PCB board	1
46		2 minute check valve	1