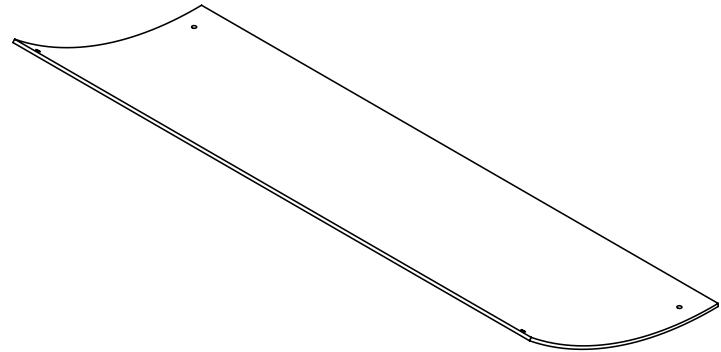


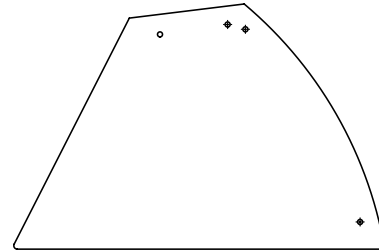
7472.0125 - 7472.0130 - 7472.0135

A



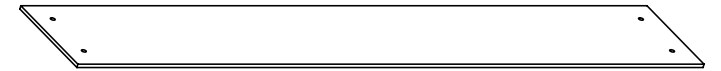
X1

B



X2

C



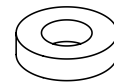
X1

D



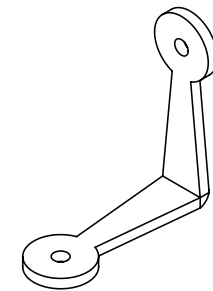
X16

E



X16

F



X8

