



**Microwave
7455.1662**

User Manual
Gebruikershandleiding
Gebrauchsanweisung
Le mode d'emploi



CONTENT

ENGLISH

| | |
|--|----|
| Precautions to avoid possible exposure to excessive microwave energy | 4 |
| Addendum | 4 |
| Specifications | 4 |
| Important safety instructions | 4 |
| To Reduce the Risk of Injury to Persons | 5 |
| Caution | 6 |
| Materials you can use in microwave oven | 6 |
| Materials to be avoided in microwave oven | 7 |
| Setting up your oven | 7 |
| Countertop Installation | 7 |
| Installation | 8 |
| Cleaning instructions | 8 |
| Operation | 9 |
| Operation instruction | 10 |
| Troubleshooting | 14 |

NEDERLANDS

| | |
|--|----|
| Voorzorgsmaatregelen om mogelijke blootstelling aan overmatige microgolfenergie te vermijden | 15 |
| Appendix | 15 |
| Specificaties | 15 |
| Belangrijke veiligheidsinstructies | 15 |
| Het risico op letsel aan personen verminderen | 16 |
| Opgepast | 17 |
| Materialen die u in de magnetron kunt gebruiken | 17 |
| Materialen die vermeden moeten worden in de magnetron | 18 |
| Uw oven instellen | 19 |
| Countertop Installatie | 19 |
| Installatie | 20 |
| Reinigingsinstructies | 20 |
| Bediening | 21 |
| Bedieningsinstructie | 22 |
| Probleemoplossing | 27 |

DEUTSCH

| | |
|---|----|
| Vorsichtsmaßnahmen, um einer möglicher Belastung durch starke Mikro-wellenstrahlung vorzubeugen | 28 |
| Nachtrag | 28 |
| Spezifikationen | 28 |
| Wichtige Sicherheitsinstruktionen..... | 28 |
| Reduktion des Risikos von Körperverletzungen..... | 29 |
| Vorsichtsmaßnahmen | 30 |
| Materialien/Stoffe, die Sie in der Mikrowelle verwenden können | 30 |
| Materialien/Stoffe, die nicht für die Mikrowelle geeignet sind | 31 |
| Einrichtung Ihrer Mikrowelle | 32 |
| Installation auf einer Küchenarbeitsfläche | 32 |
| Installation | 33 |
| Reinigungsanleitung | 33 |
| Betrieb | 34 |
| Betriebsanleitung | 35 |
| Fehlersuche und -behebung | 40 |

FRANÇAIS

| | |
|--|----|
| Précautions pour éviter une exposition possible à une énergie micro-ondes excessive..... | 41 |
| Addenda | 41 |
| Spécifications..... | 41 |
| Consignes de sécurité importantes | 41 |
| Réduire le risque de blessures pour les personnes | 42 |
| Attention..... | 43 |
| Matériaux que vous pouvez utiliser dans un four à micro-ondes..... | 43 |
| Matières à éviter dans le four à micro-ondes | 44 |
| Installation de votre four | 45 |
| Installation du comptoir | 45 |
| Installation | 46 |
| Instructions de nettoyage..... | 46 |
| Fonctionnement | 47 |
| Instructions de fonctionnement | 48 |
| Dépannage..... | 53 |

Read these instructions carefully before using your microwave oven, and keep it carefully.

If you follow the instructions, your oven will provide you with many years of good service.

SAVE THESE INSTRUCTIONS CAREFULLY

Precautions to avoid possible exposure to excessive microwave energy

(a) Do not attempt to operate this oven with the door open since this can result in harmful exposure to microwave energy. It is important not to break or tamper with the safety interlocks.

(b) Do not place any object between the oven front face and the door or allow soil or cleaner residue to accumulate on sealing surfaces.

(c) **WARNING:** If the door or door seals are damaged, the oven must not be operated until it has been repaired by a competent person.

Addendum

If the apparatus is not maintained in a good state of cleanliness, its surface could be degraded and affect the lifespan of the apparatus and lead to a dangerous situation.

Specifications

| | |
|--------------------------------|-----------------|
| Model: | 7455.1662 |
| Rated voltage: | 230V~50Hz |
| Rated Input Power(Microwave): | 1550W |
| Rated Output Power(Microwave): | 1000W |
| Oven Capacity: | 25L |
| External Dimensions: | 511x432x311mm |
| Net Weight: | Approx. 14,7 kg |

Important safety instructions

WARNING

To reduce the risk of fire, electric shock, injury to persons or exposure to excessive microwave oven energy when using your appliance, follow basic precautions, including the following:

1. This appliance is not intended for use by persons (including children) with reduced physical, sensory or mental capabilities, or lack of experience and knowledge, unless they have been given supervision or instruction concerning use of the appliance by a person responsible for their safety. Children should be supervised to ensure that they do not play with the appliance.
2. If the supply cord is damaged, it must be replaced by the manufacturer, its service agent or similarly qualified persons in order to avoid a hazard.
3. Ensure that the appliance is switched off before replacing the lamp to avoid the possibility of electric shock.
4. It is hazardous for anyone other than a competent person to carry out any service or repair operation that involves the removal of a cover which gives protection against exposure to microwave energy.
5. Liquids and other foods must not be heated in sealed containers since they are liable to explode.
6. Microwave heating of beverages can result in delayed eruptive boiling, therefore care must be taken when handling the container.
7. The contents of feeding bottles and baby food jars shall be stirred or shaken and the temperature checked before consumption, in order to avoid burns.

8. Only use utensils that are suitable for use in microwave ovens.
9. When heating food in plastic or paper containers, keep an eye on the oven due to the possibility of ignition.
10. If smoke is observed, switch off or unplug the appliance and keep the door closed in order to stifle any flames.
11. Eggs in their shell and whole hard-boiled eggs should not be heated in microwave ovens since they may explode, even after microwave heating has ended.
12. The oven should be cleaned regularly and any food deposits should be removed.
13. Failure to maintain the oven in a clean condition could lead to deterioration of the surface that could adversely affect the life of the appliance and possibly result in a hazardous situation.
14. Read and follow the specific: "PRECAUTIONS TO AVOID POSSIBLE EXPOSURE TO EXCESSIVE MICROWAVE ENERGY".
15. Metallic containers for food and beverages are not allowed during microwave cooking.

READ CAREFULLY AND KEEP FOR FUTURE REFERENCE

To Reduce the Risk of Injury to Persons

Grounding Installation

Danger

Electric Shock Hazard

Touching some of the internal components can cause serious personal injury or death. Do not disassemble this appliance.

Warning

Electric Shock Hazard

Improper use of the grounding can result in electric shock. Do not plug into an outlet until appliance is properly installed and grounded.

Cleaning

Be sure to unplug the appliance from the power supply.

1. Clean the inside of the oven after using with a slightly damp cloth.
2. Clean the accessories in the usual way in soapy water.
3. The door frame and seal and neighboring parts must be cleaned carefully with a damp cloth when they are dirty.

This appliance must be grounded. In the event of an electrical short circuit, grounding reduces the risk of electric shock by providing an escape wire for the electric current. This appliance is equipped with a cord having a grounding wire with a grounding plug. The plug must be plugged into an outlet that is properly installed and grounded.

Consult a qualified electrician or serviceman if the grounding instructions are not completely understood or if doubt exists as to whether the appliance is properly grounded. If it is necessary to use an extension cord, use only a 3-wire extension cord.

1. A short power-supply cord is provided to reduce the risks resulting from becoming entangled in or tripping over a longer cord.
2. If a long cord set or extension cord is used:
 - 1) The marked electrical rating of the cord set or extension cord should be at least as great as the electrical rating of the appliance.
 - 2) The extension cord must be a grounding type 3-wire cord.
 - 3) The long cord should be arranged so that it will not drape over the counter top or table top where it can be pulled on by children or tripped over unintentionally.

Caution

Personal Injury Hazard

It is hazardous for anyone other than a competent person to carry out any service or repair operation that involves the removal of a cover which gives protection against exposure to microwave energy.

See the instructions on "Materials you can use in microwave oven or to be avoided in microwave oven." There may be certain non-metallic utensils that are not safe to use for microwaving. If in doubt, you can test the utensil in question following the procedure below.

Utensil Test:

1. Fill a microwave-safe container with 1 cup of cold water (250ml) along with the utensil in question.
2. Cook on maximum power for 1 minute.
3. Carefully feel the utensil. If the empty utensil is warm, do not use it for microwave cooking.
4. Do not exceed 1 minute cooking time.

Materials you can use in microwave oven

| Utensils | Remarks |
|-----------------------|---|
| Aluminium foil | Shielding only. Small smooth pieces can be used to cover thin parts of meat or poultry to prevent overcooking. Arcing can occur if foil is too close to oven walls. The foil should be at least 1 inch (2.5cm) away from oven walls. |
| Browning dish | Follow manufacturer's instructions. The bottom of browning dish must be placed smoothly on the ceramic board. Incorrect usage may cause the ceramic board to break. |
| Dinnerware | Microwave-safe only. Follow manufacturer's instructions. Do not use cracked or chipped dishes. |
| Glass jars | Always remove lid. Use only to heat food until just warm. Most glass jars are not heat resistant and may break. |
| Glassware | Heat-resistant oven glassware only. Make sure there is no metallic trim. Do not use cracked or chipped dishes. |
| Oven cooking bags | Follow manufacturer's instructions. Do not close with metal tie. Make slits to allow steam to escape. |
| Paper plates and cups | Use for short-term cooking/warming only. Do not leave oven unattended while cooking. |
| Paper towels | Use to cover food for reheating and absorbing fat. Use with supervision for a short-term cooking only. |
| Parchment paper | Use as a cover to prevent splattering or a wrap for steaming. |
| Plastic | Microwave-safe only. Follow the manufacturer's instructions. Should be labelled "Microwave Safe". Some plastic containers soften, as the food inside gets hot. "Boiling bags" and tightly closed plastic bags should be slit, pierced or vented as directed by package. |
| Plastic wrap | Microwave-safe only. Use to cover food during cooking to retain moisture. Do not allow plastic wrap to touch food. |
| Thermometers | Microwave-safe only (meat and candy thermometers). |
| Wax paper | Use as a cover to prevent splattering and retain moisture. |

Materials to be avoided in microwave oven

| Utensils | Remarks |
|---------------------------------|--|
| Aluminium tray | May cause arcing. Transfer food into microwave-safe dish. |
| Food carton with metal handle | May cause arcing. Transfer food into microwave-safe dish. |
| Metal or metal trimmed utensils | Metal shields the food from microwave energy. Metal trim may cause arcing. |
| Metal twist ties | May cause arcing and could cause a fire in the oven. |
| Paper bags | May cause a fire in the oven. |
| Plastic foam | Plastic foam may melt or contaminate the liquid inside when exposed to high temperature. |
| Wood | Wood will dry out when used in the microwave oven and may split or crack. |

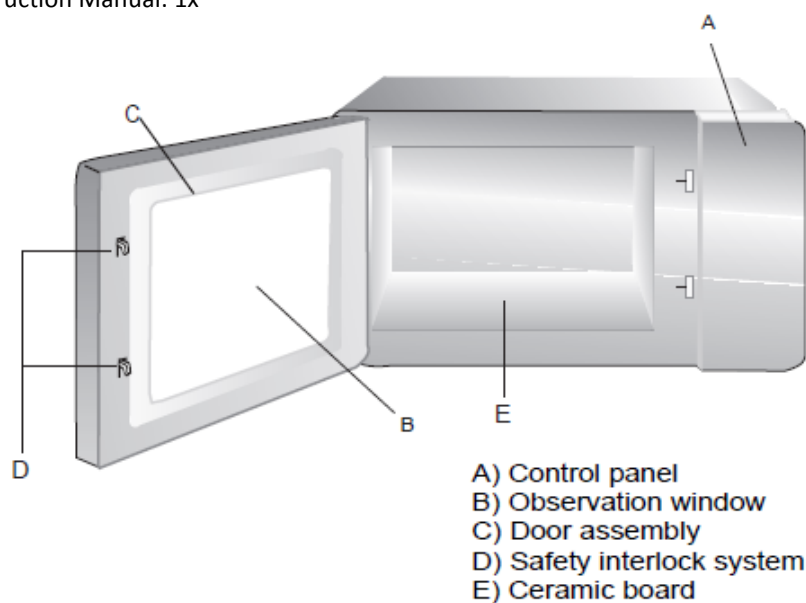
Setting up your oven

Names of Oven Parts and Accessories

Remove the oven and all materials from the carton and oven cavity.

Your oven comes with the following accessories:

Instruction Manual: 1x



Note:

- 1) Don't press the ceramic board forcibly.
- 2) Take and put the utensils gently during the operation in order to avoid damage to the ceramic board.
- 3) After using, don't touch the ceramic board by hand in order to avoid high temperature scald.

Countertop Installation

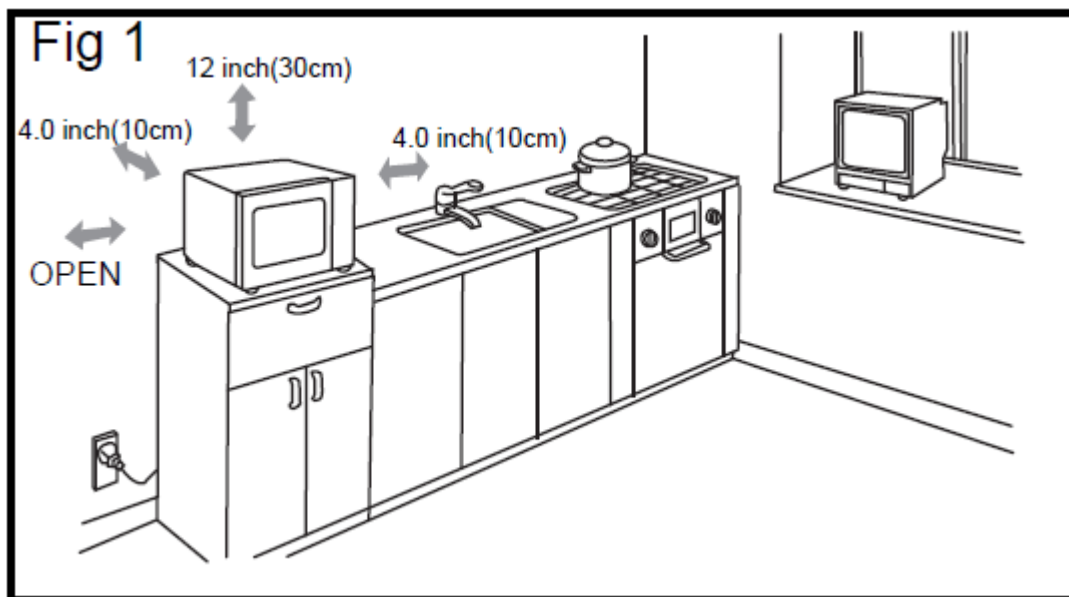
Remove all packing material and accessories.

Examine the oven for any damage such as dents or broken door. Do not install if oven is damaged.

Cabinet: Remove any protective film found on the microwave oven cabinet surface.

Installation

1. Select a level surface that provide enough open space for the intake and/or outlet vents(Figure1).



A 10cm spacing should be kept between the appliance and right and back walls and a 30cm spacing kept on the top. Never dismantle the appliance's feet, nor block the air intake and exhaust opening. The left side must be open.

- 1) Blocking the intake and/or outlet openings can damage the oven.
- 2) Place the oven as far away from radios and TV as possible. Operation of microwave oven may cause interference to your radio or TV reception.
- 3) Plug your oven into a standard household outlet. Be sure the voltage and the frequency is the same as the voltage and the frequency on the rating label.
- 4) Warning: The plug socket, electric appliances or the appliance which are liable effected by heat and moisture should be kept away from any vents on the oven.

Cleaning instructions

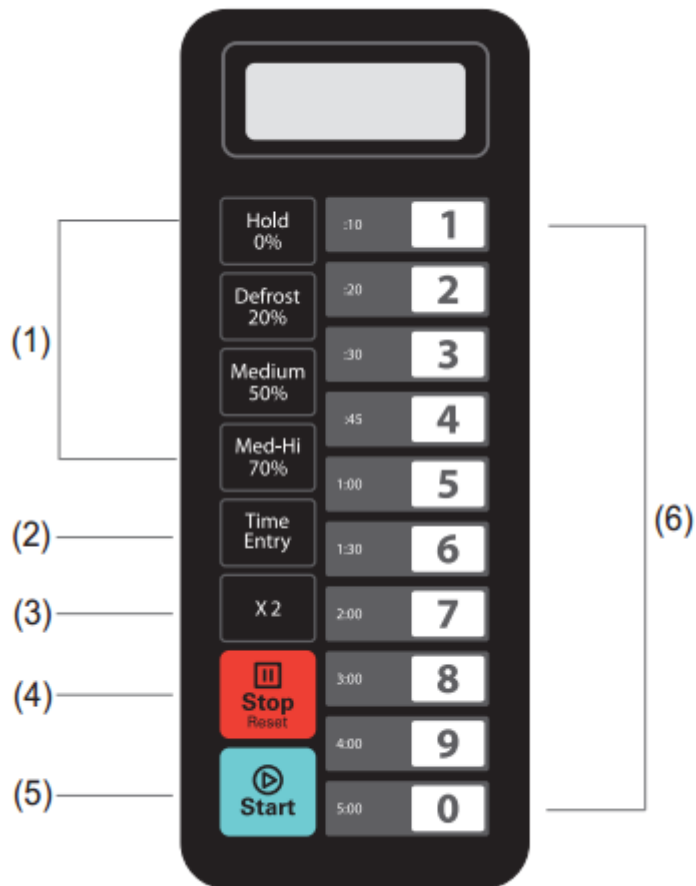
Always keep the oven clean

1. Cleaning the glass viewing window, the inner door panel and oven front face.
For best performance and to maintain the high degree of safety, the inner door panel and oven front face should be free of food or grease build-up. Wipe these parts with a mild detergent, rinse and wipe dry. Never use abrasive powders or pads.
2. Cleaning the control panel and plastic parts.
Do not apply a detergent or an alkaline liquid spray to the control panel and plastic parts, as this may cause damage to these parts. Use a dry cloth (not a soaked cloth) to clean these parts.
3. Cleaning the oven interior
After use be sure to clean up spilled liquids, spattered oil and food debris as quickly as possible. If the oven is used when dirty, efficiency drops and the dirt gets stuck on the oven surface and may cause bad odours. Clean the interior with a cloth soaked in lukewarm water with a mild detergent dissolved in it, then rinse the soap off with a damp cloth.

CAUTION: Do Not wipe plastic and painted sections of the oven with bleach, thinners or other cleaning agents, as this may cause these parts to dissolve or change sharp.

Operation

Control Panel and Features



- 1) Power Buttons
- 2) Time Entry Button
- 3) Double Quantity Button
- 4) Stop/Reset Button
- 5) Start Button
- 6) Number Keyboard

Operation instruction

Five power levels are available.

| | | | | | |
|---------|------|---------|------|---------|------|
| Level | High | M. High | Med. | Defrost | Hold |
| Power | 100% | 70% | 50% | 20% | 0% |
| Display | PL10 | PL7 | PL5 | PL2 | PL0 |

Appendix. A User Options

Items bolded below are the default values.

| Option | Setting | Description |
|-------------------------|---------|-------------------------------|
| 1 EOC Tone | OP:10 | 3 seconds beep |
| | OP:11 | Continuous beep |
| | OP:12 | 5 quick beeps, Repeating |
| 2 Beeper Volume | OP:20 | Beeper Off |
| | OP:21 | Low |
| | OP:22 | Medium |
| | OP:23 | High |
| 3 Beeper On/Off | OP:30 | Key beep Off |
| | OP:31 | Key beep On |
| 4 Keyboard Window | OP:40 | 15 seconds |
| | OP:41 | 30 seconds |
| | OP:42 | 60 seconds |
| | OP:43 | 120 seconds |
| 5 On the Fly | OP:50 | On-the-Fly Disable |
| | OP:51 | On-the-Fly Enable |
| 6 Door Reset | OP:60 | Door reset Disable |
| | OP:61 | Door Reset Enable |
| 7 Max Time | OP:70 | 60 Minute Maximum Cook Time |
| | OP:71 | 10 Minute Maximum Cook Time |
| 8 Manual Programming | OP:80 | Manual Programming Disable |
| | OP:81 | Manual Programming Enable |
| 9 Double Digit | OP:90 | Single Digit Mode-10 programs |
| | OP:91 | Double Digit Mode-10 programs |

Appendix. B Default Cook Times

The oven shall ship with the following Pre-set Cook Times unless otherwise noted in the product Specification.

| Button | Display (time) | Power | Cook Factors |
|--------|----------------|-------|--------------|
| 1 | 0:10 | 100% | 80% |
| 2 | 0:20 | 100% | 80% |
| 3 | 0:30 | 100% | 80% |
| 4 | 0:45 | 100% | 80% |
| 5 | 1:00 | 100% | 80% |
| 6 | 1:30 | 100% | 80% |
| 7 | 2:00 | 100% | 80% |
| 8 | 3:00 | 100% | 80% |
| 9 | 4:00 | 100% | 80% |
| 0 | 5:00 | 100% | 80% |

1. Power up

"-----" displays when the oven is electrified for the first time. If "□" button pressed, the oven will change to idle mode. Note: Under idle mode, no button can be pressed.

2. Idle Mode

- 1) Entry. The oven shall enter idle mode after a set of seconds have expired in Ready Mode without a keyboard press or a door open and close. The number of seconds is determined by the keyboard Timeout Window, set by User Option 4.
- 2) During idle mode, LED is blank. And there shall be no oven activity.
- 3) Opening and then closing the oven door, the oven will exit the idle mode and into ready mode.

3. Ready Mode

- 1) In this mode, the oven is ready to either begin a manual or pre-set cook cycle.
- 2) During Ready Mode, "0:00" displays.
- 3) From the Ready Mode, the oven can go to almost all of the other modes.
- 4) Only the fan and lamp work.

4. Door Open Mode

- 1) While the door of the oven is open, the oven shall be in Door Open Mode.
- 2) During this mode, LED is blank. And the fan and oven lamp work.
- 3) When the door is closed, if User Option OP:60 is selected and the oven was running a manual or pre-set cook cycle, the oven shall enter Pause Mode. In all other cases, the oven shall return to Mode with User Option OP:61 set, opening and closing the door will clear out any information about a Manual or Pre-set Program which was running.

5. Pause Mode

- 1) This mode allows the users to temporarily stop the cooking cycle to inspect or stir the food item.
- 2) While in Manual Cook Mode, or Pre-set Program Cook Mode, if the door is open or closed, or if the "□" pad is pressed, the oven will enter Pause Mode.
- 3) While paused, LED will display the remaining cooking time.
- 4) Only fan and lamp work.
- 4) Pause Mode will expire back to Idle Mode in the exact fashion as Ready Mode, dependent on User Option 4. Additionally, if the "□" button is pressed, the oven shall immediately enter Ready Mode. OR if press "▶" button, the oven will go into working mode.

6. Manual Cook Entry mode

- 1) The user may manually enter a cook time and power level while in this mode.
- 2) While the oven is in the Ready Mode, pressing the "Time Entry" pad on the keyboard will put the oven into Manual Cook Entry Mode.
- 3) During this mode, "00:00" displays, input the time you need.
- 4) If you press "Hold 0% ", "Defrost 20%", "Medium 50%" or "Med-Hi 70%" button to select power level, the screen will display the related power. If the same button pressed twice, the power will change to PL10. If no power chosen, "PL 0" is default.
- 5) During setting process, press "▶" to enter Manual Cook Mode. Press "□" to enter Ready Mode.

7. Manual Cook Mode

- 1) This mode allows cooking of the food items. While in Manual Cook Entry Mode, pressing the "▶" pad will cause to the oven to begin Manual Cook Mode.
- 2) During this mode, remaining cooking time displays. The fan and oven lamp will work.
- 3) When cooking program finish, the oven will enter End of Cook Cycle Mode. If you press "□" button under this mode, the oven will enter Pause Mode.

8. End of Cook Cycle Mode

- 1) After the time has expired in a Manual Cook Mode, or a Pre-set Program Cook Mode, the oven shall go into The End of Cook Cycle Mode.
- 2) During this mode, "END" displays.
- 3) If either User Option OP:11 or "OP:12" is selected, the oven shall continue to sound until the user acknowledges this by either opening and closing the door or pressing the "□" pad. If User Option OP:10 is selected, after the 3 second beep, the oven shall go into Idle Mode.

9. Pre-set Program Cook Mode

- 1) This mode allows cooking of food items through a one pad touch operation. While in Ready Mode, pressing one of ten digit keys on the keyboard will cause the oven to run the Pre-set Program associated with that key.
- 2) During this mode, displays the remaining cooking time. If it is multi-stage cooking, the total remaining cooking time displays not a particular stage cooking time.
- 3) When cooking program finish, the oven will enter End of Cook Cycle Mode. If you press "□" button under this mode, the oven will enter Pause Mode.

10. On the Fly Cooking

- 1) While the oven is cooking, if User Option OP:51 is selected, press number buttons, the pre-set cooking program will start automatically.
- 2) The screen displays the remaining cooking time.
- 3) When cooking program finish, the oven will enter End of Cook Cycle Mode. If you press "□" button under this mode, the oven will enter Pause Mode.

11. Programming Mode

This mode allows the user to assign cook times and power levels to the once touched button.



- 1) Open the door and press "1" pad for 5 seconds, the buzzer will sound once and enter to Programming Mode.
- 2) "ProG" displays. You can press number keys to input the time you need.
- 3) Press "Hold 0%", "Defrost 20%", "Medium 50%" or "Med-Hi 70%" to input the power level. The screen will display the related power. If the same button pressed twice, the power will change to PL10. If no power chosen, "PL 0" is default. NOTE: Set the time first, then choose the power.
- 4) To change the cooking factors: If press "X2", the screen will display "CF:XX". The default factor is 80%. "CF:80" displays. If you need to change the cooking, just press one the number buttons to set.
- 5) After setting the time and power, press "▶", the cooking program will be saved. When the program saved, "ProG" displays.
- 6) If all the cooking time exceeds the MAX. time User Option 7, when press "▶" to save the program, the buzzer will sound three times briefly to tell you the time is no use. And then turns back to display "ProG". The time set before will be no change.
- 7) Close the door, the oven will turn back to Ready Mode. If press "□" button during setting process, the oven turn to Door Open Mode. The program that not saved will be lost. If there is program saved as memory procedure, press the related number button, the saved program will start. If no saved program, the buzzer will alarm when pressing number button and it will not work. For example: set the program as memory cooking. Power level PL7 and cooking time is 1 minute and 25 seconds.
Step 1: In ready mode, press number button "1" for 5 seconds, "ProG" displays.
Step 2: Press number button "3", the screen will display "P:03", after two seconds, the screen will display the related time ":30".
Step 3: Press number buttons "1", "2" and "5" to input the cooking time.
Step 4: Press "Med-Hi/70%" button, "PL7" displays. Setting finished.
Step 5: Press "▶" to save. When use the program next time, just press "3", the related program will start.
Note:
 1. If the electricity is cut off, the saved program will not be lost.
 2. If the program needs to reset, just repeat the above steps.
 3. If press "□" at the last step, it will turn back to Ready Mode. The setting will be no use.

12. Double Quantity cooking



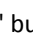
- 1) Through the use of the X2 pad, the user can easily set the time two of a particular food item.
- 2) If the "X2" button is pressed in ready mode, followed by the starting of a Pre-set Program, or if the "X2" button is pressed in 5 seconds of starting a Pre-set Program, the oven will start cooking with the quantity pre-set cooking time.
- 3) Press "X2", "DOUBLE" displays. When press number buttons, the screen will display the quantity pre-set time. For example, number button "5" and its pre-set time is 1 minute. Then press "X2", then time will change to $1:00 \times (1+0.8) = 1:48$ (1 minute and 48 seconds).
- 4) When cooking program finish, the oven will enter End of Cook Cycle Mode.

13. Stage Cooking Programming

This allows the user to cook food items at manual cook mode and programming mode.

- 1) Three stages can be set at most under cooking mode or programming mode. After setting the power and time for the first stage, press " Time Entry " to set the second stage. And the same step to set the third stage.
- 2) When setting the second, third stage, press " Time Entry ", "S-2", "S-3" displays.
- 3) Press "  " button to start cooking.
Example: In programming mode, press number buttons "3" to set two stages cooking. The first stage is PL 7 and time is 1 minute 25 seconds. The second stage is PL5 and 5 minutes and 40 seconds. The steps are as follows:
 - a. **Ready state**, press number button "1" for 5 seconds, " ProG " displays.
 - b. Press number button "3", the screen will display "P:03", after two seconds, the screen will display the related time " :30".
 - c. Press "1", "2", "5" to input the cooking time. "1:25" displays.
 - d. Press "Med-Hi 70%", "PL7" displays. The first stage is finished.
 - e. Press " Time Entry ", "S-2" displays.
 - f. Press "5", "4", "0" button, "5:40" displays.
 - g. Press "Medium 50%", "PL5 " displays. The second stage is finished.
 - h. Press "  " button to start cooking.
 - i. The total time counts down.

14. Use Option Mode

- 1) Open the oven door and press "2" for 5 seconds. The buzzer sounds once and enters this mode.
- 2) The screen displays "OP: - -".
- 3) Press any number button to enter related mode setting. For example: to set the voice of the buzzer to medium. Press " 2 ", "OP:22" displays. If you want to change, keep pressing "2", LED displays "OP:20", "OP:21", "OP:22", "OP:23", "OP:20"in cycle.
- 4) Press "  " to save the current setting. After saved, "OP: - -" display again.
- 5) During setting process, press "  " to enter Door Open Mode. Close the door will enter Ready Mode.
- 6) If "  " button not pressed at the last step, the program cannot be saved but stay at previous way.

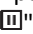
15. Service Mode

- 1) Open the oven door and press "3" pad for 5 seconds to enter service mode.
- 2) The screen displays "SERVICE".
- 3) To check the times of closing or opening the door, just press number button "3", the screen will display the times.
- 4) Press " 1 " pad for Tube Hours.
Press " 2 " pad for Tube Cycles.
Press " 3 " pad for Door Cycles..
Press " 4 " pad to Clear service information.

Only for some models:

Press " 5 " pad to run Top Mag. Oven displays amps.

Press " 6 " pad to run Bottom Mag. Oven displays amps.

- 5) Press "  " to enter Door Open Mode. Close the door will enter Ready Mode.

16. Inquiry function

During microwave cooking process, press "Time Entry " to check the power level. LED display the power for 3 seconds then turn back to previous state. It is available for multi-stage cooking.

17. Factory-default setting

In the Ready Mode, pressing "▶" and "0" to factory-default setting.

1) Press "▶" and "0", the buzzer sounds once, and the screen will display "CHECK". If it is factory-default setting, will display 11, after three seconds, the oven turn to the ready mode Press "▶". to cancel the display and back to ready back in the process of display. If not in the factory-default setting, the screen will display "00", press "▶" to the factory-default setting, the screen will display "11" or "00".

2) Do not press "▶" when the display "00", the setting will cancel.

Note: Be careful in the operation as it will restore all configure to factory-default setting.

Troubleshooting

| Normal | |
|--|--|
| Microwave oven interfering TV reception | Radio and TV reception may be interfered when microwave oven operating. It is similar to the interference of small electrical appliances, like mixer, vacuum cleaner and electric fan. It is normal. |
| Dim oven light | In low power microwave cooking, oven light may become dim. It is normal. |
| Steam accumulating on door, hot air out of vents | In cooking, steam may come out of food. Most will get out from vents. But some may accumulate on cool place like oven door. It is normal. |
| Oven started accidentally with no food in | It is forbidden to run the unit without any food inside. It is very dangerous. |

| Problem | Possible cause | Remedy |
|-------------------------|---------------------------------------|--|
| Oven cannot be started. | Power cord not plugged in tightly | Unplug. Then plug again after 10 seconds. |
| | Fuse blowing or circuit breaker works | Replace fuse or reset circuit breaker (repaired by professional personnel of our company). |
| | Trouble with outlet | Test outlet with other electrical appliances. |
| Oven does not heat. | Door not closed well | Close door well. |



According to Waste of Electrical and Electronic Equipment (WEEE) directive, WEEE should be separately collected and treated. If at any time in future you need to dispose of this product please do NOT dispose of this product with household waste. Please send this product to WEEE collecting points where available.

Lees deze gebruiksaanwijzing grondig door voordat u de magnetron gebruikt en bewaar ze zorgvuldig.

Als u de instructies volgt, zal uw oven u vele jaren goede service verlenen.

BEWAAR DEZE INSTRUCTIES ZORGVULDIG

Voorzorgsmaatregelen om mogelijke blootstelling aan overmatige microgolven te vermijden

(a) Probeer deze oven niet te bedienen met de deur open, omdat dit kan leiden tot schadelijke blootstelling aan microgolven. Het is belangrijk om niet te breken of te manipuleren met de veiligheidsinterlocken.

(b) Plaats geen voorwerp tussen de voorkant van de oven en de deur of laat de bodem of reinigingsresiduen op de afdichtvlakken ophopen.

(c) **WAARSCHUWING:** Als de deur- of deurafdichtingen beschadigd zijn, mag de oven niet worden gebruikt totdat het door een bevoegde persoon is gerepareerd.

Appendix

Als het apparaat niet in goede staat blijft, kan het oppervlak afbreken en de levensduur van het apparaat wordt beïnvloed wat leidt tot een gevaarlijke situatie.

Specificaties

| | |
|--|------------------|
| Model: | 7455.1662 |
| Nominale spanning: | 230V~50Hz |
| Nominaal ingangsvermogen (Microgolf): | 1550W |
| Nominaal uitgangsvermogen (Microgolf): | 1000W |
| Ovencapaciteit: | 25L |
| Externe Afmetingen: | 511x432x311mm |
| Netto Gewicht: | Ongeveer 14,7 kg |

Belangrijke veiligheidsinstructies

WAARSCHUWING

Om het risico op brand, elektrische schokken, persoonlijk letsel of blootstelling aan overmatige magnetronoven energie bij het gebruik van uw apparaat te verminderen, moet u de basisvoorzorgsmaatregelen volgen, inclusief het volgende:

1. Waarschuwing: Vloeistoffen en andere voedingsmiddelen mogen niet in gesloten containers worden verwarmd, omdat ze kunnen ontploffen.
2. Waarschuwing: Het is gevaarlijk voor iemand anders dan een bevoegde persoon om een service- of reparatieprocedure uit te voeren die betrekking heeft op het verwijderen van een afdekking die bescherming biedt tegen blootstelling aan microgolven.
3. Gebruik alleen gereedschap die geschikt is voor gebruik in magnetronovens.
4. De oven moet regelmatig worden gereinigd en eventuele voedselafzettingen moeten verwijderd worden.
5. Lees en volg dit specifiek: "VOORZORGSMAATREGELEN OM MOGELIJKE BLOOTSTELLING TE BEWIJZEN VOOR TEVEEL MICROGOLF ENERGIE".
6. Bij het verwarmen van voedsel in plastic of papiercontainers, houd de oven in de gaten vanwege de mogelijkheid tot ontsteking.

7. Als rook wordt waargenomen, schakel het toestel uit of haal de stekker uit en hou de deur dicht om de vlammen te verstikken.
8. Eieren in hun schelp en gehele hardgekookte eieren mogen niet in magnetronovens worden verwarmd, omdat ze kunnen exploderen, zelfs nadat de magnetronverwarming is beëindigd.
9. Als het netsnoer beschadigd is, moet deze vervangen worden door de fabrikant, diens serviceagent of gelijkwaardige personen om gevaar te voorkomen.
10. Het niet in stand houden van de oven in een goede staat kan leiden tot verslechtering van het oppervlak dat de levensduur van het apparaat nadelig kan beïnvloeden en mogelijk gevaarlijke situaties kan veroorzaken.
11. Waarschuwing: De inhoud van voedingsflessen en babyvoedingskruiken wordt geroerd of geschud en de temperatuur wordt gecontroleerd voor gebruik, om brandwonden te vermijden.
12. Waarschuwing: Microgolfverwarming van dranken kan resulteren in vertraagde uitbarstingskoken, daarom moet er rekening worden gehouden bij het hanteren van de container.
13. Dit apparaat kan worden gebruikt door kinderen vanaf 8 jaar en ouder en personen met een verminderde fysieke, zintuiglijke of mentale capaciteit of gebrek aan ervaring en kennis als zij op een veilige manier toezicht of instructies hebben gegeven over het gebruik van het apparaat en begrijpen de gevaren die hierbij betrokken zijn. Kinderen zullen niet spelen met het apparaat. Schoonmaak en onderhoud van de gebruiker worden niet door kinderen zonder toezicht uitgevoerd.
14. Waarschuwing: Zorg ervoor dat het apparaat is uitgeschakeld voordat u de lamp vervangt om te voorkomen dat er elektrische schokken ontstaan.

LEES ZORGVULDIG EN BEWAAR VOOR TOEKOMSTIGE REFERENTIE

Het risico op letsel aan personen verminderen

Aarding Installatie

Gevaar

Elektrische schokgevaar

Het aanraken van een aantal interne componenten kan ernstig letsel of dood veroorzaken. Demonteer dit apparaat niet.

Waarschuwing

Elektrische schokgevaar

Onjuist gebruik van de aarding kan leiden tot elektrische schokken. Steek de stekker niet in de stopcontact voordat het apparaat op de juiste wijze is geïnstalleerd en geaard.

Reiniging

Zorg ervoor dat u het apparaat uit de stopcontact trekt.

1. Maak de binnenkant van de oven schoon na gebruik met een licht vochtige doek.
2. Reinig de accessoires op de gebruikelijke manier in zeepwater.
3. Het deurframe en de afdichting en de naburige onderdelen moeten met een vochtige doek zorgvuldig worden gereinigd wanneer ze vuil zijn.

Dit toestel moet geaard zijn. Bij een elektrische kortsluiting vermindert de aarding het risico op elektrische schokken door een ontsnappingsdraad voor de elektrische stroom te leveren. Dit toestel is uitgerust met een koord met een aardingsstrade met een aardingsstop. De stekker moet in een stopcontact worden aangesloten die goed geïnstalleerd en geaard is.

Raadpleeg een gekwalificeerde elektricien of servicemanager als de aardingsinstructies niet helemaal worden begrepen of als er twijfel bestaat over de juiste aarding van het apparaat. Als u een verlengsnoer nodig hebt, gebruik dan alleen een 3-draads verlengsnoer.

1. Er is een kort netsnoer geleverd om de risico's te verminderen die worden veroorzaakt door verstopping in of uit te trekken over een langere kabel.

2. Als u een lang snoer of verlengsnoer gebruikt:

1) De gemarkeerde elektrische waarde van het snoer of verlengsnoer moet minstens zo groot zijn als de elektrische aansluiting van het apparaat.

2) Het verlengsnoer moet een aardingstype 3-ledig koord zijn.

3) Het lange koord dient zo te worden geregeld dat het niet over de balie of tafelblad kan trekken, waar het door kinderen kan worden getrokken of onbedoeld overgeslagen wordt.

Opgepast

Persoonlijk Letsel Gevaar

Het is gevaarlijk voor iemand anders dan een bekwaam persoon om een service of reparatie uit te voeren die de verwijdering van een deksel omvat die bescherming biedt tegen blootstelling aan microgolvenenergie.

Raadpleeg de instructies over "Materialen die u in de magnetron kunt gebruiken of in de magnetron vermeden moet worden." Er kunnen bepaalde niet-metallische gereedschappen zijn die niet veilig kunnen worden gebruikt voor microgolf. Als u twijfelt, kunt u het betreffende gereedschap testen volgens de onderstaande procedure.

Gereedschapstest:

1. Vul een magnetron-veilige container met 1 kop koud water (250 ml) samen met het betreffende gereedschap.

2. Kook op maximaal vermogen gedurende 1 minuut.

3. Voel het gereedschap voorzichtig. Als het lege gereedschap warm is, gebruik het niet voor het koken van de magnetron.

4. Ga niet verder dan 1 minuut kooktijd.

Materialen die u in de magnetron kunt gebruiken

| Gereedschap | Opmerkingen |
|---------------------------|--|
| Aluminiumfolie | Alleen afscherming. Kleine, gladde stukken kunnen gebruikt worden om dunne vlees of pluimvee te bedekken om te voorkomen dat ze te gaar worden. Arcing kan optreden als de folie te dicht bij de ovenmuren ligt. De folie moet tenminste 1 inch (2,5 cm) verwijderd zijn van de ovenmuren. |
| Ovenschotel | Volg de instructies van de fabrikant. De onderkant van de bruine schotel moet op de keramische plaat vlot geplaatst worden. Onjuist gebruik kan ervoor zorgen dat de keramische plank breekt. |
| Servies | Alleen magnetron-safe. Volg de instructies van de fabrikant. Gebruik geen gebarsten of gesneden gerechten. |
| Glazen potten | Verwijder deksel altijd. Gebruik alleen om het voedsel te verwarmen tot het gewoon warm is. De meeste glazen potten zijn niet hittebestendig en kunnen breken. |
| Glaswerk | Alleen hittebestendige ovenglaswerk. Zorg ervoor dat er geen metallic trim is. Gebruik geen gebarsten of gesneden gerechten. |
| Oven kookzakken | Volg de instructies van de fabrikant. Sluit niet met metalen das. Maak spleten om stoom te kunnen ontsnappen. |
| Papieren borden en kopjes | Gebruik alleen voor korte koken / verwarming. Laat de oven niet onbewaakt staan tijdens het koken. |
| Papierhanddoeken | Gebruik om voedsel te bedekken voor het opnieuw verhitten en absorberen van vet. Gebruik uitsluitend toezicht voor een korte koken. |

| | |
|--------------|--|
| Perkament | Gebruik als deksel om splattering of een wrap te vermijden om te stomen. |
| Plastic | Alleen magnetron-safe. Volg de instructies van de fabrikant. Moet worden aangeduid als "Microwave Safe". Sommige plastic containers verzachten, aangezien het eten binnen warm wordt. "Kookzakken" en stevig gesloten plastic zakken moeten worden gesplitst, doorgestoken of ontvlucht, zoals aangegeven door het pakket. |
| Plasticfolie | Alleen magnetron-safe. Gebruik om het voedsel tijdens het koken te bedekken om vocht te behouden. Laat geen plastic wrap toe om voedsel aan te raken. |
| Thermometers | Alleen magnetron-safe (vlees- en snoepthermometers). |
| Waspapier | Gebruik als deksel om te voorkomen dat spatten en vocht vasthouden. |

Materialen die vermeden moeten worden in de magnetron

| Gereedschap | Opmerkingen |
|---|--|
| Aluminium lade | Kan bochten veroorzaken. Breng voedsel over in een magnetronkluis. |
| Voedsel doos met metalen handvat | Kan bochten veroorzaken. Breng voedsel over in een magnetronkluis. |
| Metaal of metalen versneden gereedschap | Metaal beschermt het voedsel tegen magnetische energie. Metalen bekleding kan bochten veroorzaken. |
| Metalen twistbanden | Kan bochten veroorzaken en kan brand in de oven veroorzaken. |
| Papieren zakken | Kan brand in de oven veroorzaken. |
| Plastic schuim | Plastic schuim kan de vloeistof binnendringen of verontreinigen wanneer deze blootgesteld wordt aan hoge temperaturen. |
| Hout | Hout zal uitdrogen wanneer deze in de magnetron wordt gebruikt en kan breken of scheuren. |

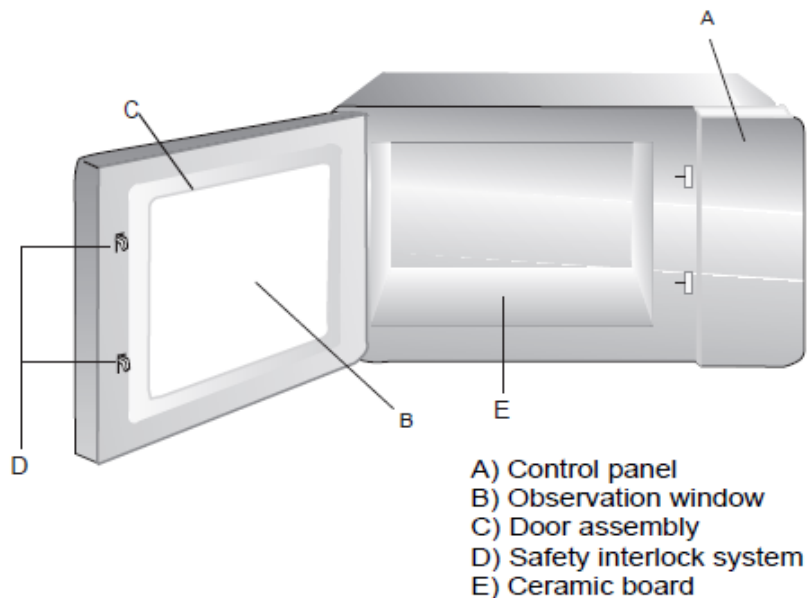
Uw oven instellen

Namen van Oven Onderdelen en Accessoires

Verwijder de oven en alle materialen uit de doos en de ovenholte.

Uw oven is voorzien van de volgende accessoires:

Handleiding: 1x



Opmerking:

1) Druk niet met de keramische plank.

2) Zet de gereedschap voorzichtig tijdens het gebruik om de schade aan het keramiekbord te vermijden.

3) Raak het keramische bord niet met de hand na gebruik, om te voorkomen dat de schuim met hoge temperaturen wordt vermeden.

Countertop Installatie

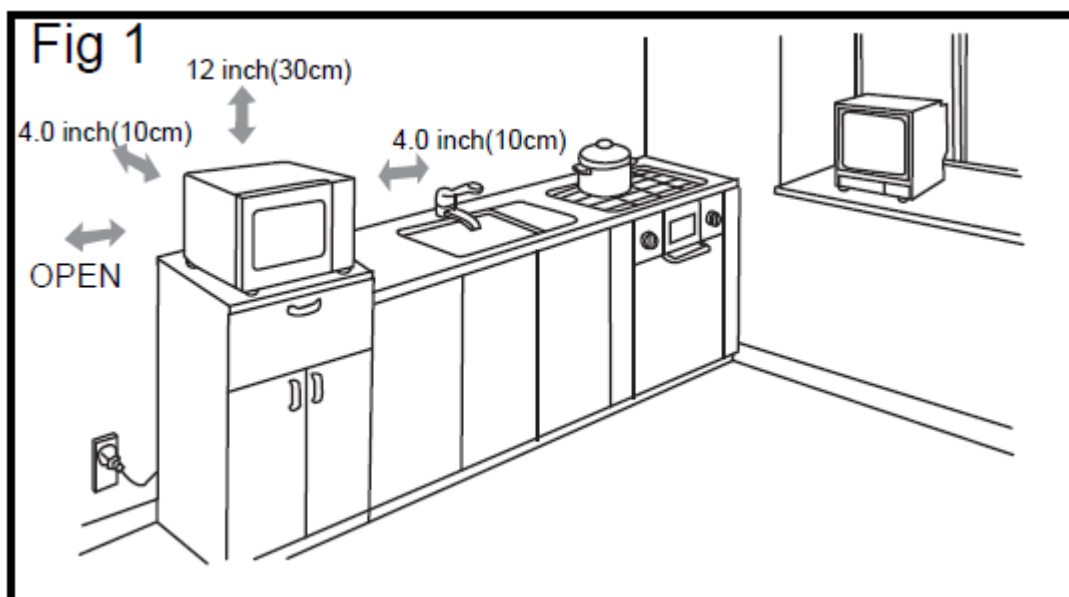
Verwijder alle verpakkingsmateriaal en accessoires.

Controleer de oven voor eventuele beschadigingen zoals deuken of gebroken deur. Niet installeren als de oven is beschadigd.

Kabinet: Verwijder eventuele beschermende film die op het oppervlak van de microgolfoven wordt gevonden.

Installatie

1. Selecteer een vlak oppervlak dat voldoende openruimte biedt voor de inlaat- en / of uitlaatopeningen (Figuur 1).



Een afstand van 10 cm tussen het apparaat en de rechter- en achterwanden en een afstand van 30 cm bovenop. Ontkoppel de voeten van het apparaat nooit, noch de luchtinlaat en de uitlaatopening blokkeren. De linkerkant moet open zijn.

- 1) Het blokkeren van de inlaat- en / of uitlaatopeningen kan de oven beschadigen.
- 2) Plaats de oven zo ver mogelijk van radio en tv. Het gebruik van een magnetron kan storingen veroorzaken aan uw radio of tv-ontvangst.
- 3) Steek uw oven in een standaard huishoudelijk stopcontact. Zorg ervoor dat de spanning en de frequentie hetzelfde zijn als de spanning en de frequentie op het label.
- 4) Waarschuwing: De stekker, elektrische toestellen of het apparaat dat door warmte en vocht wordt veroorzaakt, moet weggehouden worden van ventilaties op de oven.

Reinigingsinstructies

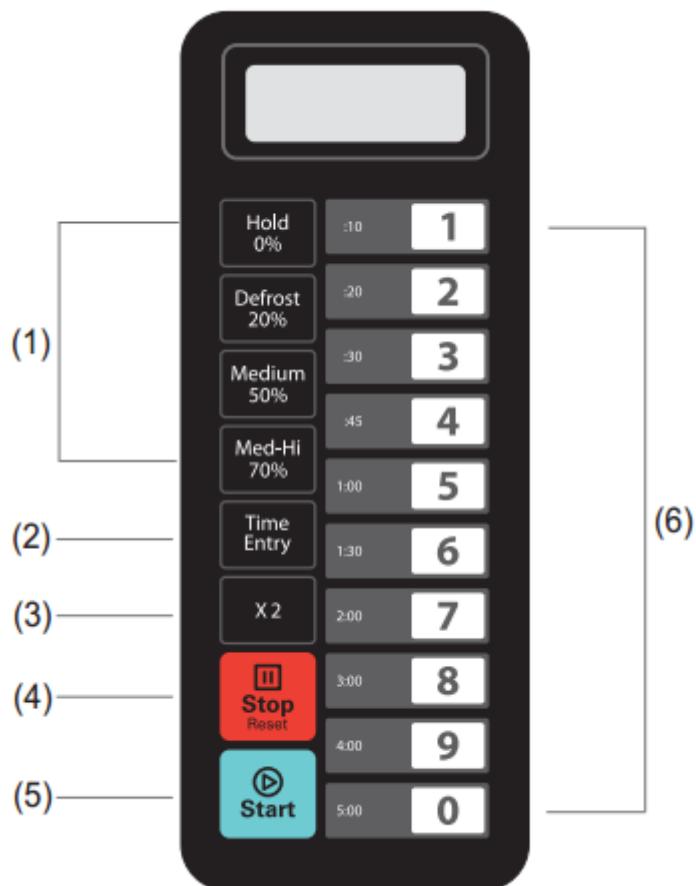
Houd de oven altijd schoon

1. Reiniging van het glazen kijkvenster, het binnenste deurpaneel en het voorkant van de oven.
Voor de beste prestaties en om de hoge mate van veiligheid te handhaven, moet het binnenste deurpaneel en het voorkant van de voorkant vrij zijn van voedsel of vetopbouw. Veeg deze onderdelen met een mild reinigingsmiddel, spoel en droog ze af. Gebruik nooit schurende poeders of pads.
2. Reiniging van het bedieningspaneel en plastic onderdelen.
Breng geen wasmiddel of alkalische vloeistofspray aan op het bedieningspaneel en plastic onderdelen, want dit kan beschadiging van deze onderdelen veroorzaken. Gebruik een droge doek (niet een doordrenkte doek) om deze onderdelen schoon te maken.
3. Het binnenhuis schoonmaken
Na gebruik moet u zo spoedig mogelijk gemorste vloeistoffen, spatterolie en voedselresten opruimen. Als de oven gebruikt wordt als het vies is, druppelt de efficiëntie en het vuil stopt op het ovenoppervlak en kan slechte geuren veroorzaken. Reinig het interieur met een doekje die in lucht warm water is bevochtigd met een mild reinigingsmiddel dat erin is opgelost, en doe de zeep af met een vochtige doek.

OPGEPAST: Verwijder niet plastic en geschilderde delen van de oven met bleekmiddel, verdunners of andere reinigingsmiddelen, omdat deze onderdelen scherp kunnen oplossen of veranderen.

Bediening

Bedieningspaneel en functies



- 1) Power Knoppen
- 2) Tijdtoets
- 3) Dubbele hoeveelheidknop
- 4) Stop/Reset Knop
- 5) Startknop
- 6) Nummertoeetsenbord

Bedieningsinstructie

Er zijn vijf vermogen niveaus beschikbaar.

| | | | | | |
|----------|------|---------|------|---------|------|
| Level | High | M. High | Med. | Defrost | Hold |
| Vermogen | 100% | 70% | 50% | 20% | 0% |
| Display | PL10 | PL7 | PL5 | PL2 | PL0 |

Bijlage. A Gebruikersopties
Items die hieronder zijn gedrukt, zijn de standaardwaarden.

| Optie | Instelling | Beschrijving |
|-----------------------------|------------|--------------------------------------|
| 1 EOC Toon | OP:10 | 3 seconden pieptoon |
| | OP:11 | Continu pieptoon |
| | OP:12 | 5 snelle pieptoon, herhalend |
| 2 Pieper Volume | OP:20 | Pieper Uit |
| | OP:21 | Laag |
| | OP:22 | Medium |
| | OP:23 | Hoog |
| 3 Pieper Aan/Uit | OP:30 | Keybeep Uit |
| | OP:31 | Keybeep Aan |
| 4 Toetsenbordvenster | OP:40 | 15 seconden |
| | OP:41 | 30 seconden |
| | OP:42 | 60 seconden |
| | OP:43 | 120 seconden |
| 5 Onderweg | OP:50 | Onderweg Uitgeschakeld |
| | OP:51 | Onderweg Ingeschakeld |
| 6 Deur Reset | OP:60 | Deur reset Uitgeschakeld |
| | OP:61 | Deur Reset Ingeschakeld |
| 7 Max Tijd | OP:70 | 60 Minuten Maximum Kooktijd |
| | OP:71 | 10 Minuten Maximum Kooktijd |
| 8 Handmatig programmeren | OP:80 | Handmatig Programmeren Uitgeschakeld |
| | OP:81 | Handmatig Programmeren Ingeschakeld |
| 9 Dubbele cijfers | OP:90 | Enkele Cijfers Modus-10 programma's |
| | OP:91 | Dubbele Cijfers modus-10 programma's |

Bijlage. B Standaard Kooktijden
De oven wordt verzonden met de volgende voorkeuzetijden, tenzij anders vermeld in de productspecificatie.

| Knop | Display (tijd) | Vermogen | Kook Factoren |
|------|----------------|----------|---------------|
| 1 | 0:10 | 100% | 80% |
| 2 | 0:20 | 100% | 80% |
| 3 | 0:30 | 100% | 80% |
| 4 | 0:45 | 100% | 80% |
| 5 | 1:00 | 100% | 80% |
| 6 | 1:30 | 100% | 80% |
| 7 | 2:00 | 100% | 80% |
| 8 | 3:00 | 100% | 80% |
| 9 | 4:00 | 100% | 80% |
| 0 | 5:00 | 100% | 80% |

1. Power up

"-----" wordt weergegeven wanneer de oven voor de eerste keer wordt geëlektrificeerd. Als de knop "☐" ingedrukt wordt, verandert de oven in de ruststand. Opmerking: in de standby-stand kan er geen knop ingedrukt worden.

2. Inactieve modus

- 1) Toegang. De oven zal in de ruststand gaan nadat een aantal seconden in de modus Klaar is verlopen, zonder een toetsenbord of een deur open en dicht te sluiten. Het aantal seconden wordt bepaald door het Time-out venster van het toetsenbord, ingesteld door Gebruikers optie 4.
- 2) In de rustmodus, LED is leeg. En er zal geen oven activiteit zijn.
- 3) Open en sluit de oven deur, de oven gaat uit in de ruststand en in de ready mode.

3. Klaar modus

- 1) In deze modus is de oven klaar om een handmatige of vooraf ingestelde kookcyclus te starten.
- 2) In de modus Klaar wordt "0:00" weergegeven.
- 3) In de Klaar modus kan de oven naar bijna alle andere modi gaan.
- 4) Alleen de ventilator en lamp werken.

4. Deur open modus

- 1) Terwijl de deur van de oven open is, staat de oven in de deur open modus.
- 2) In deze modus, LED is leeg. En de ventilator en ovenlamp werken.
- 3) Als de deur gesloten is, als de gebruiker optie OP: 60 is geselecteerd en de oven een handmatig of vooraf ingestelde kookcyclus heeft uitgevoerd, gaat de oven in de pauze modus. In alle andere gevallen gaat de oven terug naar de modus met gebruikersoptie OP:61 instellen, openen en sluiten van de deur zal alle informatie over een handmatig of vooraf ingestelde programma wissen.

5. Pauze modus

- 1) Met deze modus kunnen de gebruikers de kookcyclus tijdelijk stoppen om het voedselartikel te inspecteren of roeren.
- 2) In de modus Handmatig koken, of de voorgeprogrammeerde Cook modus, als de deur open of gesloten is of als het "☐" pad wordt ingedrukt, gaat de oven in de pauzestand.
- 3) Tijdens pauze wordt de resterende kooktijd weergegeven.
- 4) Alleen ventilator en lamp werken.
- 4) De pauzestand verloopt terug in de inactieve modus op de precieze manier als Klaarmodus, afhankelijk van User Option 4. Bovendien, als de knop "☐" wordt ingedrukt, komt de oven onmiddellijk in de Klaarmodus. OF als u op de knop "▶" drukt, gaat de oven in de werkmodus.

6. Handmatige Cook Invoer modus

- 1) De gebruiker kan handmatig een kooktijd en vermogensniveau invoeren in deze modus.
- 2) Terwijl de oven in de modus Klaar is, drukt u op de knop "Tijdtoets" op het toetsenbord de oven in de Handmatige Cook Entry Mode.
- 3) In deze modus verschijnt "00:00", voer de gewenste tijd in.
- 4) Als u op 'Houd 0%', 'Defrost 20%', 'Medium 50%' of 'Med-Hi 70%' drukt om het vermogensniveau te selecteren, wordt het bijbehorende vermogen weergegeven. Als dezelfde toets tweemaal ingedrukt wordt, verandert het vermogen naar PL10. Als er geen stroom gekozen is, is "PL 0" standaard.
- 5) Druk tijdens het instellen op "▶" om de handmatige kookmodus in te voeren. Druk op "☐" om de Klaar modus in te voeren.

7. Handmatige kookstand

- 1) Met deze modus kunt u de voedselproducten koken. In de handmatige Cook Entry Mode, door op het "▶" pad te drukken, zal de oven de handmatige kookmodus starten.
- 2) In deze modus wordt de resterende kooktijd weergegeven. De ventilator en de ovenlamp branden.
- 3) Bij het afronden van de kookprogramma komt de oven in de einde van de kookcyclusmodus. Als u in deze modus op de knop "□" drukt, gaat de oven in de pauze modus.

8. Einde van Cook Cycle Mode

- 1) Nadat de tijd is verlopen in een handmatige kookstand of een voorgeprogrammeerde kooktoestand, gaat de oven naar de einde van de kookcyclusmodus.
- 2) In deze modus verschijnt "END".
- 3) Als de optie OP: 11 of "OP: 12" is geselecteerd, zal de oven blijven klinken totdat de gebruiker dit herkent door de deur te openen of te sluiten of de "□" toets te drukken. Als de gebruikers optie OP: 10 is geselecteerd, gaat de oven na de 3 second piep in de standby-modus.

9. Voorgeprogrammeerde Cook Mode

- 1) Met deze modus kunt u koken van voedselpunten koken door middel van een enkele aanraking. Terwijl u in de modus Klaar drukt, drukt u op een van de tien cijfertoetsen op het toetsenbord dat de oven het voorkeuzeprogramma dat met die toets wordt geassocieerd, kan uitvoeren.
- 2) In deze modus geeft u de resterende kooktijd weer. Als het in meerdere fasen kookt, geeft de totale resterende kooktijd niet een bepaalde kooktijd voor het stadium.
- 3) Bij het afronden van de kookprogramma komt de oven in de einde van de kookcyclusmodus. Als u in deze modus op de knop "□" drukt, gaat de oven in de pauze modus.

10. Onderweg Koken

- 1) Als de oven kookt, is de optie OP: 51 geselecteerd, druk op de cijfertoetsen, het voorgeprogrammeerde kookprogramma start automatisch.
- 2) Op het scherm wordt de resterende kooktijd weergegeven.
- 3) Bij het afronden van de kookprogramma komt de oven in de einde van de kookcyclusmodus. Als u in deze modus op de knop "□" drukt, gaat de oven in de pauze modus.

11. Programmeringsmodus

Met deze modus kan de gebruiker de kooktijden en de vermogensniveaus toewijzen aan de eenmaal aangeraakte knop.

- 1) Open de deur en druk 5 seconden op "1" pad, de zender klinkt eenmaal en gaat naar de Programmeringsmodus.
- 2) "PROGRAMMA" verschijnt. U kunt op de cijfertoetsen drukken om de gewenste tijd in te voeren.
- 3) Druk op Houd 0% ", " Ontdooi 20% ", " Medium 50% "of" Med-Hi 70% "om het vermogensniveau in te voeren. zal veranderen naar PL10. Als er geen stroom gekozen is, is "PL 0" standaard. OPMERKING: Stel de tijd eerst in en kies de stroom.
- 4) Om de kookfactoren te wijzigen: Als u op "X2" drukt, verschijnt op het scherm "CF: XX". De standaardfactor is 80%. "CF:80" displays. Als u de koken wilt veranderen, druk gewoon op een van de cijfertoetsen die u wilt instellen.
- 5) Nadat u de tijd en het vermogen hebt ingesteld, drukt u op "▶", het kookprogramma wordt opgeslagen. Wanneer het programma is opgeslagen, wordt 'PROGRAM' weergegeven.
- 6) Als alle kooktijden de MAX overschrijden. tijd User Option 7, wanneer u op "▶" drukt om het programma op te slaan, klinkt de zoemer drie keer kort om u te vertellen dat de tijd niet in gebruik is. En dan draait u weer om "PROGRAMMA" weer te geven. De voorgaande tijd is geen verandering.
- 7) Sluit de deur, de oven gaat terug naar de Klaarmodus. Als u tijdens het instelproces op "□" toets drukt, gaat de oven naar de deur open modus. Het programma dat niet is opgeslagen, zal verloren gaan. Als er een programma is opgeslagen als geheugenprocedure, drukt u op de bijbehorende cijfertoets, het opgeslagen programma wordt gestart. Als er geen opgeslagen programma is, zal de zoemer wekken als u op de cijfertoets drukt en het zal niet werken. Bijvoorbeeld: stel het programma in als geheugenkoken. Power level PL7 en kooktijd is 1 minuut en 25 seconden.

Stap 1: In Klaar modus, druk de cijfertoets "1" gedurende 5 seconden, "PROGRAM" wordt weergegeven.

Stap 2: Druk op de cijfertoets "3", op het scherm verschijnt "P: 03". Na twee seconden verschijnt op het scherm de betreffende tijd ": 30".

Stap 3: Druk op de cijfertoetsen "1", "2" en "5" om de kooktijd in te voeren.

Stap 4: Druk op de "Med-Hi / 70%" knop, "PL7" displays. Instelling klaar.

Stap 5: Druk op "▶" om op te slaan. Wanneer u het programma de volgende keer gebruikt, druk gewoon op "3", het bijbehorende programma zal starten.

Opmerking:

1. Als de stroom is afgesneden, zal het opgeslagen programma niet verloren gaan.
2. Herhaal de bovenstaande stappen als het programma moet worden gereset.
3. Als u tijdens de laatste stap op "□" drukt, gaat het terug naar de modus Klaar. De instelling is niet van toepassing.

12. Dubbele hoeveelheid koken

1) Door het gebruik van het X2-pad kan de gebruiker de tijd twee van een bepaald voedingsartikel gemakkelijk instellen.

2) Als de knop "X2" in de ready-modus wordt ingedrukt, gevolgd door het starten van een voorgeprogrammeerd programma of als de knop "X2" wordt ingedrukt gedurende 5 seconden van het starten van een voorgeprogrammeerd programma, start de oven met de vooraf ingestelde hoeveelheid kooktijd.

3) Druk op de "X2", "DOUBLE" displays. Wanneer u op de cijfertoetsen drukt, verschijnt op het scherm de vooraf ingestelde tijd. Bijvoorbeeld, de nummertoets "5" en de vooraf ingestelde tijd is 1 minuut. Druk dan op "X2", dan verandert de tijd tot $1:00 * (1 + 0,8) = 1:48$ (1 minuut en 48 seconden).

4) Bij het afronden van de kookprogramma komt de Oven in de End of Cook Cycle Mode.

13. Kookprogrammering van de fase

Hiermee kan de gebruiker voedselproducten koken in de handmatige kookstand en de programmeermodus.

1) Drie stappen kunnen maximaal ingesteld worden in de kookstand of in de programmeermodus. Nadat u de stroom en tijd voor de eerste trap hebt ingesteld, drukt u op "Tijdtoets" om de tweede fase in te stellen. En dezelfde stap om de derde fase in te stellen.

2) Wanneer u de tweede derde fase instelt, druk dan op "Tijdtoets", "STAGE 2", "STAGE 3" -schermen.

3) Druk op de knop "▶" om te beginnen met koken.

Voorbeeld: Druk in de programmeermodus op de cijfertoetsen "3" om twee fasen te koken. De eerste fase is PL 7 en de tijd is 1 minuut 25 seconden. De tweede fase is PL5 en 5 minuten en 40 seconden. De stappen zijn als volgt:

a. In de Klaarmodus, druk de cijfertoets "1" gedurende 5 seconden, "PROGRAM" verschijnt.

b. Druk op de cijfertoets "3", op het scherm verschijnt "P: 03". Na twee seconden verschijnt op het scherm de betreffende tijd ": 30".

c. Druk op "1", "2", "5" om de kooktijd in te voeren. "1:25" displays.

d. Druk op "Med-Hi 70%", "PL7" displays. De eerste fase is af.

e. Druk op "Time Entry", "STAGE 2" displays.

f. Druk op de toetsen "5", "4", "0" en "5:40".

g. Druk op "Medium 50%", "PL5" displays. De tweede fase is af.

h. Druk op de knop "▶" om te beginnen met koken.

i. De totale tijd telt af.

14. Gebruik Option Mode

Hierdoor kan de gebruiker kiezen tussen verschillende manieren om de oven te bedienen.

- 1) Open de ovendeur en druk gedurende 5 seconden op "2" pad. De zoemer klinkt een keer en voert deze modus in.
- 2) Op het scherm verschijnt "OP: - -".
- 3) Druk op elke cijfertoets om de gerelateerde modusinstelling in te voeren. Bijvoorbeeld: om de stem van de zoemer in te stellen op medium. Druk op "2", "OP: 22". Als u wilt veranderen, houd u nogmaals op "2", met "OP: 20", "OP: 21", "OP: 22", "OP: 20" "OP: 23", "OP: 20" in cyclus.
- 4) Druk op "⏪" om de huidige instelling op te slaan. Na het opslaan verschijnt "OP: - -" opnieuw.
- 5) Druk tijdens het instellen op "⏩" om de deur open modus in te voeren. Sluit de deur komt in de Klaar modus.
- 6) Als de "⏪" knop niet in de laatste stap wordt ingedrukt, kan het programma niet worden opgeslagen, maar blijf op de vorige weg.

15. Service modus

- 1) Open de ovendeur en druk 5 seconden op de "3" -knop om de servicemodus in te voeren.
 - 2) Het scherm toont "SERVICE".
 - 3) Om de tijden van het sluiten of openen van de deur te controleren, druk gewoon op de nummertoets "3", op het scherm worden de tijden weergegeven.
 - 4) Als u op "1" pad voor Tube Hours drukt.
Als u op "2" pad voor buiscycli drukt.
Als u op "3" pad voor deurcycli drukt.
Als u op de knop "4" drukt, verwijdert u de service-informatie.
- Enkel voor sommige modellen:
- Als u op "5" -pad drukt om Top Mag uit te voeren. Oven toont versterkers.
- Als u op "6" -pad drukt om Bottom Mag te draaien. Oven toont versterkers.
- 5) Druk op "⏩" om de deur open modus in te voeren. Sluit de deur komt in de Klaar modus.

16. Onderzoeksfunctie

Druk tijdens het koken in de magnetron op "Time Entry" om het vermogensniveau te controleren. LED geeft de stroom gedurende 3 seconden weer en keert dan terug naar de vorige status. Het is beschikbaar voor koken in meerdere stadia.

17. Fabrieksinstelling

Druk in de Klaarmodus op "⏪" en "0" op de fabrieksinstelling.

- 1) Druk op "⏪" en "0", de zender klinkt eenmaal en op het scherm verschijnt "CHECK". Als de fabrieksinstelling is ingesteld, verschijnt 11, na drie seconden gaat de oven naar de klaarmodus. Druk op "⏪". om het display te annuleren en terug te krijgen in het display. Als het niet in de fabrieksinstelling is, verschijnt "00" op het scherm, druk op "⏪" naar de fabrieksinstelling, op het scherm verschijnt "11" of "00".
 - 2) Als u niet op "⏪" drukt wanneer het display "00" de instelling zal annuleren.
- Opmerking: Wees voorzichtig in de bediening, aangezien het alle configuratie in de fabrieksinstelling zal herstellen.

Probleemoplossing

| Normaal | |
|--|--|
| Magnetron stoort TV ontvangst | Radio- en tv-ontvangst kan storen wanneer de magnetron werkt. Het lijkt op de storing van kleine elektrische apparaten, zoals mixer, stofzuiger en elektrische ventilator. Het is normaal. |
| Dim ovenlicht | Bij het koken met een laag vermogen mag het ovenlicht dim worden. Het is normaal. |
| Stoom verzamelt op de deur, hete lucht uit ventilaties | Bij het koken kan stoom uit eten komen. De meeste zullen uit vents komen. Maar sommigen kunnen op koele plaats ophalen, zoals de deur van de oven. Het is normaal. |
| Oven begon per ongeluk zonder voedsel erin | Het is verboden om het toestel zonder voedsel binnen te laten lopen. Het is erg gevaarlijk. |

| Probleem | Mogelijke oorzaak | Oplossing |
|---------------------|---|---|
| Oven start niet. | Netsnoer niet stevig in de stekker aangesloten. | Ontkoppel. Steek daarna na 10 seconden opnieuw aan. |
| | Zekering kapot of schakelaar werkt. | Zekering vervangen of resetten schakelaar (gerepareerd door professioneel personeel van ons bedrijf). |
| | Problemen met de uitlaat. | Testuitlaat met andere elektrische apparaten. |
| Oven verwarmt niet. | De deur is niet goed gesloten. | Sluit de deur goed. |



Volgens de richtlijn afvalstoffen van elektrische en elektronische apparatuur (WEEE), moet AEEA afzonderlijk worden verzameld en behandeld. Als u dit product op elk moment in de toekomst moet beschikken, moet u dit product niet met huisvuil afwerpen. Stuur dit product naar WEEE-verzamelpunten indien beschikbaar.

Lesen Sie diese Anleitung sorgfältig vor dem Gebrauch der Mikrowelle durch und bewahren sie sorgfältig auf.

Falls Sie den Anweisungen folgen, wird Ihnen die Mikrowelle viele Jahre gute Dienste leisten.

BEWAHREN SIE DIE BEDIENUNGSANLEITUNG SORGFÄLTIG AUF

Vorsichtsmaßnahmen, um einer möglicher Belastung durch starke Mikrowellenstrahlung vorzubeugen

- (a) Versuchen Sie die Mikrowelle nicht mit offener Tür zu betreiben, da das zu schädlicher Strahlenbelastung führen kann. Es ist wichtig, dass Sie die Sicherheitsverriegelung nicht zerstören oder darum herumhantieren.
- (b) Klemmen Sie keine Gegenstände zwischen der Front der Mikrowelle und der Tür oder lassen Sie nicht zu, dass sich Verschmutzungen und Rückstände von Reinigungsmitteln auf abgedichteten Oberflächen ansammeln.
- (c) **WARNUNG:** Falls die Türe oder die Türdichtung beschädigt sind, darf die Mikrowelle nicht in Betrieb genommen werden, bis ein befugter Fachmann das repariert hat.

Nachtrag

Falls das Gerät nicht rein gehalten wird, kann sich seine Oberfläche abnutzen und die Lebensdauer des Gerätes beeinträchtigen werden und darüber hinaus auch zu gefährlichen Situationen führen.

Spezifikationen

| | |
|--|----------------|
| Modell: | 7455.1662 |
| Nennspannung: | 230V~50Hz |
| Nenn-Eingangs-Leistung (Mikrowelle): | 1550W |
| Nenn-Ausgangs-Leistung (Mikrowelle): | 1000W |
| Mikrowellenkapazität/Fassungsvermögen: | 25L |
| Außenabmessungen | 511x432x311mm |
| Nettogewicht: | Ungef. 14,7 kg |

Wichtige Sicherheitsinstruktionen

WARNUNG

Um das Risiko von Feuer, eines Stromschlages, Körperverletzung oder Belastung durch Mikrowellen während des Betriebs des Gerätes zu reduzieren, folgen Sie den grundlegenden Sicherheitsmaßnahmen inklusive der unten erwähnten:

1. **Warnung:** Flüssigkeiten und andere Nahrungsmittel dürfen nicht in geschlossenen/dichten Gefäßen aufgewärmt werden, da diese explodieren könnten.
2. **Warnung:** Es ist gefährlich für jemanden, der kein Fachmann ist, jede Art von Wartungs- oder Reparaturarbeiten durchzuführen, was die Entfernung der Abdeckung beinhaltet, die als Schutz gegen die Strahlung dient.
3. Verwenden Sie nur mikrowelleneignete Gegenstände.
4. Die Mikrowelle sollte regelmäßig gereinigt und Speiserückstände entfernt werden.
5. Lesen und befolgen Sie die besonderen: „Sicherheitsmaßnahmen, um einer möglicher Belastung durch starke Mikrowellenstrahlung vorzubeugen“.
6. Wenn Sie Nahrungsmittel in Plastik- oder Papierbehältern aufwärmen, behalten Sie die Mikrowelle im Auge, da die Möglichkeit besteht, dass sich diese Behälter entzünden.

7. Falls Sie Rauch aus der Mikrowelle bemerken, schalten Sie sie aus oder trennen Sie das Gerät vom Stromnetz und lassen die Tür geschlossen, um alle Flammen zu ersticken.
8. Ganze rohe Eier und ganze hartgekochte Eier sollten nicht in der Mikrowelle aufgewärmt werden, da diese explodieren können, sogar nach dem Ende des Aufwärmvorganges in der Mikrowelle.
9. Falls das Stromkabel beschädigt ist, muss es durch den Hersteller, Ihren Händler oder einem ähnlich qualifizierten Fachmann ersetzt werden, um Risiken bzw. Gefährdungen vorzubeugen.
10. Falls Sie das Gerät nicht regelmäßig reinigen, besteht die Gefahr, dass sich die Oberfläche stark abnutzt, was wiederum zu einer Verkürzung der Lebensdauer und möglicherweise zu gefährlichen Situationen führen kann.
11. Warnung: Die Inhalte von Säuglingsfläschchen und Babygläschen sollten vermischt/umgerührt oder geschüttelt und die Temperatur vor der Verabreichung kontrolliert werden, um Verbrennungen zu vermeiden.
12. Warnung: Das Aufwärmen von Getränken in der Mikrowelle kann zu verzögerter explosionsartigem Aufkochen führen; aus diesem Grund ist es erforderlich, dass Sie beim Hantieren mit dem Behälter Acht geben.
13. Dieses Gerät kann von Kindern ab 8 Jahren und älter und Personen mit reduzierter Motorik oder mentalen Beeinträchtigungen oder unerfahrenen Personen, die während des Betriebes beaufsichtigt oder in den sicheren Betrieb des Gerätes eingewiesen worden sind, und die Gefahren/Risiken, die damit zusammenhängen verstanden haben, benutzt werden. Kindern dürfen nicht mit dem Gerät spielen. Die Reinigung und Wartungsarbeiten der Benutzer dürfen nicht durch Kinder, ohne Beaufsichtigung durch einen Erwachsenen, durchgeführt werden.
14. Warnung: Stellen Sie sicher, dass das Gerät vor dem Tausch des Leuchtmittels ausgeschaltet ist, um einen möglichen Stromschlag zu vermeiden.

LESEN SIE DIE ANLEITUNG SOGFÄLTIG DURCH UND BEWAHREN SIE SIE ZUM SPÄTEREN NACHSCHLAGEN AUF.

Reduktion des Risikos von Körperverletzungen

Geerdete Installation

Risiko

Risiko eines Stromschlages

Der Kontakt mit internen Komponenten kann zu ernsthaften Verletzungen oder zum Tod führen. Bauen Sie das Gerät nicht auseinander.

Warnhinweis

Risiko eines Stromschlages

Die unsachgemäße Montage der Erdung kann zu einem Stromschlag führen. Stecken Sie das Gerät nicht an eine Steckdose an, solange das Gerät nicht ordnungsgemäß installiert und geerdet ist.

Reinigung

Stellen Sie sicher, dass das Gerät vom Stromnetz getrennt ist.

1. Reinigen Sie die Innenseite der Mikrowelle nach dem Gebrauch mit einem leicht feuchten Tuch.
2. Reinigen Sie das Zubehör wie üblich mit Wasser und Reinigungsmitteln.
3. Der Türrahmen, die Türdichtung und die benachbarten Teile müssen sorgfältig mit einem feuchten Tuch gereinigt werden, falls Sie verunreinigt sind.

Dieses Gerät muss geerdet sein. Im Falle eines Kurzschlusses reduziert die Erdung das Risiko eines Stromschlages durch die Ableitung des Stroms. Dieses Gerät verfügt über ein Stromkabel, das ein Erdungskabel und einen -stecker beinhaltet. Der Stecker muss in eine Steckdose gesteckt werden, die ordnungsgemäß installiert und geerdet ist.

Ziehen Sie einen qualifizierten Elektriker oder Servicetechniker zu Rate, falls Sie die Erdungsanweisungen nicht vollständig verstanden oder Sie Zweifel haben, ob das Gerät ordnungsgemäß geerdet ist. Fall es notwendig sein sollte ein Verlängerungskabel zu benutzen, verwenden Sie nur ein 3-adriges Verlängerungskabel.

1. Es wird ein kurzes Stromkabel zur Verfügung gestellt, um die Risiken durch Verheddern oder Stolpern zu reduzieren, die sich durch die Verwendung eines längeren Kabels ergeben können.
2. Falls ein langes Kabel oder ein Verlängerungskabel verwendet wird:
 - 1) Die angegebene elektrische Leistung des Kabelsets oder Verlängerungskabels sollte mindestens der elektrischen Leistung/den technischen Spezifikationen des Gerätes entsprechen.
 - 2) Das Verlängerungskabel muss ein geerdetes 3-adriges Kabel sein.
 - 3) Das lange Kabel sollte so angebracht sein, dass es nicht von Arbeitsflächen oder der Tischplatte herunterhängt, wo Kinder dann daran ziehen oder unabsichtlich darüber stolpern können.

Vorsichtsmaßnahmen

Risiko der Körpervletzung

Es ist gefährlich für jemanden, der kein Fachmann ist, jede Art von Wartungs- oder Reparaturarbeiten durchzuführen, was die Entfernung der Abdeckung umfasst, die als Schutz gegen die Strahlung dient.

Lesen Sie die Anleitung über „Materialien, die Sie in der Mikrowelle verwenden können oder die Sie nicht in der Mikrowelle verwenden können.“ durch. Es gibt bestimmte nichtmetallische Gegenstände, die nicht sicher für die Verwendung in der Mikrowelle sind. Falls Sie Zweifel haben, können Sie den betreffenden Gegenstand mit dem folgenden, unten angeführten, Vorgang testen.

Gegenstandstest:

1. Füllen Sie einen mikrowelleneigneten Behälter mit einer (1) Tasse kaltem Wasser (250 ml) gemeinsam mit dem betreffenden Gegenstand.
2. Schalten Sie die Mikrowelle auf maximaler Leistung eine (1) Minute lang ein.
3. Berühren Sie den Gegenstand vorsichtig. Falls der leere Gegenstand warm ist, so ist er nicht für die Mikrowelle geeignet.
4. Überschreiten Sie unter keinen Umständen die Aufwärmzeit von einer (1) Minute.

Materialien/Stoffe, die Sie in der Mikrowelle verwenden können

| Gegenstand | An-/Bemerkungen |
|--------------------------|---|
| Aluminiumfolie | Nur zum Schutz/zur Abdeckung. Kleine, glatte Stücke können zum Abdecken dünner Fleisch- oder Geflügelteile verwendet werden, um Zerkochen zu verhindern. Funkenbildung kann sich ereignen, falls die Folie zu nahe an den Wänden der Mikrowelle ist. Die Folie sollte mindestens 1 Zoll (2,5 cm) von den Wänden der Mikrowelle entfernt sein. |
| Braunware | Folgen Sie den Anweisungen des Herstellers. Die Unterseite der Braunware muss sanft auf den Glasteller gestellt werden. Unsachgemäße Benutzung könnte den Glasteller zerstören/beschädigen. |
| Essgeschirr | Nur mit der Kennzeichnung „mikrowelleneignet“. Folgen Sie den Anweisungen des Herstellers. Verwenden Sie kein gesprungenes oder abgeschlagenes Geschirr. |
| Gläschen | Entfernen Sie immer den Deckel. Erwärmen Sie die Nahrungsmittel nur bis diese warm sind. Die meisten Gläschen sind nicht hitzebeständig und könnten zerbrechen. |
| Gläser | Nur hitzebeständige Gläser. Stellen Sie sicher, dass kein Metallrand vorhanden ist. Verwenden Sie kein gesprungenes oder abgeschlagenes Geschirr. |
| Ofenkochbeutel | Folgen Sie den Anweisungen des Herstellers. Verschließen Sie den Beutel nicht mit einem Metallklipp. Bringen Sie Löcher an, damit der Dampf entweichen kann. |
| Papierteller und -tassen | Nur zum Gebrauch bei kurzzeitigem Aufkochen/Aufwärmen. Lassen Sie das Gerät während des Aufwärmens nicht unbeaufsichtigt. |

| | |
|---------------------|---|
| Papiertücher | Für die Verwendung, um Lebensmittel beim Aufwärmen abzudecken und Fett aufzusaugen. Nur unter Aufsicht und zum Aufwärmen/Kochen für kurze Zeit. |
| Backpapier | Für die Verwendung als Abdeckung, um Herausspritzen zu vermeiden oder zum Einpacken zum Dampfgaren verwenden. |
| Plastik | Nur mit der Kennzeichnung „mikrowellengeeignet“. Folgen Sie den Instruktionen des Herstellers. Sollte mit „mikrowellengeeignet“ gekennzeichnet sein. Einige Plastikbehälter werden weicher, da die Lebensmittel in den Behältern heiß werden. "Kochbeutel" und fest verschlossene Plastikbeutel sollten aufgeschlitzt, "durchlöchert" oder in einer anderen Art und Weise Luft zugeführt werden, wie auf der Packung angegeben. |
| Plastikverpackungen | Nur mit der Kennzeichnung „mikrowellengeeignet“. Für die Verwendung, um Lebensmittel während des Kochens abzudecken, um die Feuchtigkeit zu erhalten. Vermeiden Sie, dass Plastikverpackungen die Lebensmittel direkt berühren. |
| Thermometer | Nur mit der Kennzeichnung "mikrowellengeeignet" (Fleisch- und Zuckerthermometer). |
| Wachspapier | Für die Verwendung als Abdeckung, um Herausspritzen zu verhindern und die Feuchtigkeit zu erhalten. |

Materialien/Stoffe, die nicht für die Mikrowelle geeignet sind

| Gegenstand | An-/Bemerkungen |
|---|---|
| Aluminiumschale | Kann Funkenbildung verursachen. Packen Sie die Speisen in mikrowellengeeignetes Geschirr um. |
| Lebensmittelkarton mit Metallgriff | Kann Funkenbildung verursachen. Packen Sie die Speisen in mikrowellengeeignetes Geschirr um. |
| Metallische Gegenstände Gegenstände mit Metallrand | oder Metall schirmt die Lebensmittel vor der Strahlung ab. Metallränder können Funkenbildung verursachen. |
| Metallklipps | Kann zu Funkenbildung führen und Feuer in der Mikrowelle verursachen. |
| Papierbeutel | Kann zu Feuer in der Mikrowelle führen. |
| Schaumstoff | Schaumstoff kann schmelzen oder Flüssigkeiten im Behälter verunreinigen, wenn er hohen Temperaturen ausgesetzt ist. |
| Holz | Holz wird trocken, wenn es in der Mikrowelle verwendet wird und kann sich spalten oder bersten. |

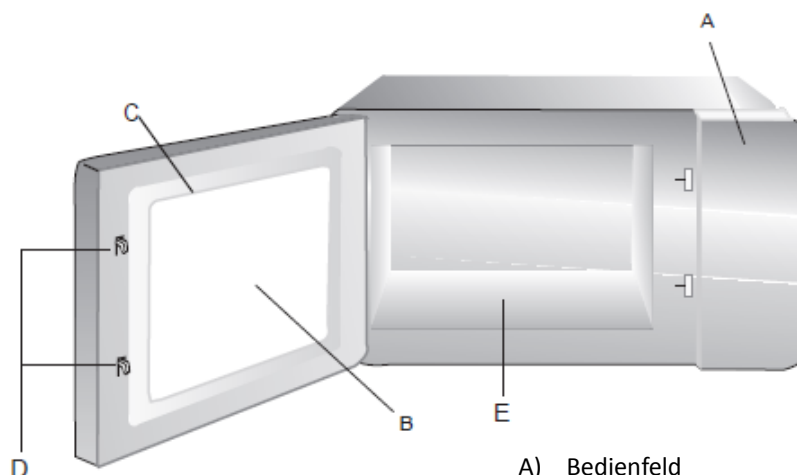
Einrichtung Ihrer Mikrowelle

Bezeichnung der Teile und des Zubehörs

Nehmen Sie die Mikrowelle und alle Gegenstände aus der Verpackung und aus dem Innen-/Garraum der Mikrowelle.

Der Lieferumfang Ihre Mikrowelle umfasst folgendes Zubehör:

Bedienungsanleitung: 1x



- A) Bedienfeld
- B) Sichtfenster
- C) Türscharniere
- D) Türverriegelung
- E) Glas(dreh)teller

Hinweis:

- 1) Drücken Sie nicht mit Gewalt auf den Glasteller.
- 2) Nehmen und legen Sie die Gegenstände/Utensilien vorsichtig während des Betriebs heraus/hinein, um eine Beschädigung des Glastellers zu vermeiden.
- 3) Berühren Sie den Glasteller nach dem Gebrauch nicht mit der Hand, um Verbrennungen zu vorbeugen.

Installation auf einer Küchenarbeitsfläche

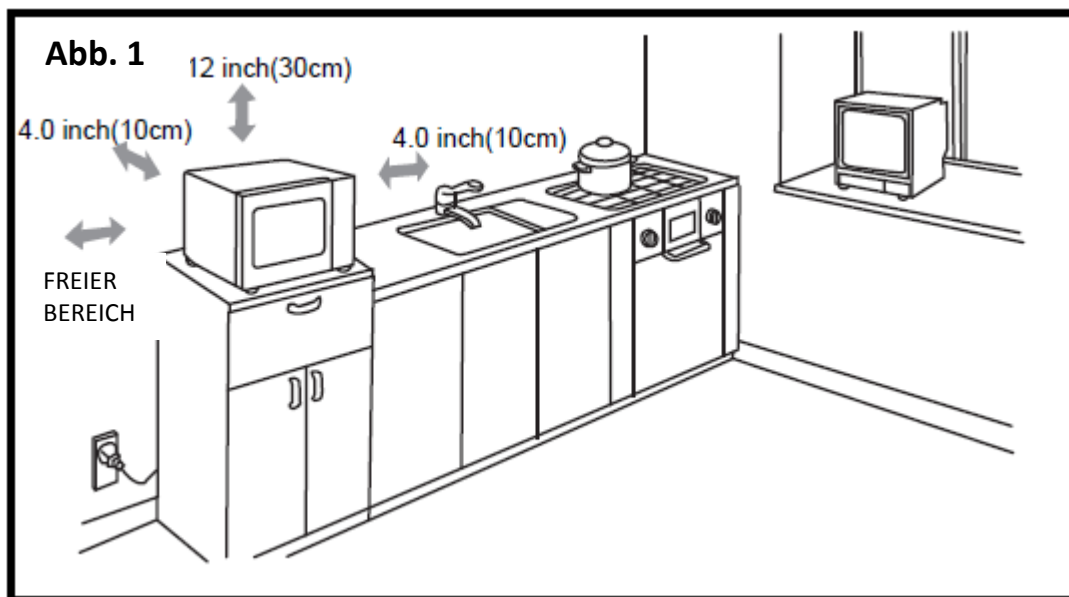
Entfernen Sie das gesamte Verpackungsmaterial und Zubehör.

Prüfen Sie die Mikrowelle auf Schäden, wie z.B. Dellen oder kaputte Türen. Installieren Sie die Mikrowelle nicht, wenn sie beschädigt ist.

Gehäuse: Entfernen Sie den Schutzfilm, der sich auf der Gehäuseoberfläche befindet.

Installation

1. Wählen Sie einen geeigneten Ort, der genug Platz für die Zu- und Abluft bietet (Abbildung 1).



10 cm Abstand sollte zwischen dem Gerät und der rechten und hinteren Wand und 30 cm Abstand an der Oberseite des Gerätes eingehalten werden. Montieren Sie niemals die Füße des Gerätes ab oder blockieren die Luftzufuhr und die Abluftöffnung. Die linke Seite muss frei bleiben.

- 1) Das Blockieren der Öffnungen für die Luftzufuhr und die Abluft kann die Mikrowelle beschädigen.
- 2) Stellen Sie das Gerät soweit wie möglich von Radios und TV-Geräten entfernt auf. Der Betrieb der Mikrowelle kann Störungen bei Ihrem Radio- oder TV-Gerät verursachen.
- 3) Stecken Sie die Mikrowelle in eine Standard-Haushalts-Steckdose. Stellen Sie sicher, dass die Netzspannung und die Frequenz mit jenen Ihres Gerätes übereinstimmen.
- 4) Warnung: Der Stromstecker, elektrische Komponenten des Gerätes, die durch Hitze und Feuchtigkeit beeinträchtigt werden könnten, sollten von allen Luftauslässen der Mikrowelle fern gehalten werden.

Reinigungsanleitung

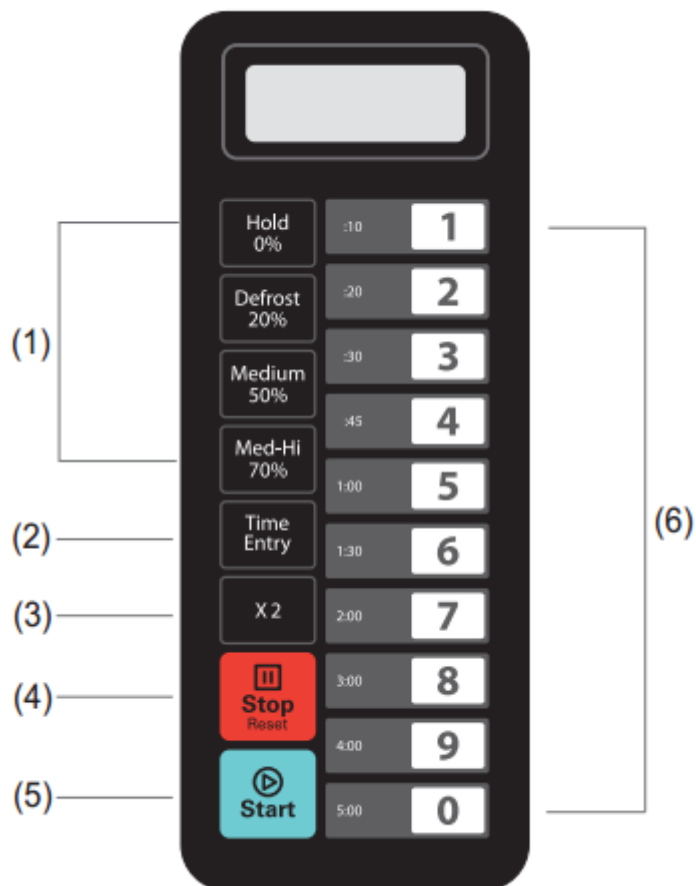
Halten Sie die Mikrowelle immer sauber

1. Reinigen Sie das Sichtfenster aus Glas, die Innenseite der Türe und die Vorderseite der Mikrowelle.
Für optimale Leistung und die Aufrechterhaltung eines hohen Sicherheitsstandards, sollten die Innenseite der Türe und die Vorderseite von Speiseresten und Fettbildung frei sein. Reinigen Sie diese Teile mit einem milden Reinigungsmittel, spülen dieses ab und reiben sie trocken. Verwenden Sie niemals ätzendes Pulver oder Tupper.
2. Reinigen Sie das Bedienfeld und die Kunststoffteile.
Verwenden Sie bei der Reinigung des Bedienfeldes oder der Kunststoffteile keine Reinigungsmittel oder flüssige Reinigungssprays auf Alkalinebasis, da diese Teile sonst beschädigt werden könnten. Benutzen Sie ein trockenes Tuch (kein nasses Tuch), um diese Teile zu reinigen.
3. Reinigen Sie die Innenseite der Mikrowelle.
Nach dem Gebrauch stellen Sie bitte sicher, dass verschüttete Flüssigkeiten, herausgespritztes Öl und Essensreste zu schnell wie möglich entfernt werden. Falls die Mikrowelle im unsauberen Zustand verwendet wird, sinkt die Effizienz des Gerätes und die Rückstände können auf der Oberfläche der Mikrowelle einbrennen, was auch zu schlechten Gerüchen führen kann. Reinigen Sie das Innere der Mikrowelle mit einem feuchten Tuch mit lauwarmen Wasser und einem darin aufgelösten milden Reinigungsmittel, wischen danach die Rückstände des Reinigungsmittels mit einem feuchten Tuch ab.

VORSICHT: Reinigen Sie Kunststoffteile und lackierte Flächen der Mikrowelle nicht mit Bleich-, Verdünnungs- oder anderen Putzmitteln, da dies zum Abblättern oder Auflösen dieser Teile führen kann.

Betrieb

Bedienfeld und Funktionen



- 1) Programm-Tasten
- 2) Zeiteinstell-Taste
- 3) Doppelte Menge-Taste
- 4) Stopp-/Reset-Taste
- 5) Start-Taste
- 6) Zahlenfeld

Betriebsanleitung

Es stehen fünf Leistungsstufen zur Verfügung.

| | | | | | |
|----------|------|---------|------|---------|------|
| Level | High | M. High | Med. | Defrost | Hold |
| Leistung | 100% | 70% | 50% | 20% | 0% |
| Display | PL10 | PL7 | PL5 | PL2 | PL0 |

Anhang. A Einstelloptionen für den Benutzer

Die fettgedruckten Werte unten stellen die Standardeinstellungen des Gerätes dar.

| Option | Einstellung | Beschreibung |
|---|-------------|-------------------------------------|
| 1 EOC- Ton | OP:10 | 3-Sekunden-Piep |
| | OP:11 | Durchgängiger/Dauer-Piep |
| | OP:12 | 5 schnelle Piepe, wiederholend |
| 2 Signal-Lautstärke | OP:20 | Signalgeber aus |
| | OP:21 | Leise |
| | OP:22 | Mittel |
| 3 Signalgeber ein/aus | OP:23 | Laut |
| | OP:30 | Tastenton aus |
| | OP:31 | Tastenton ein |
| 4 Tastenfeld für die Zeitabschaltung | OP:40 | 15 Sekunden |
| | OP:41 | 30 Sekunden |
| | OP:42 | 60 Sekunden |
| | OP:43 | 120 Sekunden |
| 5 Schnelles/Spontanes Kochen | OP:50 | Schnelles Kochen aktiviert |
| | OP:51 | Schnelles Kochen deaktiviert |
| 6 Tür-Reset | OP:60 | Tür-Reset aktiviert |
| | OP:61 | Tür-Reset deaktiviert |
| 7 Maximale Zeit | OP:70 | 60 Minuten maximale Kochzeit |
| | OP:71 | 10 Minuten maximale Kochzeit |
| 8 Manuelle Programmierung | OP:80 | Manuelle Programmierung deaktiviert |
| | OP:81 | Manuelle Programmierung aktiviert |
| 9 Zweistellige Eingabe | OP:90 | Einstellige Eingabe-10 Programme |
| | OP:91 | Zweistellige Eingabe-10 Programme |

Appendix. B Standard-Kochzeiten

Die Mikrowelle wird mit den nachfolgenden voreingestellten Kochzeiten geliefert, falls nichts anderes in der Produktspezifikation angegeben ist.

| Taste | Display (Zeit) | Leistung | Kochfaktor |
|-------|----------------|----------|------------|
| 1 | 0:10 | 100% | 80% |
| 2 | 0:20 | 100% | 80% |
| 3 | 0:30 | 100% | 80% |
| 4 | 0:45 | 100% | 80% |
| 5 | 1:00 | 100% | 80% |
| 6 | 1:30 | 100% | 80% |
| 7 | 2:00 | 100% | 80% |
| 8 | 3:00 | 100% | 80% |
| 9 | 4:00 | 100% | 80% |
| 0 | 5:00 | 100% | 80% |

1. Einschalten des Gerätes

„-----“ wird angezeigt, wenn das Gerät das erste Mal in Betrieb genommen wird. Wenn die "□"-Taste gedrückt wird, schaltet sich die Mikrowelle in den Ruhemodus. Hinweis: Im Ruhemodus kann keine Taste gedrückt werden.

2. Ruhemodus

- 1) Eingabe. Die Mikrowelle sollte nach ein paar Sekunden vom Ruhemodus in den Bereitschaftsmodus wechseln, ohne Tasteneingabe oder die Türe zu öffnen oder schließen. Die Anzahl der Sekunden wird mit dem Tastenfeld für die Zeitabschaltung festgelegt und in der Benutzer-Option 4 eingestellt.
- 2) Während des Ruhemodus erfolgt keine Anzeige. Ebenso ist die Mikrowelle nicht in Betrieb.
- 3) Das Öffnen und Schließen der Tür der Mikrowelle beendet den Ruhemodus und die Mikrowelle wechselt in den Bereitschaftsmodus.

3. Bereitschaftsmodus

- 1) In diesem Modus ist die Mikrowelle bereit entweder einen manuellen oder voreingestellten Kochvorgang zu starten.
- 2) Während des Bereitschaftsmodus wird „0:00“ im Display angezeigt.
- 3) Vom Bereitschaftsmodus kann die Mikrowelle in fast alle anderen Modi wechseln.
- 4) Nur der Fan und die Lampe funktionieren.

4. Türentriegelungs-Modus

- 1) Wenn die Tür der Mikrowelle geöffnet ist, befindet sich die Mikrowelle im Entriegelungsmodus.
- 2) Während dieses Modus erfolgt keine Anzeige im Display. Der Ventilator läuft und die Kontrolllampen der Mikrowelle leuchten.
- 3) Falls die Tür geschlossen und die Benutzer-Option OP:60 ausgewählt und die Mikrowelle mit einem manuellen oder voreingestellten Kochprogramm betrieben worden ist, sollte die Mikrowelle in den Pausen-Modus wechseln. In allen anderen Fällen, sollte die Mikrowelle zu dem in der Benutzer-Option OP:61 eingestellten Modus zurückkehren. Das Öffnen und Schließen der Tür setzt alle Einstellungen eines manuellen oder voreingestellten Kochprogrammes zurück, das noch nicht beendet war.

5. Pausen-Modus

- 1) Dieser Modus ermöglicht es den Benutzern den Kochvorgang zwischenzeitlich zu unterbrechen, um den Gargrad der Speisen zu überprüfen oder die Speisen umzurühren.
- 2) Während eines manuellen Kochvorganges oder mit einem voreingestellten Programm, falls die Tür geöffnet oder geschlossen oder die "□"-Taste gedrückt wird, schaltet sich die Mikrowelle in den Pausen-Modus.
- 3) Während dieses Modus, zeigt das Display die noch verbleibende Kochdauer an.
- 4) Nur der Fan und die Lampe funktionieren.
- 4) Der Wechsel vom Pausen-Modus in den Ruhemodus erfolgt in genau umgekehrter Reihenfolge wie in den Bereitschaftsmodus, was abhängig von den Einstellungen in der Benutzer-Option 4 ist. Falls zusätzlich die "□"-Taste gedrückt wird, wechselt die Mikrowelle sofort in den Bereitschaftsmodus. ODER falls Sie die "▶"-Taste drücken, wechselt das Gerät in den Arbeitsmodus.

6. Modus zur manuellen Auswahl der Kocheinstellungen

- 1) Der Benutzer kann die Kochdauer und die Kochleistung (in W) manuell einstellen, wenn sich das Gerät in diesem Modus befindet.
- 2) Falls sich das Gerät im Bereitschaftsmodus befindet, drücken Sie die „Zeiteingabe“-Taste auf den Tastaturfeldern, um in den manuellen Einstellmodus der Mikrowelle zu gelangen.
- 3) Während dieses Modus wird im Display "00:00" angezeigt. Geben Sie die benötigte Zeit ein.
- 4) Falls Sie die „Halten 0%“, „Auftauen 20%“, „Medium 50%“ oder „Med-Ho 70%“-Taste drücken, um die Kochleistung auszuwählen, zeigt das Display die damit verbundene Kochleistung an. Falls dieselbe Taste zweimal gedrückt wird, ändert sich die Kochleistung auf PL10. Falls keine Kochleistung ausgewählt wird, kommt die Standardoption „PL 0“ zum Tragen.
- 5) Während des Einstellungsprozesses drücken Sie die "▶"-Taste, um in den Modus für die manuelle Eingabe der Kochparameter zu gelangen. Drücken Sie "□", um in den Bereitschaftsmodus zu gelangen.

7. Manueller Koch-Modus

- 1) Dieser Modus ermöglicht das Kochen/Aufwärmen von Nahrungsmitteln. Während Sie sich im Modus für die manuelle Auswahl der Kochparameter befinden, erfolgt durch das Betätigen der "▶"-Taste der Start der Mikrowelle mit dem manuell eingegebenen Kochprogramm.
- 2) Während dieses Modus wird die noch verbleibende Kochdauer angezeigt. Der Ventilator läuft und die Kontrolllampe der Mikrowelle leuchtet.
- 3) Wenn das Kochprogramm beendet ist, wechselt das Gerät in den Beenden-Modus des manuellen Kochprogrammes. Falls Sie die "⏏"-Taste in diesem Modus betätigen, wechselt das Gerät in den Pausen-Modus.

8. Beenden-Modus des Kochprogrammes

- 1) Nachdem die Zeit bei einem manuell eingestellten oder voreingestellten Kochprogramm abgelaufen ist, schaltet sich die Mikrowelle in den Beenden-Modus.
- 2) In diesem Modus wird „END“ im Display angezeigt.
- 3) Falls entweder die Benutzer-Option „OP:11“ oder „OP:12“ ausgewählt sind, sollte die Mikrowelle so lange läuten bis der Benutzer entweder die Türe auf- und zumacht oder die "⏏"-Taste betätigt. Falls die Benutzer-Option OP:10 ausgewählt ist, wechselt das Gerät nach dem 3 Sekunden Piep in den Ruhemodus.

9. Modus für voreingestellte Kochprogramme

- 1) Dieser Modus ermöglicht es Ihnen, Nahrungsmittel mit der Betätigung nur einer Taste zu kochen. Falls sich das Gerät im Bereitschaftsmodus befindet, drücken Sie eine der Zehn digitalen Tasten auf der Tastatur, um das Kochprogramm zu starten, das unter dieser Taste abgespeichert ist.
- 2) In diesem Modus wird die noch verbleibende restliche Kochdauer im Display angezeigt. Falls es sich um einen mehrstufigen Kochvorgang handelt, wird die verbleibende Kochdauer aller noch nicht abgearbeiteter Stufen angezeigt und nicht die einer bestimmte Stufe.
- 3) Wenn das Kochprogramm beendet ist, schaltet sich das Gerät in den Beenden-Modus. Wenn Sie die "⏏"-Taste in diesem Modus betätigen, wechselt die Mikrowelle in den Pausen-Modus.

10. Sofortiges/Spontanes Kochen

- 1) Während das Gerät kocht und falls die Benutzer-Option OP:51 ausgewählt ist, drücken Sie die entsprechenden Zifferntasten und das voreingestellte Kochprogramm startet automatisch.
- 2) Das Display zeigt die noch verbleibende Kochdauer an.
- 3) Wenn das Kochprogramm beendet ist, schaltet sich das Gerät in den Beenden-Modus. Wenn Sie die "⏏"-Taste in diesem Modus betätigen, wechselt die Mikrowelle in den Pausen-Modus.

11. Programmier-Modus

Dieser Modus ermöglicht es Ihnen, die Kochdauer und -leistung einer Taste zuzuweisen.

- 1) Öffnen Sie die Tür und betätigen die Taste „1“ 5 Sekunden lang, ein Signalton ist einmal zu hören und der Benutzer befindet sich im Programmier-Modus.
- 2) Es wird „PROGRAMM“ angezeigt. Sie können die Zifferntasten betätigen, um die gewünschte Dauer einzugeben.
- 3) Drücken Sie „Halten 0%“, „Abtauen 20%“, „Medium 50%“ oder „Med-Ho 70%“, um die Kochleistung einzugeben. Das Display zeigt die gewählte Kochleistung an. Falls dieselbe Taste zweimal gedrückt wird, wechselt die Leistung auf PL10. Falls keine Kochleistung ausgewählt wird, kommt die Standardoption „PL 0“ zum Tragen. HINWEIS: Stellen Sie zuerst die Kochdauer und danach die Kochleistung ein.
- 4) Um den Kochfaktor zu ändern: Wenn Sie die "X2"-Taste betätigen, zeigt das Display „CF:XX“ an. Der Standardfaktor beträgt 80% und „CF:80“ wird im Display angezeigt. Falls Sie diese Einstellung ändern müssen, betätigen Sie eine Zifferntaste, um die gewünschte Einstellung vorzunehmen.
- 5) Nachdem Sie die Kochdauer und -leistung eingestellt haben, drücken Sie die "▶"-Taste, und das Kochprogramm wird abgespeichert. Nachdem das Programm gespeichert worden ist, erscheint „PROGRAMM“ im Display.

6) Falls die Kochdauer die maximale Zeit gemäß der Benutzer-Option 7 überschreitet und Sie die "⏸"-Taste zum Speichern des Programmes betätigten, ertönt der Signalton 3-mal kurz und das bedeutet, dass diese Zeitdauer nicht eingestellt werden kann. Danach springt das Gerät zurück und zeigt „PROGRAMM“ im Display an. Die zuvor eingestellte Zeit wird nicht verändert.

7) Schließen Sie die Tür und die Mikrowelle wechselt zurück in den Bereitschaftsmodus. Falls Sie die "⏸"-Taste während des Einstellungsvorganges betätigen, schaltet sich das Gerät in den Entriegelungsmodus. Das Programm, das Sie dann nicht gespeichert haben, ist nicht abgespeichert worden. Falls Sie das Programm als automatischen Vorgang abgespeichert haben, betätigen Sie die Zifferntaste unter der das Programm gespeichert worden ist und das Kochprogramm startet automatisch. Falls kein Programm bei der ausgewählten Taste hinterlegt ist, ertönt ein Summton, wenn Sie diese Zifferntaste betätigen und es passiert nichts weiter. Zum Beispiel: Einstellen eines Kochprogrammes zum automatischen Kochen. Kochleistung PL7 und die Kochdauer beträgt 1 Minute und 25 Sekunden.

Schritt 1: Im Bereitschaftsmodus, halten Sie die Taste „1“ 5 Sekunden lang gedrückt. „PROGRAM“ erscheint am Display.

Schritt 2: Drücken Sie die Zifferntaste „3“, am Display erscheint „P:03“. Nach 2 Sekunden erscheint am Display die Zeit „00:30“.

Schritt 3: Drücken Sie die Zifferntasten „1“, „2“ und „5“, um die Kochdauer einzugeben.

Schritt 4: Betätigen Sie die „Med-Ho/70%“-Taste, „PL7“ wird am Display angezeigt. Die Einstellungen sind damit fertig.

Schritt 5: Drücken Sie "⏸", um zu speichern. Wenn Sie das Programm das nächste Mal verwenden möchten, drücken Sie einfach „3“ und das hinterlegte Programm startet.

Hinweis:

1. Falls die Stromzufuhr unterbrochen wird, geht das gespeicherte Programm nicht verloren.
2. Falls Sie das Programm neu starten müssen, wiederholen Sie einfach die oben angeführten Schritte.
3. Falls Sie "⏸" als letzten Schritt betätigen, wechselt das Gerät in den Bereitschaftsmodus. Die Einstellungen sind somit verloren gegangen und nicht gespeichert worden.

12. Kochen mit doppelter Menge

1) Mit der Verwendung der „X2“-Taste kann der Benutzer sehr leicht die Dauer für 2 Portionen einer bestimmten Speise einstellen.

2) Falls Sie die „X2“-Taste im Bereitschaftsmodus betätigen und danach ein voreingestelltes Programm starten oder falls Sie die „X2“-Taste innerhalb von 5 Sekunden nach dem Start eines voreingestellten Programmes drücken, startet die Mikrowelle mit der Zeitdauer des ausgewählten, voreingestellten Programmes.

3) Wenn Sie „X2“ betätigen wird im Display „DOPPELT“ angezeigt. Wenn Sie die Zifferntaste betätigen, zeigt das Display die Zeitdauer des entsprechend ausgewählten voreingestellten Programmes an.

Zum Beispiel: Sie betätigen die Zifferntaste „5“ und die dort voreingestellte Zeit beträgt 1 Minute. Dann drücken Sie die Taste „X2“, danach ändert sich die Zeitdauer auf $1:00 \cdot (1+0,8) = 1,08 = 1:48$ (1 Minute und 48 Sekunden).

4) Wenn das Kochprogramm fertig ist, schaltet sich die Mikrowelle in den Beenden-Modus.

13. Programmierung zum Kochen in mehreren Stufen/Phasen

Das ermöglicht dem Benutzer, Nahrungsmittel einerseits im manuellen Kochmodus als auch im Programmiermodus zu kochen.

1) Es können maximal 3-Stufe/3-Phasen im Koch- oder Programmiermodus eingestellt werden. Nach der Einstellung der Kochleistung und -dauer für die erste Stufe/Phase, drücken Sie „Zeiteingabe“, um die 2. Stufe/2. Phase einzustellen. Und noch einmal dasselbe, um die 3. Stufe/3. Phase einzustellen.

2) Wenn Sie die 2. bzw. 3. Stufe/Phase einstellen, die "Zeiteingabe"-Taste betätigen, wird „STUFE 2“, „STUFE 3“ im Display angezeigt.

3) Betätigen Sie die "▶"-Taste, um den Kochvorgang zu starten.

Beispiel: Im Programmier-Modus drücken Sie die Zifferntaste „3“, um Kochen in 2-Stufen/Phasen einzustellen. Die 1. Stufe/Phase lautet PL 7 und die Zeitdauer beträgt 1 Minute und 25 Sekunden. Die 2. Stufe/Phase lautet PL5 und beträgt 5 Minuten und 40 Sekunden. Es sind folgende Schritte dafür notwendig:

- a. Im Bereitschaftsmodus, die Taste „1“ 5 Sekunden lang gedrückt halten, „PROGRAMM“ erscheint am Display.
- b. Drücken Sie die Zifferntaste „3“, am Display wird „P:03“ angezeigt. Nach 2 Sekunden wird am Display die verbundene Zeitdauer „00:30“ angezeigt.
- c. Drücken Sie „1“, „2“, „3“, um die Kochdauer einzugeben; „1:25“ wird am Display angezeigt.
- d. Betätigen Sie „Med-Ho 70%“, „PL7“ wird am Display angezeigt. Die Eingabe der 1. Stufe/Phase ist somit beendet.
- e. Drücken Sie „Zeiteingabe“, „STUFE 2“ wird am Display angezeigt. .
- f. Drücken Sie die „5“, „4“, „0“-Tasten, „5:40“ wird am Display angezeigt.
- g. Drücken Sie „Medium 50%“, „PL5“ wird am Display angezeigt. Die Eingabe der 2. Stufe/Phase ist jetzt beendet.
- h. Betätigen Sie die "▶"-Taste, um den Kochvorgang zu starten.
- i. Die Gesamtdauer wird heruntergezählt.

14. Betriebs-Option- Modus

Dieser Modus ermöglicht dem Benutzer, zwischen mehreren Betriebsarten der Mikrowelle auszuwählen.

- 1) Öffnen Sie die Tür der Mikrowelle und halten die Taste „2“ 5 Sekunden lang gedrückt. Ein Summton ertönt einmal und Sie wechseln damit in diesen Modus.
- 2) Das Display zeigt „OP: - -“.
- 3) Drücken Sie eine beliebige Zifferntaste, um in die Einstellungen des entsprechenden Modus zu gelangen. Zum Beispiel: um die Lautstärke des Summtons auf mittel zu stellen. Drücken Sie „2“, „OP:22“ wird angezeigt. Falls Sie die Auswahl weiter verändern möchten, drücken Sie weiterhin „2“, und am Display wird „OP:20“, „OP:21“, „OP:22“, „OP:23“, „OP:20“ und wieder von vorne angezeigt.
- 4) Drücken Sie auf die Taste "▶", um die gegenwärtige Einstellung zu speichern. Nach dem Speichervorgang wird wieder „OP: - -“ angezeigt.
- 5) Während des Einstellvorganges, betätigen Sie die Taste "□", um in den Türentriegelungs-Modus zu gelangen. Durch das Schließen der Tür wechselt das Gerät in den Bereitschaftsmodus.
- 6) Falls die "▶"-Taste nicht als letzter Schritt betätigt wird, kann das Programm nicht gespeichert werden und bleibt damit unverändert.

15. Wartungsmodus

- 1) Öffnen Sie die Tür der Mikrowelle und halten die Taste „3“ 5 Sekunden lang gedrückt, um in den Wartungsmodus zu gelangen.
- 2) Das Display zeigt „WARTUNG“.
- 3) Um die Zeiteinstellungen des Verriegelns und Entriegelns der Tür zu überprüfen, drücken Sie einfach auf die Zifferntaste „3“, am Display werden Ihnen die Zeiteinstellungen gezeigt.
- 4) Wenn Sie die Taste „ 1 “ drücken für die Heizdauer.
Wenn Sie die Taste „ 2 “ drücken für die Heizzyklen.
Wenn Sie die Taste „ 3 “ drücken für die Ent-/Verriegelungs-Zyklen.
Wenn Sie die Taste „ 4 “ drücken, um die Wartungsinformationen zu löschen.

Nur für einige Modelle:

Wenn Sie die Taste „ 5 “ drücken, um die oberen Mag. Ofen Anzeigeverstärker auszuführen.

Wenn Sie die Taste „ 6 “ drücken, um die unteren Mag. Ofen Anzeigeverstärker auszuführen.

- 5) Drücken Sie auf "□", um in den Türentriegelungs-Modus zu gelangen. Durch das Schließen der Tür gelangen Sie in den Bereitschaftsmodus.

16. Anfrage funktion

Drücken Sie während des Garvorgangs in der Mikrowelle auf "Time Entry", um die Leistungsstufe zu überprüfen. LED zeigen die Energie für 3 Sekunden an und schalten dann zum vorhergehenden Zustand zurück. Es ist für mehrstufiges Kochen verfügbar.

17. Werkseinstellungen

Drücken Sie im Bereitschaftsmodus die "⏻"-Taste und „0“, um zu den Werkseinstellungen zu gelangen.

1) Drücken Sie auf "⏻" und „0“, der Summton ertönt einmal und das Display zeigt „ÜBERPRÜFUNG“. Falls sich das Gerät in den Standard-Werkseinstellungen befindet, wird „11“ im Display angezeigt. Nach 3 Sekunden wechselt die Mikrowelle in den Bereitschaftsmodus. Drücken Sie wieder "⏻", um die Displayanzeige zu verlassen und zur Standardanzeige zu gelangen. Falls sich das Gerät nicht in den Standard-Werkseinstellungen befindet, zeigt das Display „00“, drücken Sie auf "⏻", um wieder auf die Werkseinstellungen zu gelangen und das Display zeigt „11“ oder „00“.

2) Falls Sie nicht die "⏻"-Taste betätigen, wenn das Display „00“ anzeigt, werden die Einstellungen zurückgesetzt.

Note: Seien Sie vorsichtig bei der Verwendung, da alle Einstellungen auf die Standard-Werkseinstellungen zurückgesetzt werden.

Fehlersuche und -behebung

| Normal | |
|--|--|
| Mikrowelle stört den Empfang des TV-Gerätes | Der Radio- und TV-Empfang kann durch den Betrieb der Mikrowelle gestört werden. Dabei handelt es sich um ähnliche Störungen wie von kleinen Elektrogeräten, wie Mixer, Staubsauger und elektrische Fön. Das ist völlig normal. |
| Dunkles Licht in der Mikrowelle | Wenn die Mikrowelle mit niedriger Leistung beim Kochen betrieben wird, kann das Licht dunkel sein. Das ist vollkommen normal. |
| Dampf sammelt sich an der Tür, heiße Luft strömt aus den Lüftungsöffnungen | Beim Kochen kann Dampf von Lebensmitteln entweichen. Der meiste Dampf entweicht durch die Lüftung. Aber etwas kann sich an kühlen Flächen wie eben der Tür sammeln. Das ist völlig normal. |
| Die Mikrowelle wurde unabsichtlich ohne Lebensmittel gestartet. | Das Gerät darf nicht ohne Lebensmittel gestartet werden. Das ist sehr gefährlich. |

| Problem | Mögliche Ursache | Lösung |
|---|---|---|
| Mikrowelle kann nicht gestartet werden. | Das Stromkabel ist nicht fest eingesteckt. | Ausstecken. Nach 10 Sekunden wieder einstecken. |
| | Sicherung ist gefallen oder der FI-Schutzschalter hat sich aktiviert. | Ersetzen Sie die Sicherung oder setzen Sie den FI-Schalter zurück (repariert durch einen Fachmann aus unserem Unternehmen). |
| | Probleme mit der Steckdose. | Testen Sie die Steckdose mit anderen elektrischen Geräten. |
| Mikrowelle heizt nicht. | Türe ist nicht gut geschlossen worden. | Schließen Sie die Tür fest. |



Gemäß der Richtlinie über Elektrik- und Elektronikgeräte-Abfall (WEEE-Richtlinie), sollten Abfälle von Elektrik- und Elektronikgeräten gesondert gesammelt und behandelt werden. Falls Sie zu irgendeiner Zeit in der Zukunft solche Produkte wegwerfen, werfen Sie diese Geräte bitte NICHT in den Hausmüll. Schicken Sie diese Geräte zu WEEE-Sammelpunkten, wo diese verfügbar sind.

Lisez attentivement ces instructions avant d'utiliser votre four à micro-ondes et gardez-le soigneusement.

Si vous suivez les instructions, votre four vous fournira de nombreuses années de bon service.

CONSERVEZ CES INSTRUCTIONS AVEC SOIN

Précautions pour éviter une exposition possible à une énergie micro-ondes excessive

(a) N'essayez pas de faire fonctionner ce four avec la porte ouverte car cela peut entraîner une exposition nocive à l'énergie des micro-ondes. Il est important de ne pas casser ou altérer les inter verrouillages de sécurité.

(b) Ne placez aucun objet entre la face avant du four et la porte, et ne laissez pas de résidus de saleté ou de produit nettoyant s'accumuler sur les surfaces d'étanchéité.

(c) **AVERTISSEMENT:** Si la porte ou les joints de la porte sont endommagés, le four ne doit pas être utilisé avant d'avoir été réparé par une personne compétente.

Addenda

Si l'appareil n'est pas maintenu dans un bon état de propreté, sa surface pourrait être dégradée et affecter la durée de vie de l'appareil et conduire à une situation dangereuse.

Spécifications

| | |
|---|-----------------|
| Modèle: | 7455.1662 |
| Tension nominale: | 230V~50Hz |
| Puissance d'entrée nominale (micro-ondes): | 1550W |
| Puissance de sortie nominale (micro-ondes): | 1000W |
| Capacité du four: | 25L |
| Dimensions extérieures: | 511x432x311mm |
| Poids net: | Approx. 14,7 kg |

Consignes de sécurité importantes

ATTENTION

Pour réduire les risques d'incendie, de choc électrique, de blessures corporelles ou d'exposition excessive à l'énergie du four à micro-ondes lors de l'utilisation de l'appareil, suivez les précautions élémentaires suivantes:

1. Avertissement: Les liquides et autres aliments ne doivent pas être chauffés dans des récipients fermés car ils risquent d'exploser.
2. Avertissement: Il est dangereux pour quiconque, sauf une personne compétente, d'effectuer toute opération de réparation ou de réparation impliquant l'enlèvement d'une couverture qui protège contre l'exposition aux micro-ondes.
3. N'utilisez que des ustensiles adaptés aux fours à micro-ondes.
4. Le four doit être nettoyé régulièrement et tout dépôt de nourriture doit être enlevé.
5. Lisez et suivez les instructions spécifiques suivantes: "PRÉCAUTIONS POUR ÉVITER UNE EXPOSITION POSSIBLE À L'ÉNERGIE EXCESSIVE DES MICRO-ONDES».
6. Lorsque vous chauffez des aliments dans des récipients en plastique ou en papier, gardez un œil sur le four en raison de la possibilité d'inflammation.
7. Si de la fumée est observée, éteignez ou débranchez l'appareil et gardez la porte fermée afin d'éteindre les flammes.

8. Les œufs dans leur coquille et les œufs entiers durs ne doivent pas être chauffés dans des fours à micro-ondes, car ils peuvent exploser, même après la fin du chauffage par micro-ondes.
9. Si le cordon d'alimentation est endommagé, il doit être remplacé par le fabricant, son agent de service ou des personnes qualifiées de manière à éviter tout risque.
10. Le fait de ne pas entretenir le four dans des conditions de propreté pourrait entraîner une détérioration de la surface qui pourrait nuire à la vie de l'appareil et entraîner une situation dangereuse.
11. Avertissement: Le contenu des biberons et des bocaux pour bébés doit être agité ou secoué et la température doit être vérifiée avant la consommation afin d'éviter les brûlures.
12. Avertissement: Le chauffage par micro-ondes des boissons peut entraîner une ébullition retardée, il faut donc prendre soin de manipuler le récipient.
13. Cet appareil peut être utilisé par des enfants à partir de 8 ans et des personnes dont les capacités physiques, sensorielles ou mentales sont réduites ou qui manquent d'expérience et de connaissances s'ils ont reçu une supervision ou des instructions concernant l'utilisation de l'appareil les dangers impliqués. Les enfants ne doivent pas jouer avec l'appareil. Le nettoyage et la maintenance de l'utilisateur ne doivent pas être effectués par des enfants sans surveillance.
14. Avertissement: Assurez-vous que l'appareil est éteint avant de remplacer la lampe afin d'éviter tout risque d'électrocution.

À LIRE ATTENTIVEMENT ET CONSERVER POUR RÉFÉRENCE FUTURE

Réduire le risque de blessures pour les personnes

Installation de mise à la terre

Danger

Risque de choc électrique

Le fait de toucher certains composants internes peut entraîner de graves blessures ou la mort. Ne démontez pas cet appareil.

Avertissement

Risque de choc électrique

Une mauvaise utilisation de la mise à la terre peut entraîner un choc électrique. Ne pas brancher sur une prise avant que l'appareil soit correctement installé et mis à la terre.

Nettoyage

Assurez-vous de débrancher l'appareil de l'alimentation électrique.

1. Nettoyez l'intérieur du four après utilisation avec un chiffon légèrement humide.
2. Nettoyez les accessoires de la manière habituelle dans de l'eau savonneuse.
3. Le cadre de la porte et le joint et les pièces voisines doivent être nettoyés avec soin avec un chiffon humide lorsqu'ils sont sales.

Cet appareil doit être mis à la terre. En cas de court-circuit électrique, la mise à la terre réduit le risque de choc électrique en fournissant un fil d'échappement pour le courant électrique. Cet appareil est équipé d'un cordon ayant un fil de mise à la terre avec une fiche de mise à la terre. La fiche doit être branchée dans une prise correctement installée et mise à la terre.

Consultez un électricien ou un technicien qualifié si les instructions de mise à la terre ne sont pas complètement comprises ou s'il existe un doute quant à la mise à la terre de l'appareil. S'il est nécessaire d'utiliser une rallonge, utilisez uniquement une rallonge à 3 fils.

1. Un court cordon d'alimentation est fourni pour réduire les risques d'emmêlement ou de trébuchement sur un câble plus long.
2. Si un long cordon ou une rallonge est utilisé:
 - 1) La note électrique marquée du fil ou de la rallonge doit être au moins aussi grande que la puissance nominale de l'appareil.
 - 2) La rallonge doit être un fil à 3 fils de type mise à la terre.
 - 3) Le long fil doit être disposé de manière à ce qu'il ne soit pas drapé sur le comptoir ou sur une table où il pourrait être tiré par des enfants ou trébuché involontairement.

Attention

Risque de blessure

Il est dangereux pour quiconque, sauf une personne compétente, d'effectuer toute opération d'entretien ou de réparation impliquant l'enlèvement d'un couvercle qui protège contre l'exposition à l'énergie des micro-ondes.

Voir les instructions sur "Matériaux que vous pouvez utiliser dans un four à micro-ondes ou à éviter dans un four à micro-ondes." Il peut y avoir certains ustensiles non métalliques qui ne sont pas sûrs à utiliser pour le four à micro-ondes. En cas de doute, vous pouvez tester l'ustensile en question en suivant la procédure ci-dessous.

Test d'ustensile:

1. Remplissez un contenant pour micro-ondes avec 1 tasse d'eau froide (250 ml) avec l'ustensile en question.
2. Faites cuire à puissance maximale pendant 1 minute.
3. Ressentez soigneusement l'ustensile. Si l'ustensile vide est chaud, ne l'utilisez pas pour la cuisson aux micro-ondes.
4. Ne pas dépasser 1 minute de temps de cuisson.

Matériaux que vous pouvez utiliser dans un four à micro-ondes

| Utensiles | Remarques |
|-------------------------------|---|
| Feuille d'aluminium | Pour couvrir uniquement. De petites pièces lisses peuvent être utilisées pour couvrir des parties minces de viande ou de volaille afin d'éviter une cuisson excessive. L'arc peut se produire si la feuille est trop près des parois du four. La feuille doit être placée à au moins 1 pouce (2,5 cm) des parois du four. |
| Plat à brunir | Suivez les instructions du fabricant. Le fond du plat à brunir doit être posé en douceur sur le plateau en céramique. Une utilisation incorrecte peut entraîner la rupture du panneau en céramique. |
| Vaisselle | Vaisselle à micro-ondes seulement. Suivez les instructions du fabricant. N'utilisez pas de vaisselle fissurée ou ébréchée. |
| Bocaux en verre | Toujours retirer le couvercle. Utilisez seulement pour chauffer les aliments jusqu'à ce qu'ils soient chauds. La plupart des bocaux en verre ne résistent pas à la chaleur et peuvent se briser. |
| Verrerie | Verrerie de four résistant à la chaleur seulement. Assurez-vous qu'il n'y a pas de garniture métallique. N'utilisez pas de vaisselle fissurée ou ébréchée. |
| Four de cuisson | Suivez les instructions du fabricant. Ne fermez pas avec une cravate en métal. Faire des fentes pour permettre à la vapeur de s'échapper. |
| Assiettes et tasses en papier | Utiliser pour une cuisson / réchauffement à court terme seulement. Ne laissez pas le four sans surveillance pendant la cuisson. |
| Serviettes en papier | Utilisez pour couvrir les aliments pour réchauffer et absorber la graisse. Utiliser avec supervision pour une cuisson à court terme seulement. |

| | |
|---------------------|---|
| Parchemin | Utiliser comme couverture pour éviter les éclaboussures ou une enveloppe pour la cuisson à la vapeur. |
| Plastique | Plastique qui peut entrer dans le four à micro-ondes uniquement. Suivez les instructions du fabricant. Devrait être étiqueté "Micro-ondes". Certains récipients en plastique se ramollissent, car la nourriture à l'intérieur devient chaude. Les «bouillottes» et les sacs en plastique hermétiquement fermés doivent être fendus, percés ou ventilés selon les directives de l'emballage. |
| Emballage plastique | Micro-ondes seulement. Utilisez pour couvrir la nourriture pendant la cuisson pour retenir l'humidité. Ne pas laisser l'emballage en plastique toucher les aliments. |
| Thermomètres | Qui convient uniquement aux micro-ondes (thermomètres à viande et à bonbons). |
| Papier paraffiné | Utiliser comme couvercle pour éviter les éclaboussures et retenir l'humidité. |

Matières à éviter dans le four à micro-ondes

| Utensiles | Remarques |
|--|--|
| Plateau en aluminium | Peut causer des arcs. Transférer les aliments dans un plat allant au micro-ondes. |
| Carton alimentaire avec poignée en métal | Peut causer des arcs. Transférer les aliments dans un plat allant au micro-ondes. |
| Ustensiles en métal ou en métal | Le métal protège la nourriture de l'énergie des micro-ondes. La garniture métallique peut causer des arcs. |
| Liens de torsion en métal | Peut causer des arcs électriques et causer un incendie dans le four. |
| Sacs en papier | Peut causer un incendie dans le four. |
| Mousse en plastique | La mousse de plastique peut fondre ou contaminer le liquide à l'intérieur lorsqu'il est exposé à une température élevée. |
| Bois | Le bois s'assèche lorsqu'il est utilisé dans le four à micro-ondes et peut éclater ou se fissurer. |

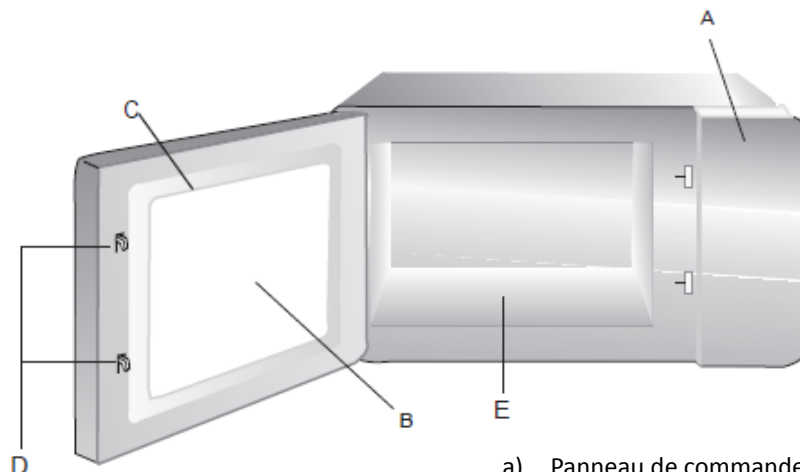
Installation de votre four

Noms des pièces et accessoires du four

Retirez le four et tous les matériaux du carton et de la cavité du four.

Votre four est livré avec les accessoires suivants:

Manuel d'instruction: 1x



- a) Panneau de commande
- b) Fenêtre d'observation
- c) Ensemble de porte
- d) Système de verrouillage de sécurité
- e) Panneau en céramique

Remarque:

- 1) N'appuyez pas sur le panneau en céramique avec force.
- 2) Prenez et mettez les ustensiles doucement pendant l'opération afin d'éviter d'endommager le panneau en céramique.
- 3) Après utilisation, ne touchez pas la plaque de céramique à la main afin d'éviter les brûlures à haute température.

Installation du comptoir

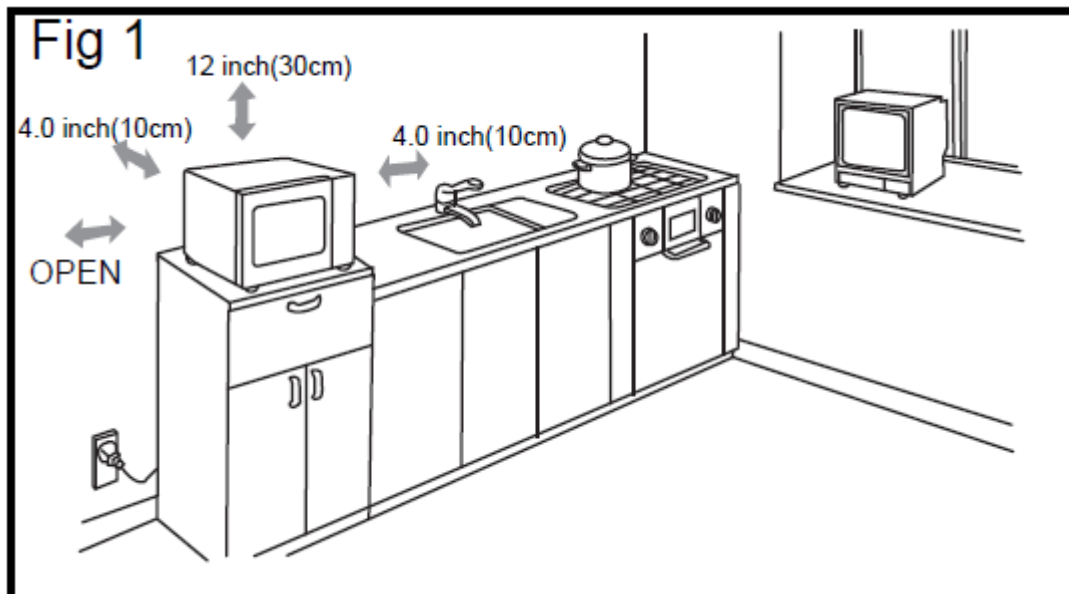
Retirez tous les matériaux d'emballage et les accessoires.

Examinez le four pour détecter tout dommage tel que des bosses ou une porte cassée. Ne pas installer si le four est endommagé.

Armoire: retirez tout film protecteur présent sur la surface de l'armoire du four à micro-ondes.

Installation

1. Sélectionnez une surface plane offrant suffisamment d'espace pour les bouches d'entrée et / ou de sortie (Figure 1).



Un espacement de 10 cm doit être maintenu entre l'appareil et les murs droit et arrière et un espacement de 30 cm doit être maintenu sur le dessus. Ne jamais démonter les pieds de l'appareil ni bloquer l'entrée d'air et l'ouverture d'échappement. Le côté gauche doit être ouvert.

- 1) Le blocage des ouvertures d'admission et / ou de sortie peut endommager le four.
- 2) Placez le four aussi loin que possible des radios et de la télévision. Le fonctionnement du four à micro-ondes peut causer des interférences à la réception de votre radio ou de votre téléviseur.
- 3) Branchez votre four dans une prise de courant standard. Assurez-vous que la tension et la fréquence sont les mêmes que la tension et la fréquence de l'étiquette.
- 4) Avertissement: La prise de courant, les appareils électriques ou l'appareil qui sont responsables de la chaleur et de l'humidité doivent être tenus à l'écart des événements du four.

Instructions de nettoyage

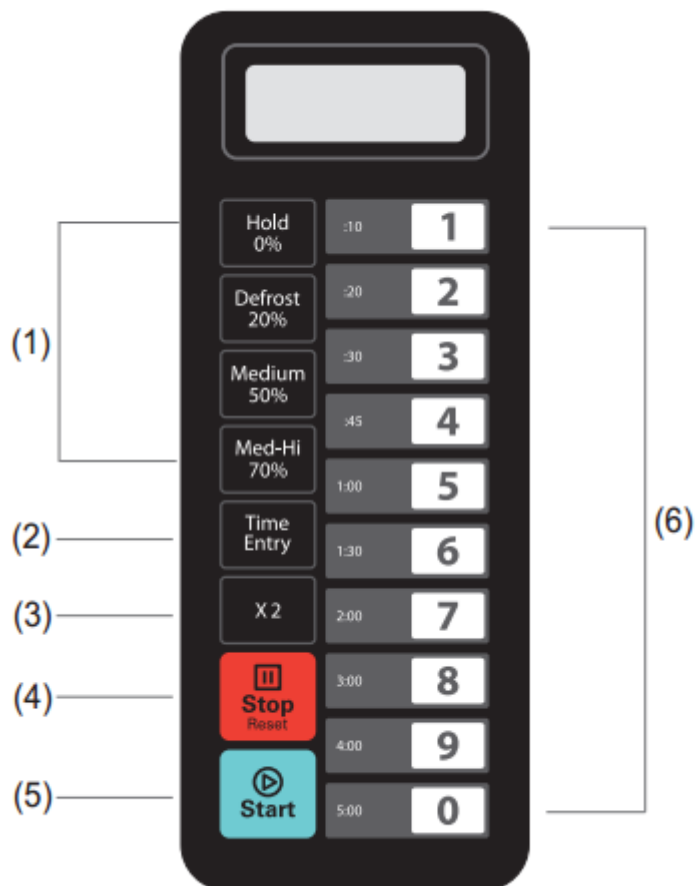
Gardez le four toujours propre

1. Nettoyer la vitre d'observation, le panneau de porte intérieure et la face avant du four.
Pour obtenir les meilleures performances et maintenir un niveau de sécurité élevé, le panneau de la porte intérieure et la face avant du four doivent être exempts de nourriture ou de graisse. Essuyez ces pièces avec un détergent doux, rincez et essuyez. N'utilisez jamais de poudres ou tampons abrasifs.
2. Nettoyage du panneau de commande et des pièces en plastique.
Ne pas appliquer de détergent ou de liquide alcalin sur le tableau de commande et les pièces en plastique car cela pourrait endommager ces pièces. Utilisez un chiffon sec (pas un chiffon trempé) pour nettoyer ces pièces.
3. Nettoyage de l'intérieur du four
Après utilisation, assurez-vous de nettoyer le plus rapidement possible les liquides renversés, les éclaboussures d'huile et les débris de nourriture. Si le four est sale, l'efficacité chute et la saleté reste coincée sur la surface du four et peut provoquer de mauvaises odeurs. Nettoyez l'intérieur avec un chiffon imbibé d'eau tiède avec un détergent doux dissous, puis rincez le savon avec un chiffon humide.

ATTENTION: Ne pas essuyer les parties en plastique et peintes du four avec de l'eau de javel, des diluants ou d'autres produits de nettoyage, car cela pourrait entraîner la dissolution ou le changement de couleur de ces pièces.

Fonctionnement

Panneau de contrôle et fonctionnalités



- 1) Boutons d'alimentation
- 2) Bouton d'entrée de temps
- 3) Bouton de quantité double
- 4) Bouton Stop / Reset
- 5) Bouton Démarrer
- 6) Clavier numérique

Instructions de fonctionnement

Cinq niveaux de puissance sont disponibles.

| | | | | | |
|-----------|------|---------|------|---------|------|
| Level | High | M. High | Med. | Defrost | Hold |
| Puissance | 100% | 70% | 50% | 20% | 0% |
| Display | PL10 | PL7 | PL5 | PL2 | PL0 |

Annexe. A Options de l'utilisateur

Les éléments en gras ci-dessous sont les valeurs par défaut.

| Option | Réglage | Description |
|-----------------------------|---------|--|
| 1 Tonalité EOC | OP:10 | 3 secondes bip |
| | OP:11 | Bip continu |
| | OP:12 | 5 bips rapides, Répétition |
| 2 Volume du bipeur | OP:20 | Beeper désactivé |
| | OP:21 | Faible |
| | OP:22 | Moyen |
| | OP:23 | Haute |
| 3 Beeper On/Off | OP:30 | Keybeep Off |
| | OP:31 | Keybeep On |
| 4 Fenêtre du clavier | OP:40 | 15 secondes |
| | OP:41 | 30 secondes |
| | OP:42 | 60 secondes |
| | OP:43 | 120 secondes |
| 5 À la volée | OP:50 | Désactivation à la volée |
| | OP:51 | Activation à la volée |
| 6 Réinitialisation porte | OP:60 | Réinitialisation de la porte Désactiver |
| | OP:61 | Réinitialisation de la porte Activer |
| 7 Temps Max | OP:70 | 60 minutes de temps de cuisson maximum |
| | OP:71 | Temps de cuisson maximal de 10 minutes |
| 8 Programmation manuelle | OP:80 | Programmation manuelle désactivée |
| | OP:81 | Activation de la programmation manuelle |
| 9 Double chiffre | OP:90 | Des programmes Mode-10 à un seul chiffre |
| | OP:91 | Programmes à deux chiffres Mode-10 |

Annexe. B Temps de cuisson par défaut

Le four doit être expédié avec les temps de cuisson pré-réglés suivants, sauf indication contraire dans les spécifications du produit.

| Bouton | Affichage (temps) | Courant | Facteurs de cuisson |
|--------|-------------------|---------|---------------------|
| 1 | 0:10 | 100% | 80% |
| 2 | 0:20 | 100% | 80% |
| 3 | 0:30 | 100% | 80% |
| 4 | 0:45 | 100% | 80% |
| 5 | 1:00 | 100% | 80% |
| 6 | 1:30 | 100% | 80% |
| 7 | 2:00 | 100% | 80% |
| 8 | 3:00 | 100% | 80% |
| 9 | 4:00 | 100% | 80% |
| 0 | 5:00 | 100% | 80% |

1. Allumage

"-----" s'affiche lorsque le four est allumé pour la première fois. Si le bouton "☐" est pressé, le four passe en mode veille. Remarque: En mode veille, aucune touche ne peut être pressée.

2. Mode veille

1) Entrée. Le four doit passer en mode inactif après l'expiration d'un certain nombre de secondes en mode Prêt sans appuyer sur le clavier ou une porte s'ouvrir et se fermer. Le nombre de secondes est déterminé par la fenêtre Timeout du clavier, définie par User Option 4.

2) En mode veille, LED est vide. Et il n'y aura pas d'activité du four.

3) En ouvrant puis en fermant la porte du four, le four sortira du mode veille et en mode prêt.

3. Mode Prêt

1) Dans ce mode, le four est prêt à commencer un cycle de cuisson manuel ou pré-réglé.

2) En mode Prêt, "0 :00" s'affiche.

3) En mode Prêt, le four peut passer à presque tous les autres modes.

4) Seuls les ventilateurs et les lampes fonctionnent.

4. Mode d'ouverture de la porte

1) Lorsque la porte du four est ouverte, le four doit être en mode d'ouverture de la porte.

2) Pendant ce mode, LED est vide. Et le ventilateur et la lampe du four fonctionnent.

3) Lorsque la porte est fermée, si l'option Option OP: 60 est sélectionnée et que le four fonctionne en mode manuel ou pré-réglé, le four passe en mode Pause. Dans tous les autres cas, le four doit revenir en mode avec l'option OP de l'utilisateur: 61

réglé, ouvrir et fermer la porte effacera toute information concernant un programme manuel ou pré-réglé en cours d'exécution.

5. Mode de pause

1) Ce mode permet aux utilisateurs d'arrêter temporairement le cycle de cuisson pour inspecter ou remuer l'aliment.

2) En mode de cuisson manuelle ou pré-réglée, si la porte est ouverte ou fermée, ou si vous appuyez sur la touche "☐", le four passe en mode de pause.

3) Pendant la pause, affiche le temps de cuisson restant.

4) Seuls les ventilateurs et les lampes fonctionnent.

4) Le mode de pause revient au mode repos en mode prêt, en fonction de l'option utilisateur 4. En outre, si le bouton "☐" est enfoncé, le four doit immédiatement passer en mode Prêt. OU si vous appuyez sur le bouton "▶", le four ira en mode de travail.

6. Mode d'entrée manuelle de cuisson

1) L'utilisateur peut entrer manuellement un temps de cuisson et un niveau de puissance dans ce mode.

2) Lorsque le four est en mode Prêt, appuyez sur la touche «Time Entry» du clavier pour mettre le four en mode d'entrée de cuisson manuelle.

3) Pendant ce mode, "00:00" s'affiche, entrez le temps dont vous avez besoin.

4) Si vous appuyez sur la touche "Maintenir 0%", "Dégivrer 20%", "Moyen 50%" ou "Med-Hi 70%" pour sélectionner le niveau de puissance, l'écran affichera la puissance associée. Si le même bouton est appuyé deux fois, l'alimentation passera à PL10. Si aucune puissance n'est choisie, "PL 0" est par défaut.

5) Pendant le processus de réglage, appuyez sur "▶" pour accéder au mode de cuisson manuel. Appuyez sur "☐" pour accéder au mode Prêt.

7. Mode manuel de cuisson

- 1) Ce mode permet de cuire les aliments. En mode de cuisson manuelle, appuyez sur la touche "▶" pour faire démarrer le mode de cuisson manuel.
- 2) Pendant ce mode, le temps de cuisson restant s'affiche. Le ventilateur et la lampe du four s'allumeront.
- 3) Lorsque le programme de cuisson est terminé, le four passe en mode de fin de cuisson. Si vous appuyez sur le bouton "⏏" sous ce mode, le four passera en mode Pause.

8. Fin du cycle de cuisson

- 1) Lorsque le temps a expiré en mode de cuisson manuelle ou en mode de cuisson programmée, le four doit passer en mode de fin de cuisson.
- 2) Pendant ce mode, "END" s'affiche.
- 3) Si l'option OP: 11 ou "OP: 12" est sélectionnée, le four continuera de sonner jusqu'à ce que l'utilisateur reconnaisse cela en ouvrant et en fermant la porte ou en appuyant sur le bouton "⏏". Si l'option utilisateur OP: 10 est sélectionnée, après le bip de 3 secondes, le four passe en mode veille.

9. Mode de cuisson du programme préréglé

- 1) Ce mode permet de cuire des aliments à l'aide d'une opération tactile d'un seul tenant. En mode Prêt, en appuyant sur l'une des touches numériques du clavier, le four exécutera le programme de préréglage associé à cette touche.
- 2) Pendant ce mode, affiche le temps de cuisson restant. S'il s'agit d'une cuisson en plusieurs étapes, le temps total de cuisson restant n'indique pas un temps de cuisson particulier.
- 3) Lorsque le programme de cuisson est terminé, le four passe en mode de fin de cuisson. Si vous appuyez sur le bouton "⏏" sous ce mode, le four passera en mode Pause.

10. Cuisiner à la volée

- 1) Lorsque le four est en train de cuire, si l'option utilisateur OP: 51 est sélectionnée, appuyez sur les touches numériques, le programme de cuisson préréglé démarre automatiquement.
- 2) L'écran affiche le temps de cuisson restant.
- 3) Lorsque le programme de cuisson est terminé, le four passe en mode de fin de cuisson. Si vous appuyez sur le bouton "⏏" sous ce mode, le four passera en mode Pause.

11. Mode de programmation

Ce mode permet à l'utilisateur d'attribuer des temps de cuisson et des niveaux de puissance au bouton une fois touché.

- 1) Ouvrez la porte et appuyez sur la touche "1" pendant 5 secondes, le buzzer retentit une fois et passe en mode de programmation.
- 2) "PROGRAM" s'affiche. Vous pouvez appuyer sur les touches numériques pour entrer le temps dont vous avez besoin.
- 3) Appuyez sur Tenir 0%, Dégivrer 20%, Moyen 50% ou Med-Hi 70% pour entrer le niveau de puissance. changera en PL 10. Si aucune puissance n'est choisie, "PL 0" est la valeur par défaut NOTE: Réglez d'abord l'heure, puis choisissez l'alimentation.
- 4) Pour changer les facteurs de cuisson: Si vous appuyez sur "X2", l'écran affichera "CF: XX". Le facteur par défaut est de 80%. "CF: 80" s'affiche. Si vous avez besoin de changer la cuisson, appuyez simplement sur une des touches numériques pour régler.
- 5) Après avoir réglé l'heure et la puissance, appuyez sur "▶", le programme de cuisson sera sauvegardé. Lorsque le programme est sauvegardé, "PROGRAM" s'affiche.
- 6) Si tout le temps de cuisson dépasse le MAX. time User Option 7, lorsque vous appuyez sur "▶" pour enregistrer le programme, l'avertisseur sonore retentit brièvement trois fois pour vous dire que l'heure n'est pas utile. Et puis revient en arrière pour afficher "PROGRAM". Le temps fixé avant ne changera pas.

7) Fermez la porte, le four repasse en mode Prêt. Si vous appuyez sur le bouton "☐" pendant le processus de réglage, le four tourne en mode d'ouverture de porte. Le programme qui n'a pas été enregistré sera perdu. S'il y a un programme enregistré en tant que procédure de mémoire, appuyez sur le bouton correspondant, le programme sauvegardé commencera. Si aucun programme enregistré, le buzzer ne s'alarme lorsque vous appuyez sur le bouton numérique et cela ne fonctionnera pas. Par exemple: définissez le programme comme mémoire de cuisson. Le niveau de puissance PL7 et le temps de cuisson sont de 1 minute et 25 secondes.

Étape 1: Dans le Mode Prêt, appuyez sur le bouton numérique "1" pendant 5 secondes, "PROGRAM" s'affiche.

Étape 2: Appuyez sur le bouton numérique "3", l'écran affichera "P: 03". Après deux secondes, l'écran affichera l'heure correspondante ": 30".

Étape 3: Appuyez sur les touches numériques «1», «2» et «5» pour entrer le temps de cuisson.

Étape 4: Appuyez sur le bouton "Med-Hi / 70%", "PL7" s'affiche. Réglage terminé.

Étape: Appuyez sur "▶" pour sauvegarder. Lorsque vous utiliserez le programme la prochaine fois, appuyez simplement sur "3", le programme associé commencera.

Remarque:

1. Si l'électricité est coupée, le programme sauvegardé ne sera pas perdu.
2. Si le programme doit être réinitialisé, répétez simplement les étapes ci-dessus.
3. Si vous appuyez sur "☐" à la dernière étape, il reviendra au mode Prêt. Le réglage ne sera pas utile.

12. Double quantité de cuisson

1) Grâce à l'utilisation du pad X2, l'utilisateur peut facilement régler l'heure d'un aliment en particulier.

2) Si le bouton "X2" est pressé en mode prêt, suivi du démarrage d'un programme pré-réglé ou si vous appuyez sur la touche "X2" dans les 5 secondes qui suivent le démarrage d'un programme pré-réglé, temps de cuisson.

3) Appuyez sur "X2", "DOUBLE" s'affiche. Lorsque vous appuyez sur les touches numériques, l'écran affiche la durée prédéfinie.

Par exemple, le bouton numérique "5" et son heure pré-réglée sont 1 minute. Puis appuyez sur "X2", puis l'heure passera à 1: 00 * (1 + 0,8) = 1: 48 (1 minute et 48 secondes).

4) Lorsque le programme de cuisson est terminé, le four passe en mode de fin de cuisson.

13. Programmation de cuisson sur scène

Cela permet à l'utilisateur de cuire des aliments en mode de cuisson manuelle et en mode de programmation.

1) Trois étapes peuvent être définies au maximum en mode de cuisson ou en mode de programmation. Après avoir réglé la puissance et l'heure pour la première étape, appuyez sur "Time Entry" pour régler la deuxième étape. Et la même étape pour définir la troisième étape.

2) Lors du réglage de la deuxième, troisième étape, appuyez sur "Time Entry", "STAGE 2", "STAGE 3".

3) Appuyez sur le bouton "▶" pour commencer la cuisson.

Exemple: En mode de programmation, appuyez sur les touches numériques "3" pour régler la cuisson en deux étapes. La première étape est PL 7 et le temps est de 1 minute 25 secondes. La deuxième étape est PL5 et 5 minutes et 40 secondes. Les étapes sont les suivantes:

a. Dans le Mode Prêt, appuyez sur le bouton numérique "1" pendant 5 secondes, "PROGRAM" s'affiche.

b. Appuyez sur le bouton numérique "3", l'écran affichera "P: 03", Après deux secondes, l'écran affichera le temps correspondant ": 30".

c. Appuyez sur "1", "2", "5" pour entrer le temps de cuisson. Affichages "1:25".

d. Appuyez sur "Med-Hi 70%", "PL7". La première étape est terminée.

e. Appuyez sur "Time Entry", "STAGE 2" s'affiche.

f. Appuyez sur "5", "4", "0", "5:40" s'affiche.

g. Appuyez sur "Medium 50%", "PL5" s'affiche. La deuxième étape est terminée.

h. Appuyez sur le bouton "▶" pour commencer la cuisson.

i. Le temps total décompte.

14. Utilisez le mode Option

Cela permet à l'utilisateur de choisir entre différents modes de fonctionnement du four.

- 1) Ouvrez la porte du four et appuyez sur la touche "2" pendant 5 secondes. Le buzzer sonne une fois et entre dans ce mode.
- 2) L'écran affiche "OP: - -".
- 3) Appuyez sur n'importe quel bouton numérique pour accéder au réglage du mode associé. Par exemple: pour régler la voix du buzzer sur medium. Appuyez sur "2", "OP: 22" s'affiche. Si vous voulez changer, continuez à appuyer sur "2", affiche "OP: 20", "OP: 21", "OP: 22" "OP: 23", "OP: 20" en cycle.
- 4) Appuyez sur "⏪" pour sauvegarder le réglage actuel. Après l'enregistrement, "OP: - -" s'affiche à nouveau.
- 5) Pendant le processus de réglage, appuyez sur "☐" pour accéder au mode d'ouverture de porte. Fermez la porte pour accéder au mode Prêt.
- 6) Si vous n'appuyez pas sur le bouton "⏪" à la dernière étape, le programme ne peut pas être sauvegardé mais reste au mode précédent.

15. Mode de service

- 1) Ouvrez la porte du four et appuyez sur la touche "3" pendant 5 secondes pour passer en mode service.
 - 2) L'écran affiche "SERVICE".
 - 3) Pour vérifier les temps de fermeture ou d'ouverture de la porte, appuyez simplement sur le bouton numérique "3", l'écran affichera les heures.
 - 4) Appuyez sur "1" pour les heures de tube.
 - Appuyez sur la touche "2" pour les cycles de tube.
 - Appuyez sur la touche "3" pour les cycles de porte.
 - Appuyez sur "4" pad pour effacer les informations de service.
- Seulement pour certains modèles:
- Appuyez sur "5" pad pour exécuter le Top Mag. Le four affiche des ampères.
- Appuyez sur "6" pad pour exécuter le Bottom Mag. Le four affiche des ampères.
- 5) Appuyez sur "☐" pour accéder au mode d'ouverture de porte. Fermez la porte pour accéder au mode Prêt.

16. Fonction d'enquête

Pendant le processus de cuisson au micro-ondes, appuyez sur "Time Entry" pour vérifier le niveau de puissance. Les LED affichent l'alimentation pendant 3 secondes, puis reviennent à l'état précédent. Il est disponible pour la cuisson en plusieurs étapes.

17. Réglage par défaut

En mode Prêt, appuyez sur "⏪" et "0" pour rétablir les paramètres par défaut.

- 1) Appuyez sur "⏪" et "0", le buzzer retentit une fois et l'écran affiche "CHECK". S'il est réglé en usine, le four affichera 11, après trois secondes, en mode prêt Appuyez sur "⏪". pour annuler l'affichage et revenir en arrière dans le processus d'affichage. Sinon, l'écran affichera «00», appuyez sur «⏪» sur le réglage par défaut, l'écran affichera «11» ou «00».
 - 2) Si vous n'appuyez pas sur "⏪" lorsque l'affichage "00", le réglage sera annulé.
- Remarque: Faites attention lors de l'opération, car elle rétablira toutes les configurations par défaut.

Dépannage

| Normal | |
|--|---|
| Four à micro-ondes interférant réception TV | La réception de la radio et de la télévision peut être perturbée lorsque le four à micro-ondes fonctionne. Il est similaire à l'interférence des petits appareils électriques, comme le mélangeur, l'aspirateur et le ventilateur électrique. C'est normal. |
| Dim lumière du four | Dans la cuisson aux micro-ondes de faible puissance, la lumière du four peut devenir faible. C'est normal. |
| La vapeur s'accumule sur la porte, l'air chaud sort des événements | En cuisine, de la vapeur peut sortir de la nourriture. La plupart vont sortir des événements. Mais certains peuvent s'accumuler sur un endroit frais comme la porte du four. C'est normal. |
| Le four a démarré accidentellement sans nourriture | Il est interdit de faire fonctionner l'appareil sans nourriture à l'intérieur. C'est très dangereux. |

| Problème | Cause probable | Remède |
|-----------------------------------|---|---|
| Le four ne peut pas être démarré. | Le fil d'alimentation n'est pas bien branché. | Débrancher. Puis rebranchez-le après 10 secondes. |
| | Le fusible ou le disjoncteur fonctionne. | Remplacez le fusible ou réenclenchez le disjoncteur (réparé par le personnel professionnel de notre société). |
| | Problème avec la sortie. | Prise de test avec d'autres appareils électriques. |
| Le four ne chauffe pas | La porte n'est pas bien fermée. | Fermez bien la porte. |



Selon la directive relative aux déchets d'équipements électriques et électroniques (DEEE), les DEEE doivent être collectés et traités séparément. Si, à l'avenir, vous devez jeter ce produit, veuillez NE PAS jeter ce produit avec les ordures ménagères. Veuillez envoyer ce produit aux points de collecte des DEEE, le cas échéant.