

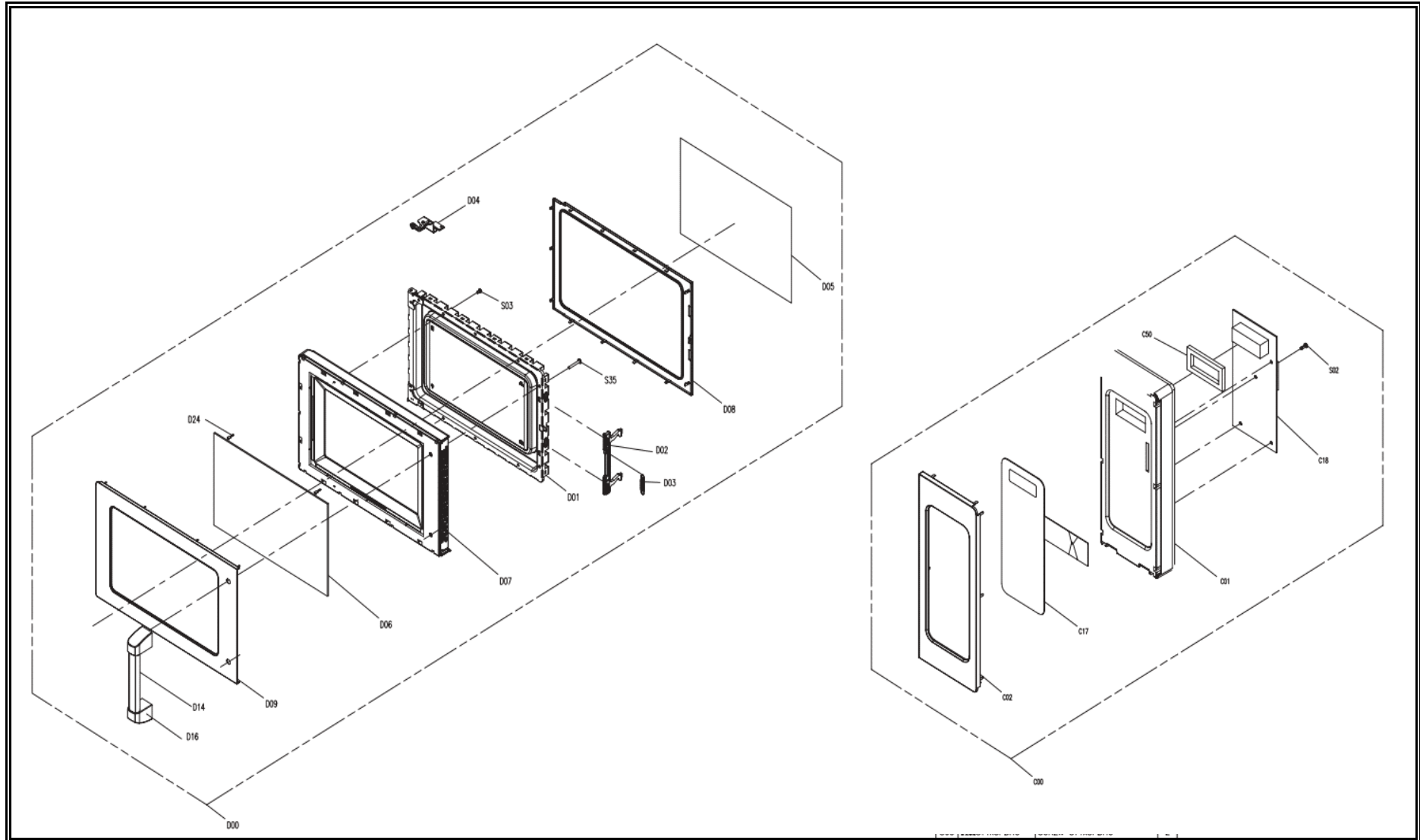


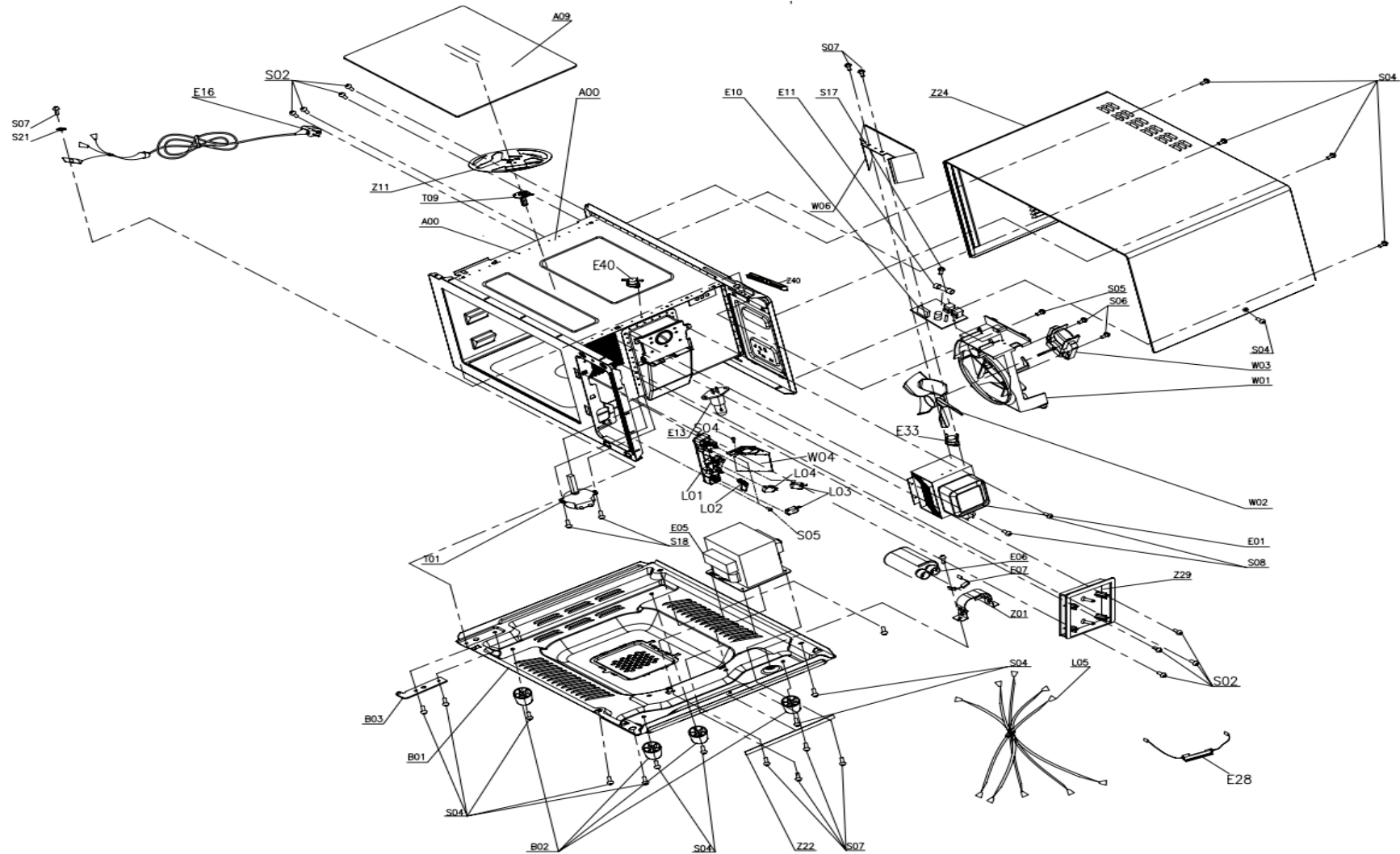
7455.1662

Onderdelen informatie
Erzatzteil information
Spare part information
Information de pièces









POS:	Art.No.:	Omschrijving:	Aantal:
A00+T01+T09+Z11+A09		Cavity Assembly	1
B01		Baseplate	1
B02		Foot	4
B03		Hinge Assembly	1
C00		Control Panel Assembly	1
C01		Control Panel	1
C02		C/Panel Decoration	1
C18		PCB	1
C26	CS9151.0335	Membrane Switch	1
C50		Sealing Ring	1
D00		Door Assembly	1
D01+D05		Door Frame Drop Glue Assembly	1
D02		Latch	1
D03		Latch Spring	1
D04		Hinge	1
D06		Glass Door Screen	1
D07		Door Panel	1
D08		Door Gasket	1
D09		Door Decoration	1
D14		Handle Assembly	1
E01	CS9141.0070	Magnetron	1
E05	CS9993.2217	H.V.Transformer	1
E06	CS9151.0330	H.V.Capacitor	1
E07	CS9151.0295	H.V.Diode	1
E10+E11		Noise Fliter Assembly	1
E13		Integrated Lamp	1
E16		Power Cord	1
E28		Fuse	1
E33		Thermostat	1
E40		Thermostat 110°C	1
L01		Latch Board	1
L02		Interlock Lever	1
L03	CS9151.0230	Microswitch NO	2
L04	CS9151.0280	Microswitch NC	1
L05		Main Wire Harness	1
W01		Fan Guide	1
W02		Fan	1
W03		Brushless DC Motor	1
W04		Wind Guide Cover	1
W06		Air Duct	1
Z01		Capacitor Holder	1
Z22		Shockproof Bar	1
Z24		Cover	1



Onderdelenlijst 7455.1662

POS:	Art.No.:	Omschrijving:	Aantal:
Z29		Oil Baffle	1
Z40		Sealing Water Bracket	1
C17	CS9151.0335	Folie	1