



7450.1210

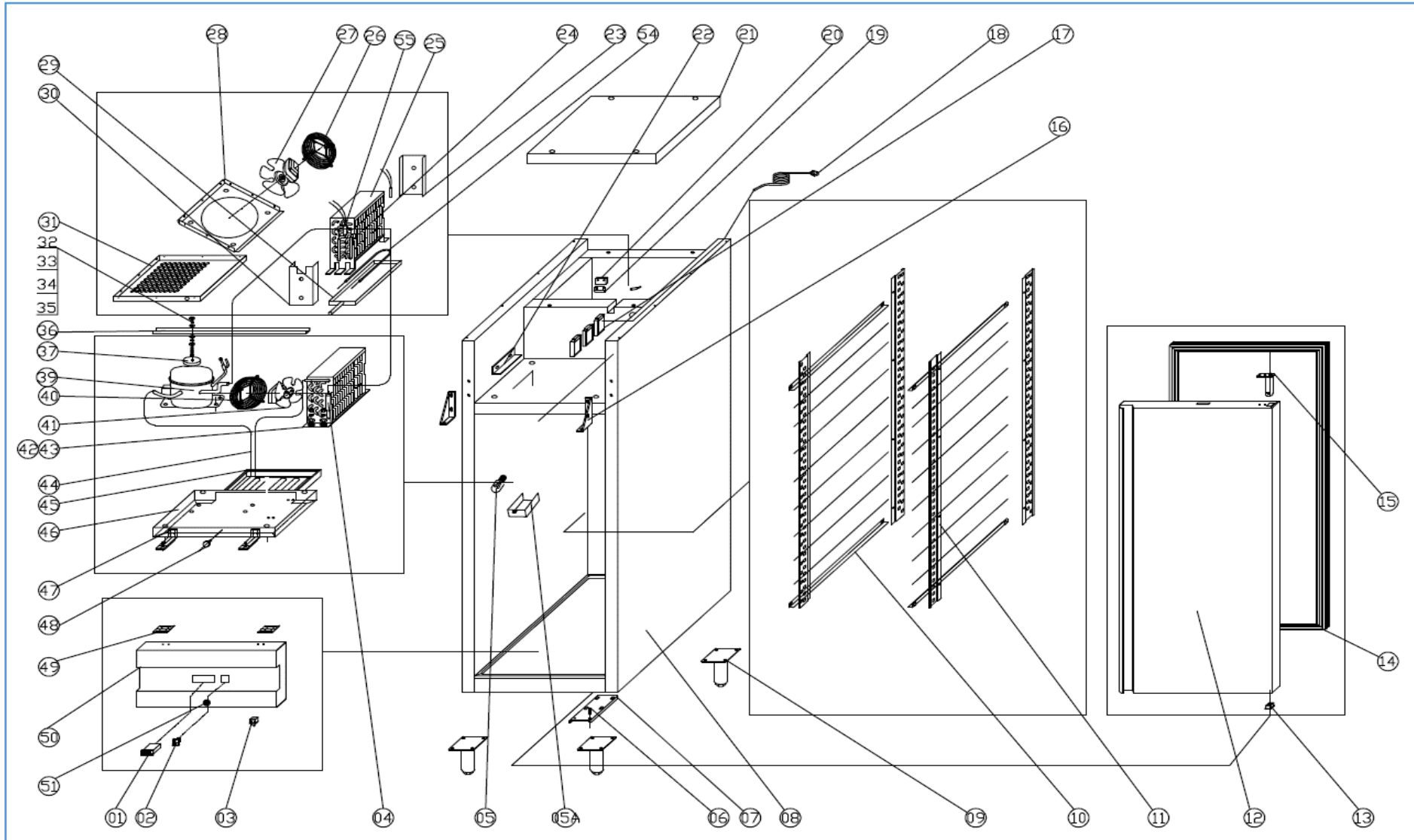
Onderdelen informatie

Erzatzteil information

Spare part information

Information de pièces





Onderdelenlijst 7450.1210

POS:	Art.No.:	Omschrijving:	Aantal:
1	9390.1905	THERMOSTAT	1PC
2	9108.0244	MAIN SWITCH	1PC
3	9338.0170	DOOR SWITCH	1PC
4	9338.1980	FILTER DRAYER	
5		LAMP	1PC
05A		LAMP COVER	1PC
6	9338.0100	DOWN HINGE AXIS	1PC
7	9338.0225	DOWN HINGE	1PC
8		BODY	1PC
9	4627.052	FEET	4PCS
10		GUIDE/LEFT/RIGHT	10pairs
11		SUPPORT/RIGHT/RIGHT	4PCS
12	9338.0610	DOOR	1PC
13	9338.0235	DOWN HINGE AXIS JACKET	1PC
14	9338.0605	GASKET	1PC
15	9635.0150	DOOR SPRING	1PC
16	9338.0220	UP HINGE	2PCS
17		JUNCTION BOX	2PCS
18		PLUG	1PC
19	9338.1502	PROBE PADDING	1PC
20		SENSOR FIXED CLIP	1PC
21		TOP	1PC
22	9338.4000	FIXING STRIP	
33		EVAPORATOR BACK GUIDE	1PC
24		EVAPORATOR	1PC
25		EVAPORATOR COVER	1PC
26		WALL RING	1PC
27	9390.0130	EVAPORATOR FAN	1PC
28		FAN SUPPORT	1PC
29		EVAPORATOR WATER PAN	1PC
30		EVAPORATOR FRONT GUIDE	1PC
31		AIRFLOW DUCT BOARD	1PC
32		BOLT	2PCS
33		WASHER	2PCS
34		SPRING WASHER	2PCS
35		NUT	2PCS
36		COMPRESSOR SAFETY BAND	1PC
37		SAFETY PADDING RUBBER	
39	9338.0320	COMPRESSOR	1PC
40		BASKET GUARD GRILLES	1PC
41	9338.1980	CONDENSER FAN	1PC
42		FILTER	1PC
43	9338.1030	CONDENSER	1PC
44		DISCHARGE TUBE	1PC
45		CONDENSATE EVAPORATOR PAN	1PC
46		UNIT BOARD	1PC
47		FRONT PANEL FIXED CLIP	2PCS

Onderdelenlijst 7450.1210

POS:	Art.No.:	Omschrijving:	Aantal:
48	9338.1195	HANDLE	1PC
49		HINGE	2PCS
50		FRONT PANEL	1PC
51	9338.0300	LOCK	1PC
54		DEFROSTING HEATING ELEMENT	1PC
55	9338.1460	PROTECTOR FOR HEATING ELEMENT	1PC
56	9108.0244	MAIN SWITCH	1PC