

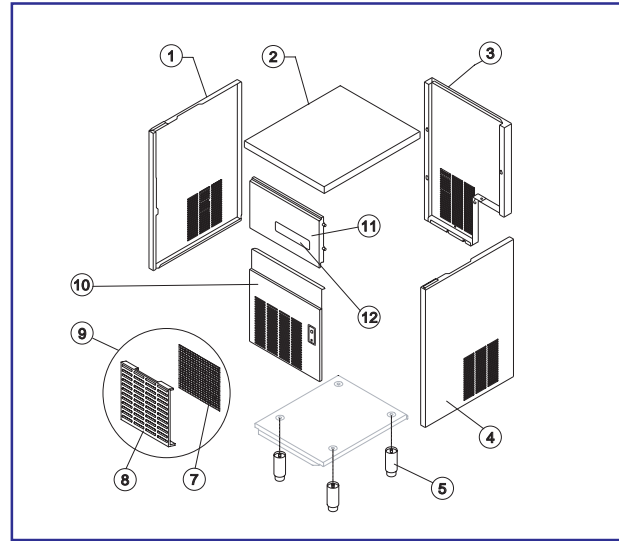
# SL 70 R290 R - 2020

# LIST OF THE EXPLODED VIEWS

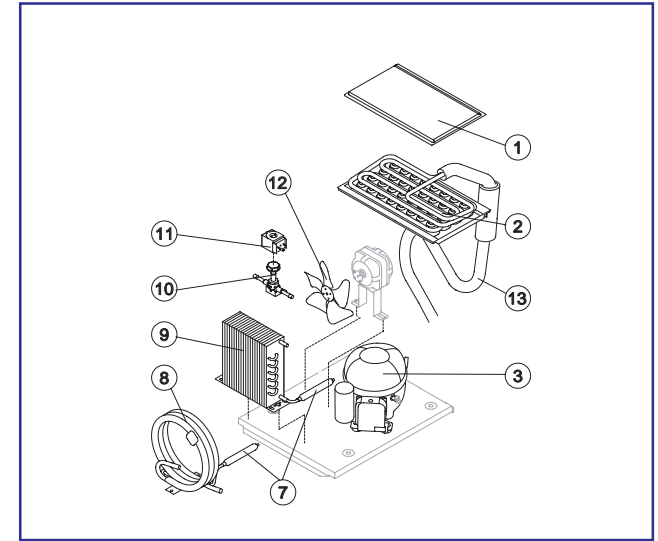
Rev. 1 - 11/01/2021



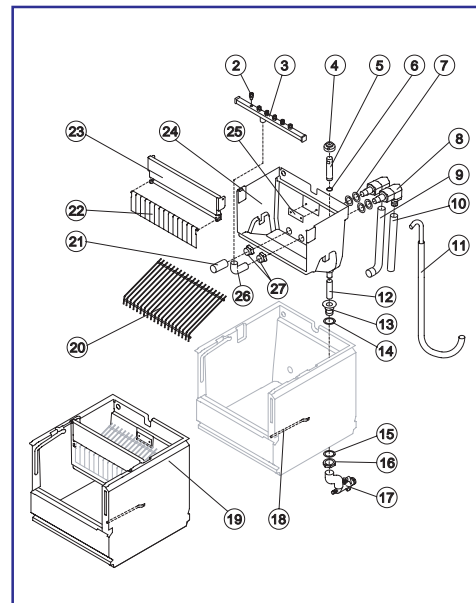
### SHELL ASSY



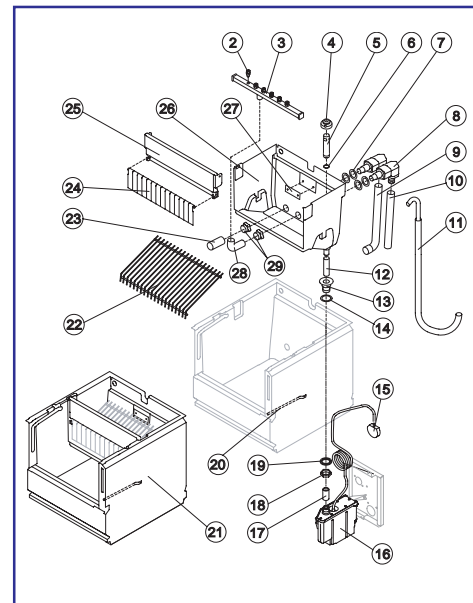
### COOLING SYSTEM



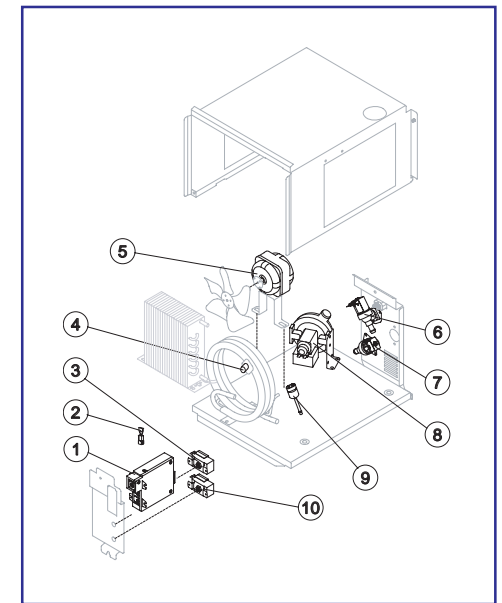
### HYDRAULIC CIRCUIT SL70A/W



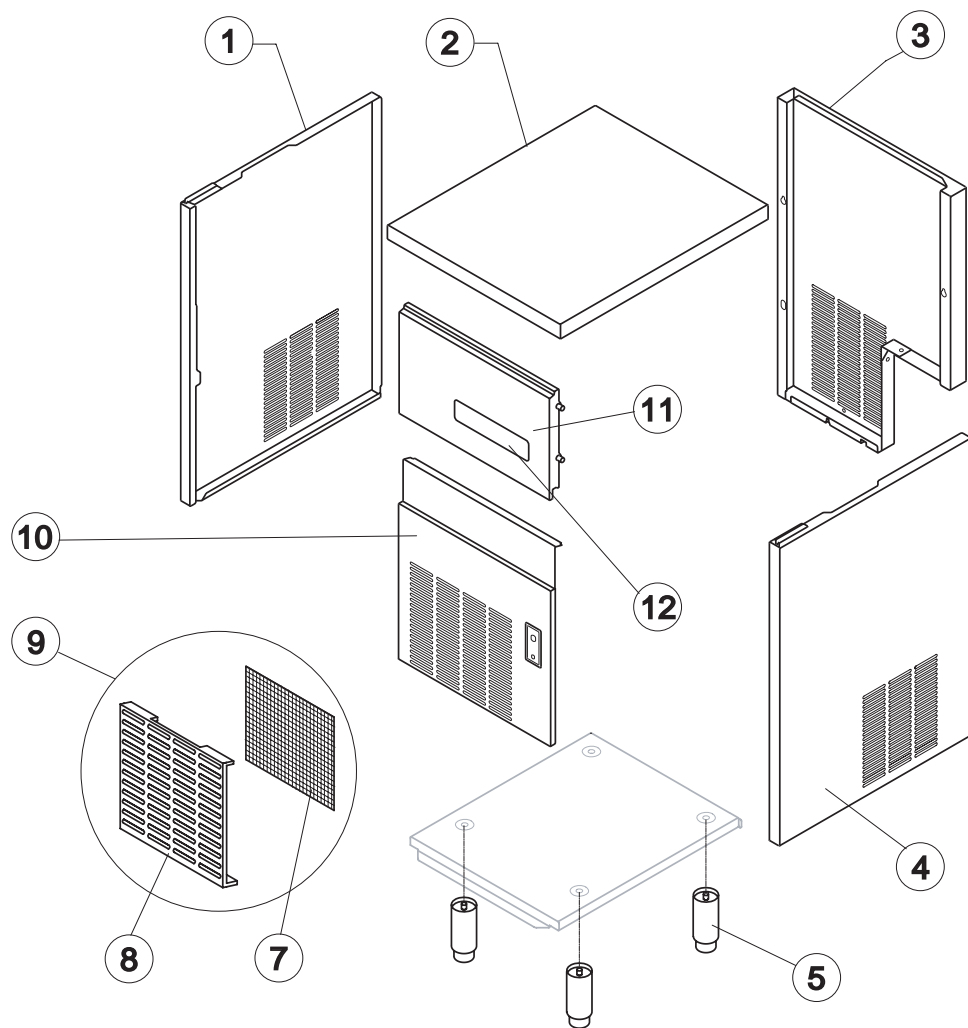
### HYDRAULIC CIRCUIT SL70A DP



### ELECTRIC PARTS



Rev. 1 - 11/01/2021



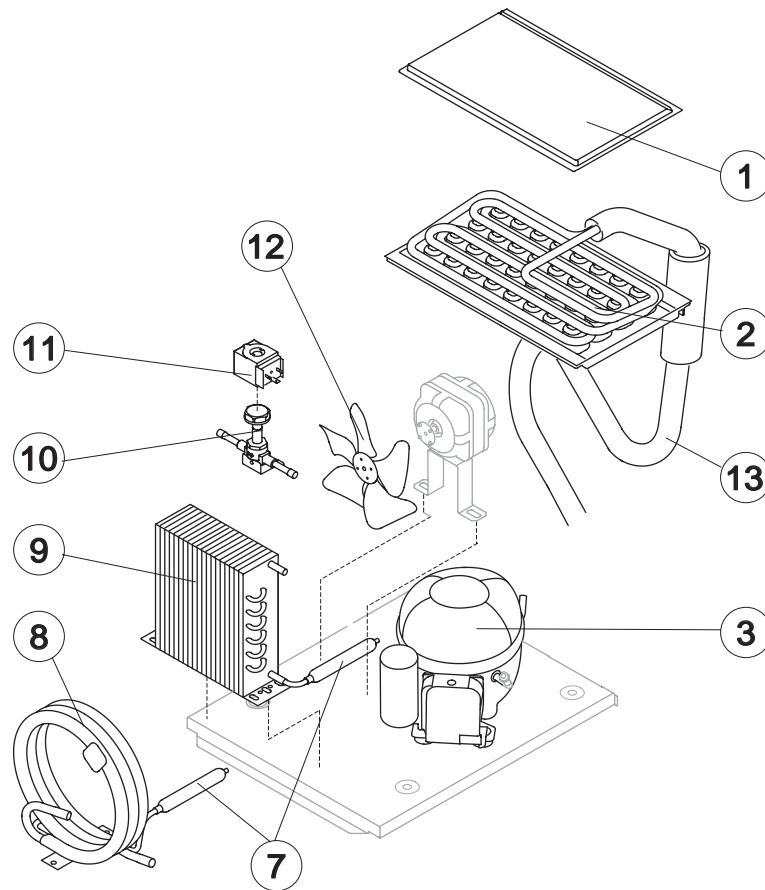
Ref.	Spare Description	Code
1	Assembly Left Side Panel	C221968
2	Top	221966
3	Rear Side Panel	21562
4	Assembly Right Side Panel	C221969
5	Foot	20613
7	Filter	18243
8	Grid	10697
9	Grid Assembly	C10697
10	Front Panel	C221971
11	Door Assembly	C10360
12	Resinated Logo	241330

# SL 70 R290 R - 2020

# COOLING SYSTEM

## SL 70A R290/ SL 70W R290/ SL 70A R290 DP

Rev. 1 - 11/01/2021



### Common Parts

Ref.	Spare Description	Code
1	Evaporator Cover Panel	10513
2	Evaporator Assy	See Table
3	Compressore	231159
7*	Molecular Drier	14009
10*	Hot Gas Valve Body	201129
11*	Hot Gas Valve Coil	231294
12	Suction Fan	See Table
13	Suction Line	for the spare parts code give us the s/n.

### Parts for Air-Cooled Version Only

Ref.	Spare Description	Code
9	Air Condenser	201234

### Parts for Water-Cooled Version Only

Ref.	Spare Description	Code
8	Water Condenser	14014

### Ref. 2 - Evaporator

Kind of Cube	Code
17 g. (Standard)	D10046
32 g.	D10089
14 g.	D10417
41 g.	D10465

### Ref. 12 - Suction Fan

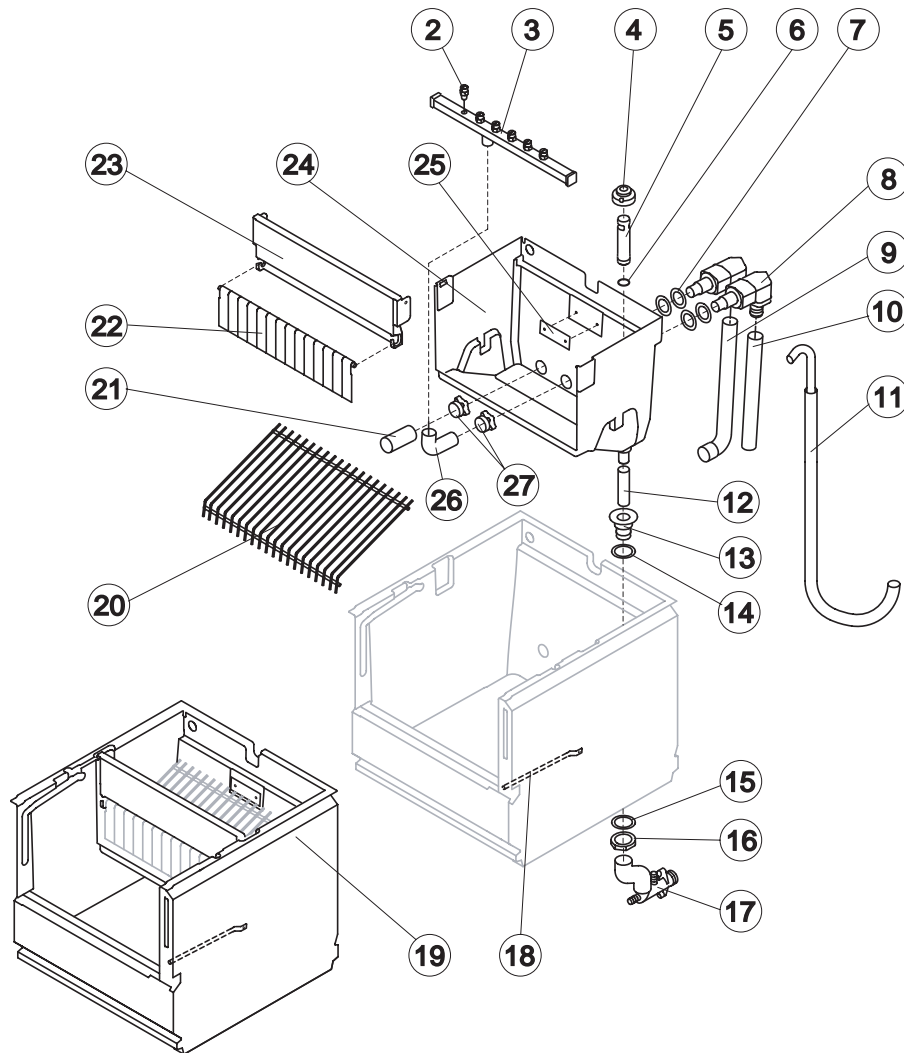
Voltage	Air	Water
220/240V 50 Hz	20096	10213

# SL 70 R290 R - 2020

# HYDRAULIC CIRCUIT

## SL 70A R290/ SL 70W R290

Rev. 1 - 11/01/2021



### Common Parts

Ref.	Spare Description	Code
2	Sprayer	D20002
3*	Sprayers Bar Assembly	See Table
4*	Overflow Cap	10305
5*	Overflow Pipe	10133
6*	OR Gasket for Overflow Pipe	20233
7	Gasket for Pump Suction/Delivery Pipes	13220
8	Insulated Pump Suction/Delivery Fitting	C10653
9	Insulated Pump Suction Pipe	C13172
10	Insulated Pump Delivery Pipe	C13175295
11*	Water Supply Pipe to the Evaporator	C13224
12*	Overflow Pipe	13107
13	Water Outlet Nipple	10472
14	Silicone Gasket	13219
15	Semirigid Polyethylene Gasket	13007
16	Bin Discharge Nut	10096
18	Bulbe-holder Pipe	20522
19	Complete Basin Assembly	C11257
20*	Ice Cubes Slide	See Table
21*	Pump Suction Filter	20005
22	Rod with Flags	10534
23	Flags ABS Support	10526
24	Inner Basin	10916
25	Slide Keep Plate	10009
26	Sprayers Feeding Pipe	13005
27	Fittings Locking Ringa	10654

### Ref. 3\* - Sprayers Bar Assembly

Kind of Cube	Code
17 g. (Standard)	C201070
32 g.	C201090
14 g.	C201072
41 g.	C201090

### Ref. 20\* - Ice Cubes Slide

Kind of Cube	Code
17 g. (Standard)	D12008
32 g.	D12030
14 g.	D12038
41 g.	D12030

### Parts for Air-Cooled Version Only

Ref.	Spare Description	Code
17	Discharges Manifold	C10006

### Parts for Water-Cooled Version Only

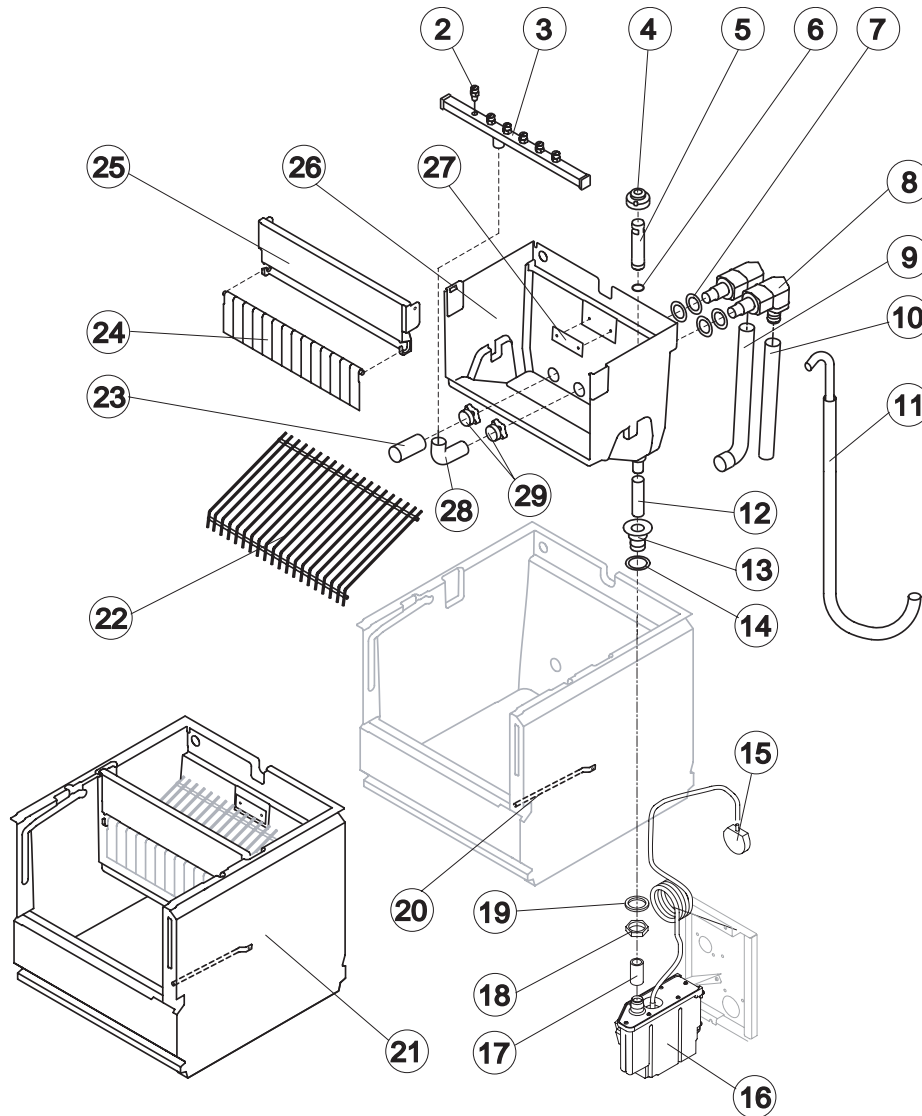
Ref.	Spare Description	Code
17	Discharges Manifold	C26452

# SL 70 R290 R - 2020

# HYDRAULIC CIRCUIT

## SL 70A R290 DP

Rev. 1 - 11/01/2021



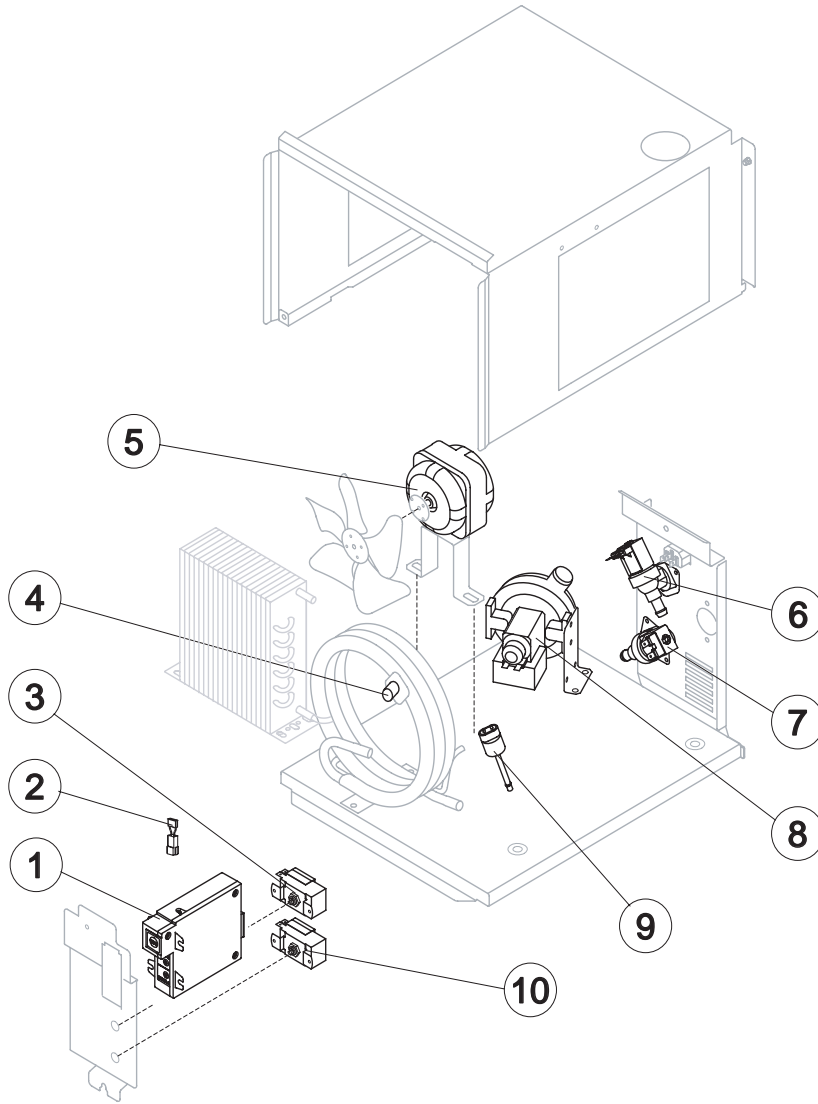
Ref.	Spare Description	Code
2	Sprayer	D20002
3*	Sprayers Bar Assembly	See Table
4*	Overflow Cap	10305
5*	Overflow Pipe	10133
6*	OR Gasket for Overflow Pipe	20233
7	Gasket for Pump Suction/Delivery Pipes	13220
8	Insulated Pump Suction/Delivery Fitting	C10653
9	Insulated Pump Suction Pipe	C13172
10	Insulated Pump Delivery Pipe	C13175295
11*	Water Supply Pipe to the Evaporator	C13224
12*	Overflow Pipe	13107
13	Water Outlet Nipple	10472
14	Silicone Gasket	13219
15	Drain Pump Pressure Switch	C231230
16	Drain Pump	C231225
17	Bin Discharge-Drain Pump Connection	C13175100
18	Bin Discharge Nut	10096
19	Semirigid Polyethylene Gasket	13007
20	Bulbe-holder Pipe	20522
21	Complete Basin Assembly	C11257
22*	Ice Cubes Slide	See Table
23*	Pump Suction Filter	20005
24	Rod with Flags	10534
25	Flags ABS Support	10526
26	Inner Basin	10916
27	Slide Keep Plate	10009
28	Sprayers Feeding Pipe	13005
29	Fittings Locking Ringa	10654

### Ref. 3\* - Sprayers Bar Assembly

Kind of Cube	Code
17 g. (Standard)	C201070
14 g.	C201072

### Ref. 20\* - Ice Cubes Slide

Kind of Cube	Code
17 g. (Standard)	D12008
14 g.	D12038



### Common Parts

Ref.	Spare Description	Code
1*	Electronic Timer / On-Off (AWS)	R231154
3*	Bin Thermostat	23005
5*	Fan Motor	231041
7*	1 Way- Water Inlet Valve	23115
8*	Pump Assembly	C231397
10*	Evaporator Thermostat	23591

### Parts for Water-Cooled Version Only

Ref.	Spare Description	Code
2	Anti Radio Interference Filter	Only 220V 50 Hz C23457
4*	Safety Thermostat	C23114
6*	1 Way- Water Inlet Valve	23115
9*	Condenser Pressure Switch	231352