

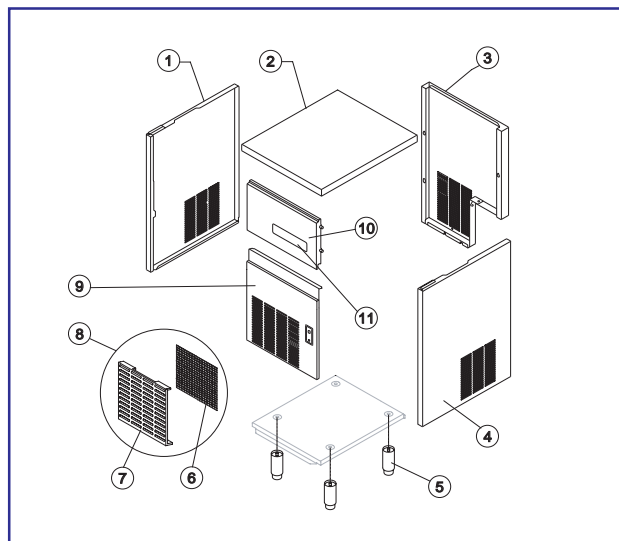
# SL 110 R290 R

# LIST OF THE EXPLODED VIEWS

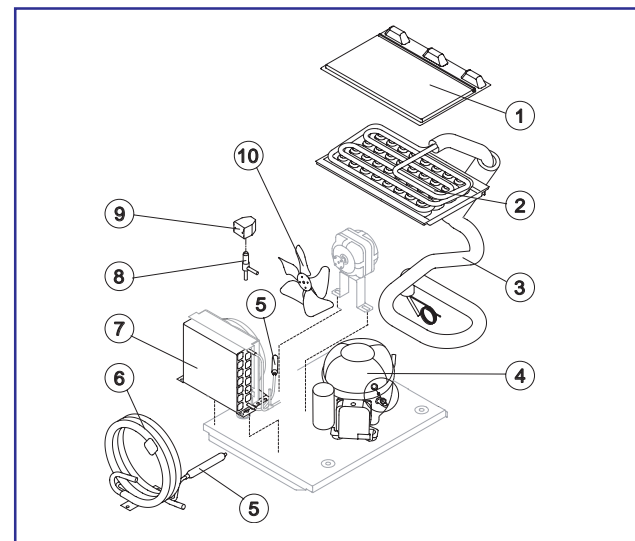
Rev. 01 - 11/01/2021



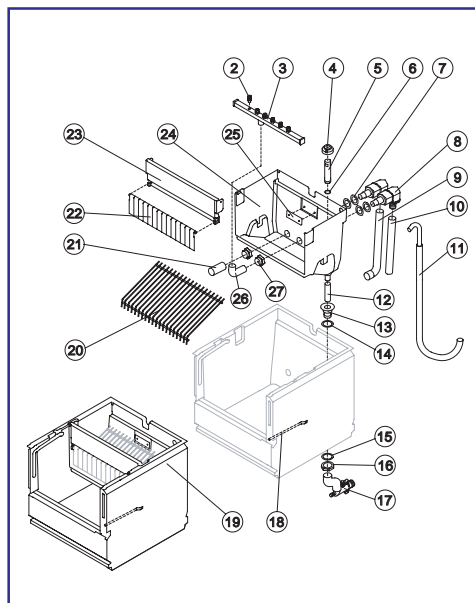
### SHELL ASSY



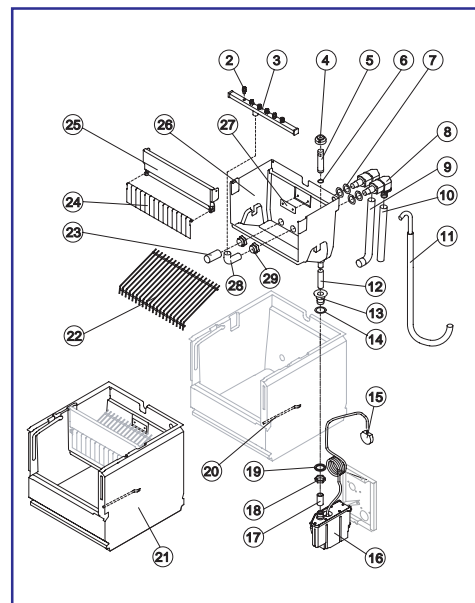
### COOLING SYSTEM



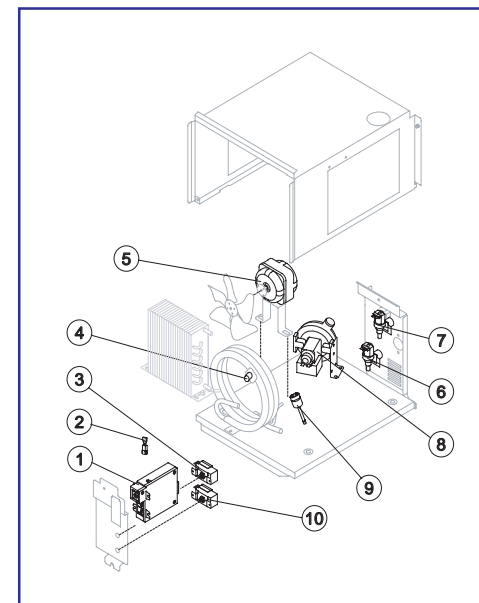
### HYDRAULIC CIRCUIT SL110A/W

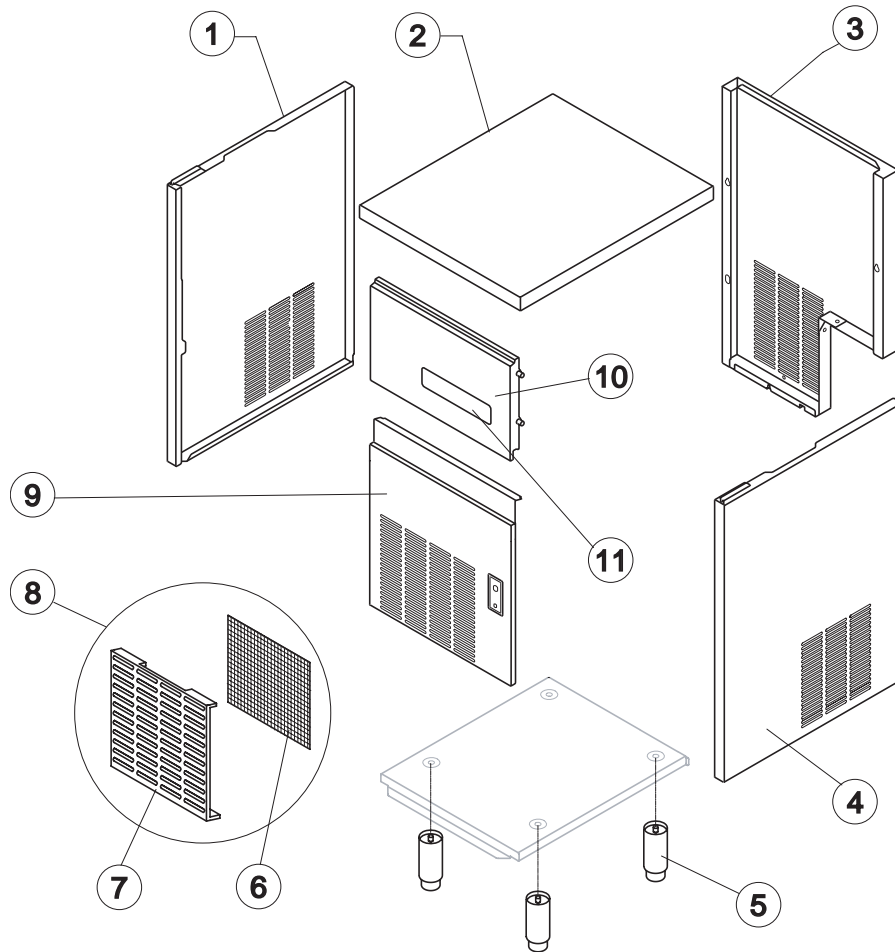


### HYDRAULIC CIRCUIT SL110A DP



### ELECTRIC PARTS





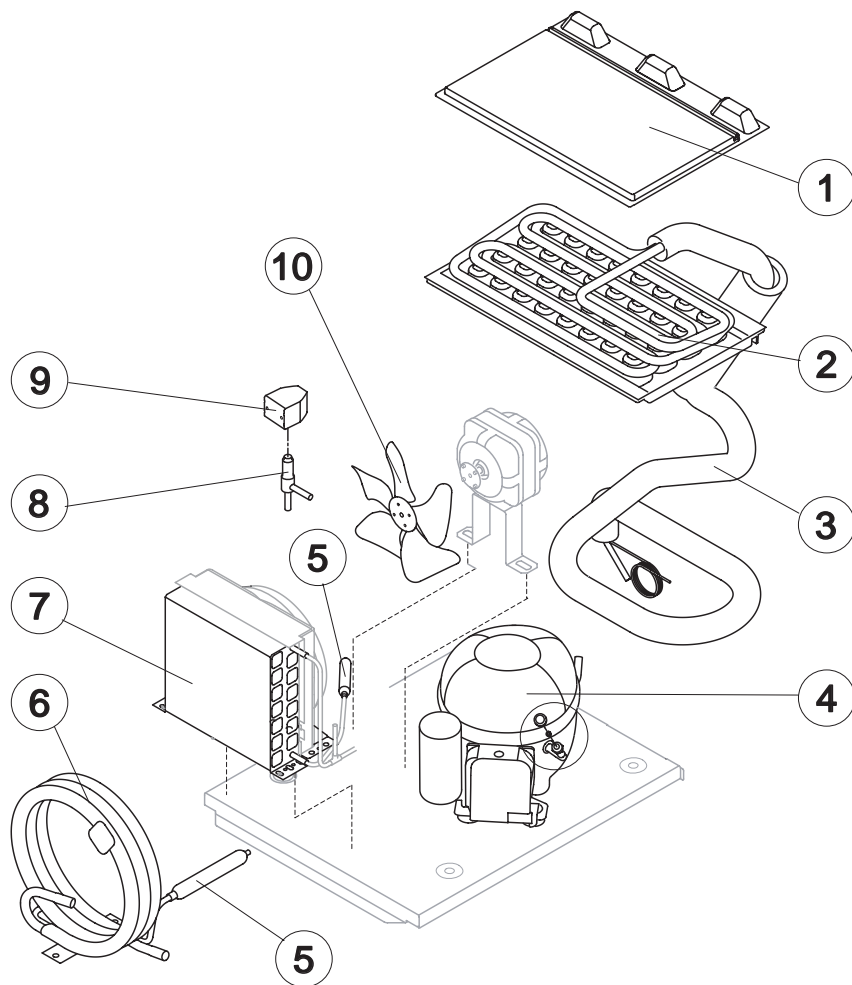
Ref.	Spare Description	Code
1	Left Side Panel Assembly	C222055
2	Top	221966
3	Rear Side Panel	21593
4	Right Side Panel Assembly	C222056
5	Foot	20613
6	Filter	18243
7	Grid	10697
8	Grid Assembly	C10697
9	Front Panel	C222058
10	Door Assembly	C10360
11	Resinated Logo	241330

# SL 110 R290 R

# COOLING SYSTEM

## SL 110A R290/ SL 110W R290/ SL 110A R290DP

Rev. 01 - 11/01/2021



### Common Parts

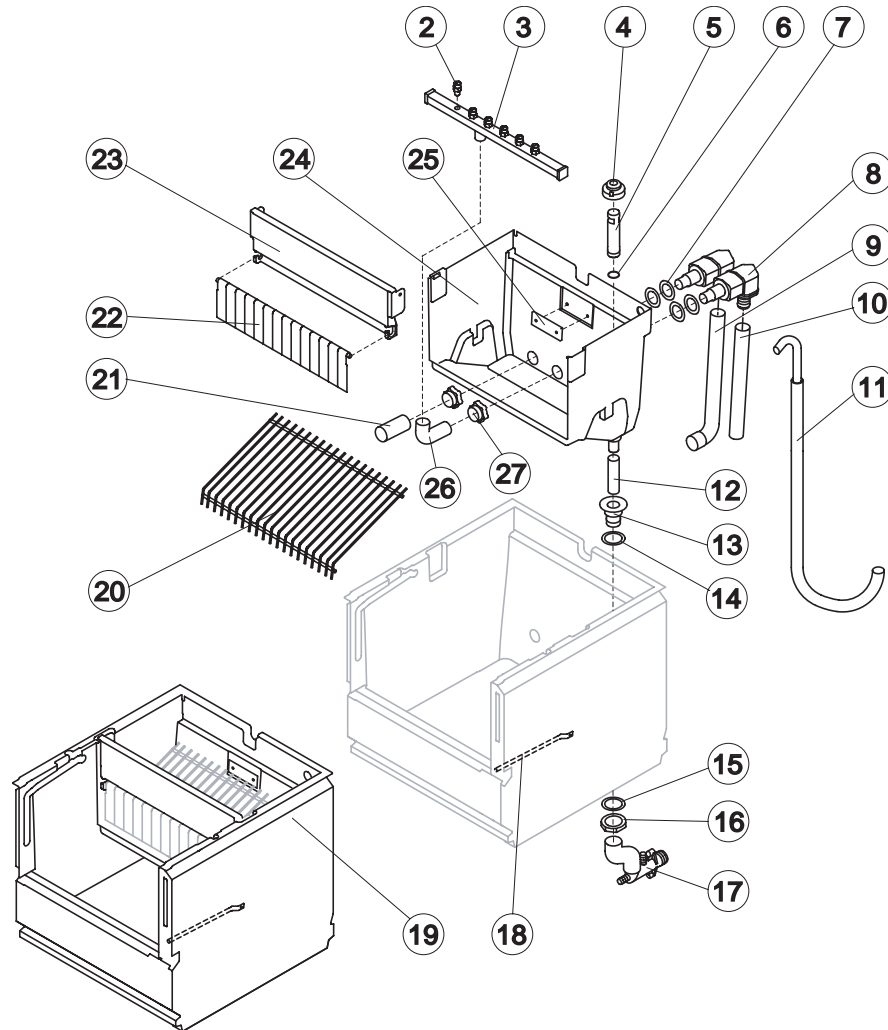
Ref.	Spare Description	Code
1	Evaporator Cover Panel	10513
2	Evaporator Assy	D10046
3	Suction Line	for the spare parts code give us the s/n.
4	Compressore	231427
5*	Molecular Drier	14009
8*	Hot Gas Valve Body	201129
9*	Hot Gas Valve Coil	231294

### Parts for Air-Cooled Version Only

Ref.	Spare Description	Code
7	Air Condenser	201238

### Parts for Water-Cooled Version Only

Ref.	Spare Description	Code
6	Water Condenser	14374
10	Suction Fan	10213



### Common Parts

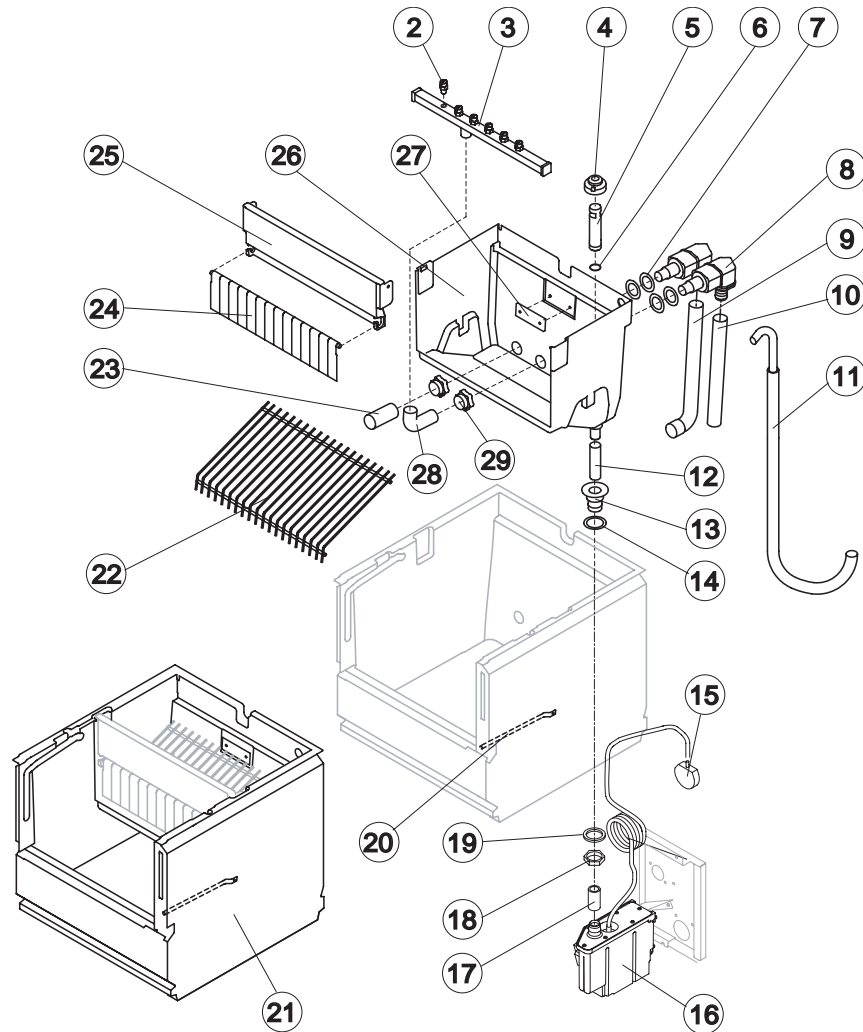
Ref.	Spare Description	Code
2	Sprayer	D20002
3*	Sprayers Bar Assembly	C201070
4*	Overflow Cap	10305
5*	Overflow Pipe	10133
6*	OR Gasket for Overflow Pipe	20233
7	Gasket for Pump Suction/Delivery Pipes	13220
8	Insulated Pump Suction/Delivery Fitting	C10653
9	Insulated Pump Suction Pipe	C13174
10	Insulated Pump Delivery Pipe	C13175520
11*	Water Supply Pipe to the Evaporator	C13227
12*	Overflow Pipe	13108
13	Water Outlet Nipple	10472
14	Silicone Gasket	13219
15	Semirigid Polyethylene Gasket	13007
16	Bin Discharge Nut	10096
18	Bulbe-holder Pipe	20522
19	Complete Basin Assembly	C11258
20*	Ice Cubes Slide	D12008
21*	Pump Suction Filter	20005
22	Rod with Flags	10534
23	Flags ABS Support	10526
24	Inner Basin	10916
25	Slide Keep Plate	10009
26	Sprayers Feeding Pipe	13005
27	Fittings Locking Ring	10654

### Parts for Air-Cooled Version Only

Ref.	Spare Description	Code
17	Discharges Manifold	C10006

### Parts for Water-Cooled Version Only

Ref.	Spare Description	Code
17	Discharges Manifold	C26452



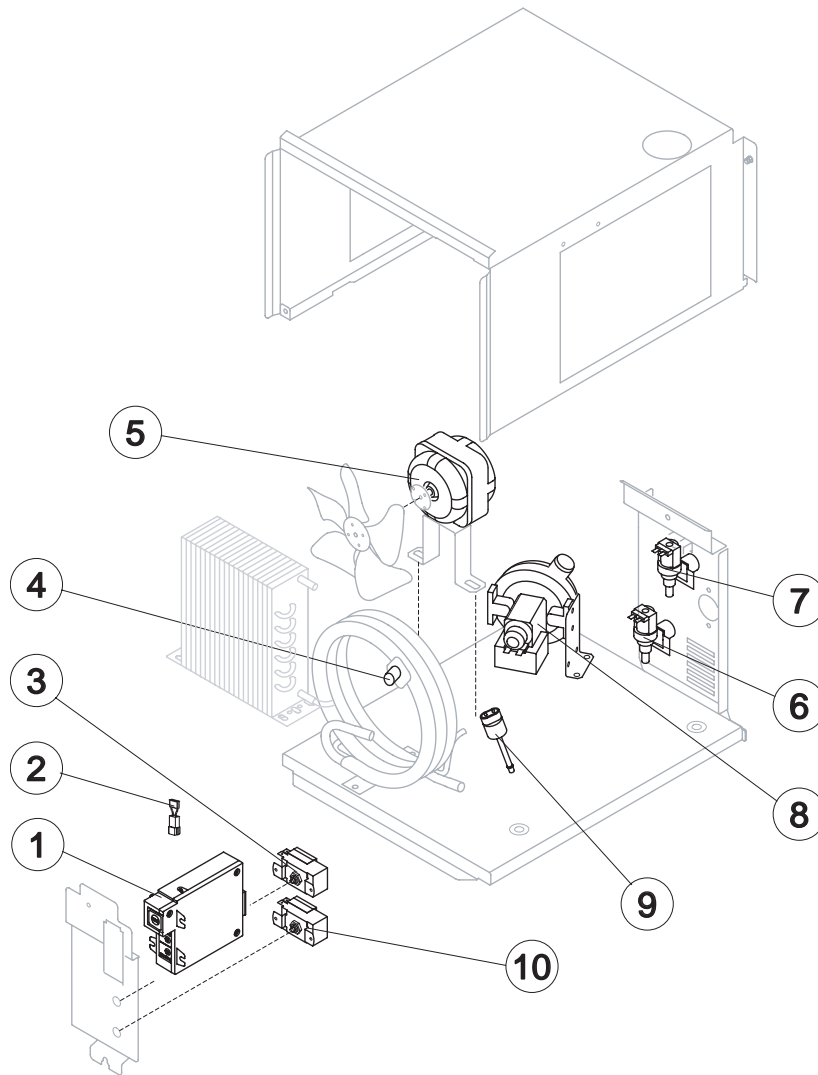
Ref.	Spare Description	Code
2	Sprayer	D20002
3*	Sprayers Bar Assembly	C201070
4*	Overflow Cap	10305
5*	Overflow Pipe	10133
6*	OR Gasket for Overflow Pipe	20233
7	Gasket for Pump Suction/Delivery Pipes	13220
8	Insulated Pump Suction/Delivery Fitting	C10653
9	Insulated Pump Suction Pipe	C13174
10	Insulated Pump Delivery Pipe	C13175520
11*	Water Supply Pipe to the Evaporator	C13227
12*	Overflow Pipe	13108
13	Water Outlet Nipple	10472
14	Silicone Gasket	13219
15	Drain Pump Pressure Switch	C231230
16	Drain Pump	RC231225
17	Bin Discharge-Drain Pump Connection	C13175100
18	Bin Discharge Nut	10096
19	Semirigid Polyethylene Gasket	13007
20	Bulbe-holder Pipe	20522
21	Complete Basin Assembly	C11258
22*	Ice Cubes Slide	D12008
23*	Pump Suction Filter	20005
24	Rod with Flags	10534
25	Flags ABS Support	10526
26	Inner Basin	10916
27	Slide Keep Plate	10009
28	Sprayers Feeding Pipe	13005
29	Fittings Locking Ringa	10654

# SL 110 R290 R

# ELECTRIC PARTS

## SL 110A R290/ SL 110W R290/ SL 110A R290DP

Rev. 01 - 11/01/2021



### Common Parts

Ref.	Spare Description	Code
1*	Electronic Timer / On-Off (AWS)	R231154
3*	Bin Thermostat	23005
5*	Fan Motor	231041
7*	1 Way- Water Inlet Valve (evaporator inlet)	23115
8*	Pump Assembly	C231397
10*	Evaporator Thermostat	23591

### Parts for Air-Cooled Version Only

Ref.	Spare Description	Code
2	Anti Radio Interference Filter	C23459
9*	Condenser Pressure Switch	231352

### Parts for Water-Cooled Version Only

Ref.	Spare Description	Code
2	Anti Radio Interference Filter	C23457
4*	Safety Thermostat	C23114
6*	1 Way- Water Inlet Valve (condenser water inlet)	23001
9*	Condenser Pressure Switch	231351