



**Ice Flake Machine  
7453 Series**

User Manual  
Gebruikershandleiding  
Gebrauchsanweisung  
Le mode d'emploi



# CONTENT

## ENGLISH

1 IMPORTANT ADVICE AND RECOMMENDATIONS .....	7
2 TECHNICAL DATA (Fig. 1) .....	8
3 ADVICE ABOUT TRANSPORTATION .....	8
4 UNPACKING .....	8
5 INSTALLATION .....	9
5.1 CONNECTION DIAGRAM (Fig. 4) .....	9
5.2 POSITIONING .....	9
5.3 CONNECTION TO THE WATER MAINS .....	9
5.4 CONNECTION TO THE ELECTRICITY MAINS .....	10
6 START-UP .....	10
6.1 CLEANING INTERNAL PARTS .....	10
6.2 START-UP .....	10
7 MAIN CAUSES OF OPERATING FAILURE .....	11
8 OPERATION .....	11
9 MAINTENANCE .....	11
9.1 CLEANING THE FILTER OF WATER SUPPLY SOLENOID VALVE (Fig. 6) .....	11
9.2 AIR-COOLED MODELS (Fig. 7) .....	12
9.3 CLEANING AND SANITIZING OPERATIONS .....	12
10 PERIODS AT A STANDSTILL .....	12

## NEDERLANDS

1 BELANGRIJKE WAARSCHUWINGEN EN RAADGEVINGEN .....	13
2 TECHNISCHE GEGEVENS (Fig. 1) .....	14
3 NUTTIGE AANWIJZINGEN VOOR HET VERVOER .....	14
4 UITPAKKEN .....	14
5 INSTALLATIE .....	15
5.1 VERBINDINGSSHEMA (Fig. 4) .....	15
5.2 PLAATSING .....	15
5.3 AANSLUITING OP DE WATERLEIDING .....	15
5.4 AANSLUITING OP HET ELEKTRICITEITSNET .....	16
6 START .....	17
6.1 REINIGING VAN DE INTERNE DELEN .....	17
6.2 START .....	17
7 VOORNAAMSTE STORINGSOORZAKEN .....	17
8 WERKING .....	18
9 ONDERHOUD .....	18
9.1 REINIGING FILTER ELEKTROMAGNEETKLEP VOOR WATERTOEVER (Fig. 6) .....	18
9.2 MODELLEN MET LUCHTVERDICHTING (Fig. 147) .....	18
9.3 REINIGING EN ONTSMETTING .....	18
10 BUITENWERKINGSTIJDEN .....	19

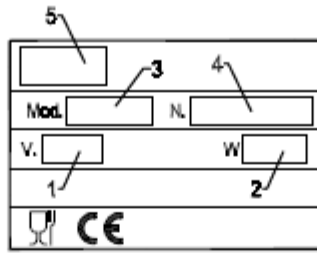
## DEUTSCH

1 WICHTIGE ALLGEMEINE HINWEISE UND RATSCHLÄGE .....	20
2 TECHNISCHE DATEN (Fig. 1) .....	21
3 WICHTIGE HINWEISE ZUM TRANSPORT .....	21
4 AUSPACKEN .....	21
5 INSTALLATION .....	22
5.1 ANSCHLUSSPLAN (Fig. 4).....	22
5.2 AUFSTELLUNG .....	22
5.3 ANSCHLUSS AN DAS WASSERNETZ .....	23
5.4 ANSCHLUSS AN DAS STROMNETZ .....	23
6 INBETRIEBNAHME.....	24
6.1 REINIGEN DER INNENTEILE .....	24
6.2 EINSCHALTEN .....	24
7 HAUPTSÄCHLICHE STÖRUNGSURSACHEN .....	24
8 FUNKTIONSWEISE .....	25
9 WARTUNG.....	25
9.1 REINIGEN DES FILTERS DES MAGNETVENTILS DER WASSERZUFUHR (Fig. 6).....	25
9.2 AUSFÜHRUNGEN MIT LUFTKONDENSATION (Fig. 7).....	25
9.3 REINIGUNG UND DESINFEKTION .....	26
10 LÄNGERER STILLSTAND DES GERÄTES .....	26

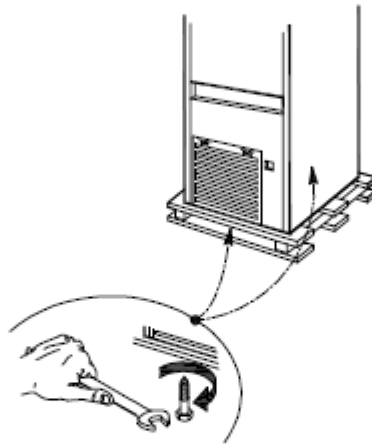
## FRANÇAIS

1 AVERTISSEMENTS ET CONSEILS IMPORTANTS .....	27
2 DONNEES TECHNIQUES (Fig. 1).....	28
3 INDICATIONS UTILES POUR LE TRANSPORT .....	28
4 DEBALLAGE .....	28
5 INSTALLATION .....	29
5.1 SCHEMA DES CONNEXIONS (Fig. 4) .....	29
5.2 MISE EN PLACE.....	29
5.3 RACCORDEMENT AU RESEAU HYDRIQUE .....	29
5.4 RACCORDEMENT AU SECTEUR ELECTRIQUE.....	30
6 MISE EN SERVICE .....	30
6.1 NETTOYAGE DES PARTIES INTERNES .....	30
6.2 MISE EN MARCHE .....	31
7 PRINCIPALES CAUSES DE MAUVAIS FONCTIONNEMENT .....	31
8 FONCTIONNEMENT .....	31
9 ENTRETIEN .....	32
9.1 NETTOYAGE FILTRE ELECTROVANNE D'ARRIVEE D'EAU (Fig. 6).....	32
9.2 MODELES A CONDENSATION A AIR (Fig. 7).....	32
9.3 OPERATIONS DE NETTOYAGE ET DESINFEKTION.....	32
10 PERIODES D'INACTIVITE .....	33

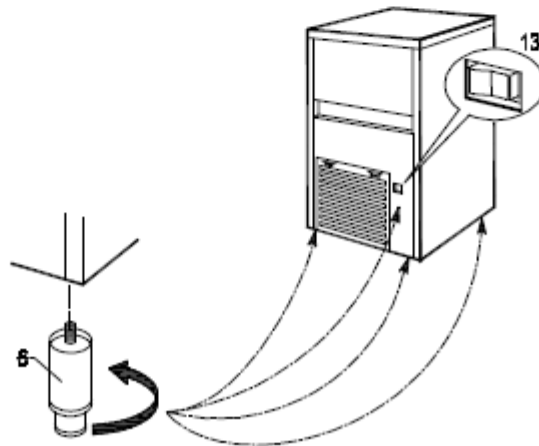
1



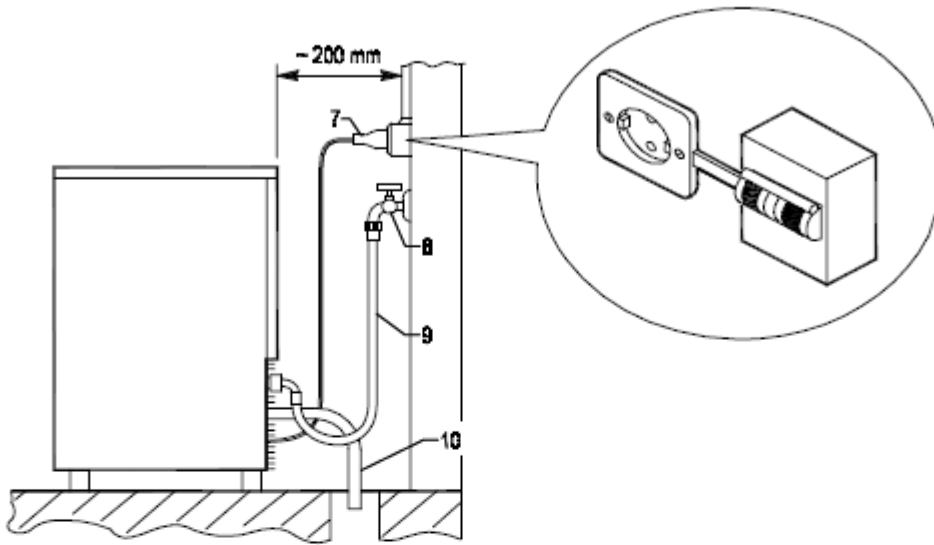
2



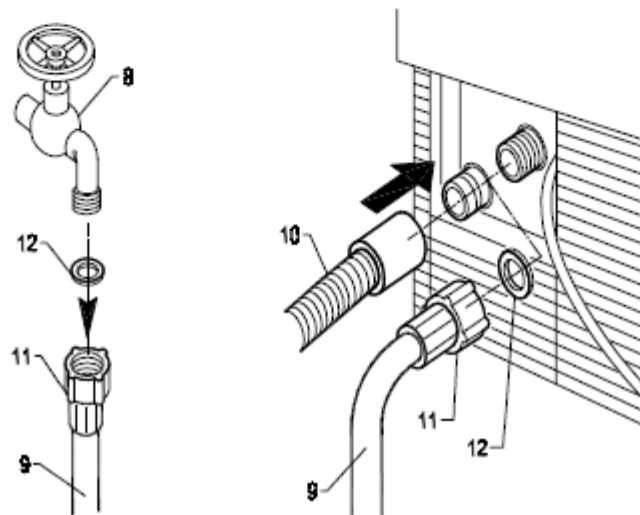
3



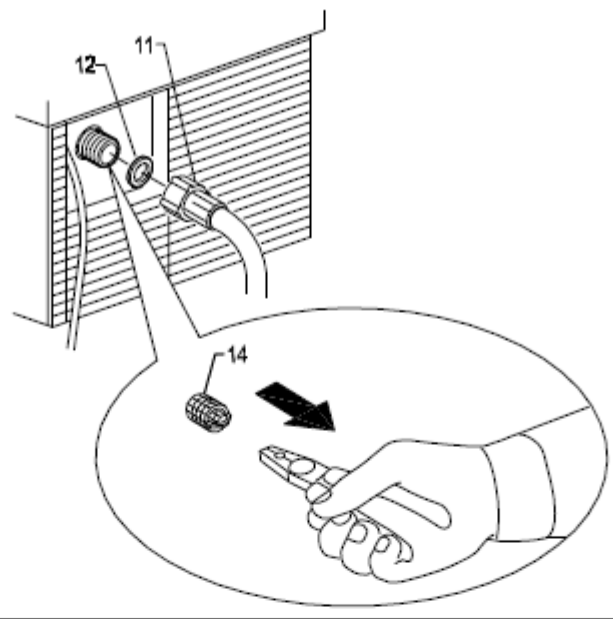
4



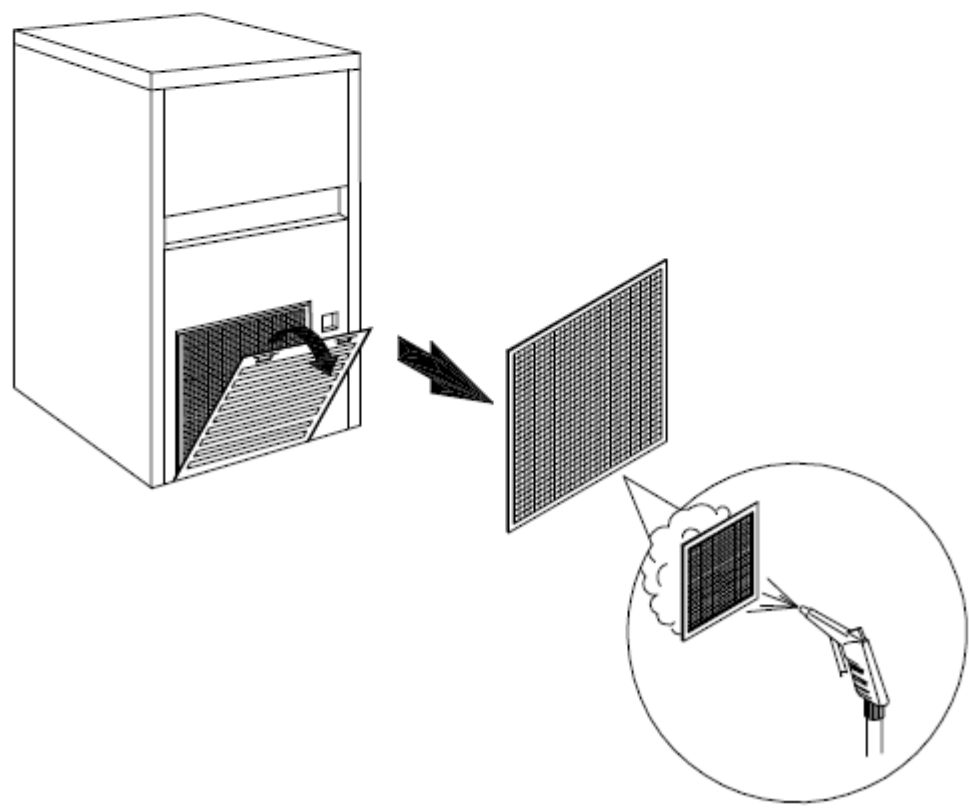
5



6



7



Dear Customer, Congratulations on having chosen a quality product which will certainly fully meet your expectations. Thank you for having purchased one of our products. **Please read this instruction manual carefully before using your new automatic ice flaker.**

## **1 IMPORTANT ADVICE AND RECOMMENDATIONS**

This instruction manual forms an integral part of the automatic ice flaker (also more simply called “appliance” in the text) and must be kept for possible future consultation. In the event of the appliance being sold or transferred to another person, this manual must be handed over to the new user, in order to enable him to become familiar with the operation of the equipment and the corresponding advice and recommendations.

**!! Before installing and using the appliance, read the advice and recommendations contained in this instruction manual very carefully. They are given in order to ensure safe installation, use and maintenance of the appliance.**

- Always remove the plug from the power socket before proceeding with any cleaning or maintenance operations.
- To ensure the appliance operates efficiently and correctly, it is essential to comply with the manufacturer’s instructions and to make sure that maintenance is performed by specially qualified personnel.
- Do not remove any of the panels or grilles.
- Do not rest objects on the appliance or in front of the ventilation grilles.
- Always lift the appliance to move it, even slightly. Do not push or pull it.
- Any use of the appliance other than for the production of ice using cold drinking water is to be considered as improper use.
- Do not obstruct the ventilation and heat-dissipation grilles, since poor aeration - in addition to reducing efficiency and causing poor operation - may also cause serious damage to the appliance.
- If the appliance breaks down and/or operates in a faulty way, switch it off by means of the main switch fitted during the installation phase, remove the plug from the socket (if any), and turn off the water tap. Do not make any attempt to repair the appliance yourself. Contact only professionally qualified and authorized personnel
- In addition to rendering any form of warranty null and void, modifying (or attempting to modify) this appliance is extremely dangerous..
- Open and close the door carefully without slamming it
- Do not use the ice container to cool or preserve food or drinks, as these operations could cause the drain system to become clogged, thus leading to the container filling up and water leaking out.
- In the event of a failure, contact the dealer who sold you the appliance; he will be able to give you the address of your nearest authorized technical service centre. Always insist on having original spare parts mounted..
- Any specific information or diagrams regarding particular models will be attached to this manual.

**!! Use of this electrical appliance requires compliance with certain fundamental rules; in particular:**

- Do not touch the appliance with wet or damp hands or feet.
- Do not use the appliance when you are barefoot.
- Do not use extensions in premises such as bathrooms or shower rooms.
- Do not tug on the power supply cable to disconnect it from the mains.
- This appliance can be used by children aged from 8 years and above and persons with reduced physical, sensory or mental capabilities or lack of experience and knowledge, if they have been given supervision or instruction concerning use of the appliance in a safe way and understand the hazards involved. Children shall not play with the appliance. Cleaning and user maintenance shall not be made by children without supervision.
- Supervise children to ensure that they do not play with the appliance.

Should you decide to scrap appliance, first disconnect the power cable from the mains, and then cut the cable off.

In addition, proceed as follows:

- Break off and remove the door in order to prevent the possible danger of a child getting trapped inside.
- Do not allow the coolant gas and oil in the compressor to disperse into the environment.
- Dispose of or recover the various materials according to the provisions established by the current laws in force in your country.



This symbol means that this product should not be treated as a household waste. To prevent potential negative consequences for the environment and health, be sure this product is correctly disposed of and recycled. For information on the disposal and recycling of this product, contact your Distributor or the Waste Treatment Service.

**This appliance does not contain coolant that damages the ozone layer. This appliance contains fluorinated greenhouse gases covered by the Kyoto Protocol. This product is hermetically sealed.**

**!! The Manufacturer shall not be liable for any damage to the environment, animals, persons or objects caused by incorrect installation.**

## 2 TECHNICAL DATA (Fig. 1)

The voltage and frequency are given on the data plate on the appliance. Refer to this data plate to check compliance.

Voltage (1), power (2), model (3), serial No. (4), Manufacturer (5).

The weighted equivalent continuous sound level A of this appliance is less than 70 dB(A). The measurements were taken 1 metre from the surface of the appliance and 1.60 metres above ground, during ice production.

The wiring diagram is stuck on the front counterpanel or inside front panel of the appliance.

In order to gain access thereto, unplug the appliance from the power source, loosen screws holding the front panel, and slide it away after first opening the door.

## 3 ADVICE ABOUT TRANSPORTATION

The net weight and the weight including packaging of the appliance are given on the cover of this manual. Please refer to the instructions on the packaging in order to correctly transport and lift the appliance.

To prevent the oil in the compressor from flowing back into the coolant circuit, always make sure that the appliance is kept upright during transport, storage, and handling. Follow the instructions given on the packaging.

## 4 UNPACKING

**The appliance must be installed by authorized personnel, in compliance with the current laws in force and the Manufacturer's instructions.**

Once you have removed the packaging according to the instructions on the box, MAKE SURE THAT THE APPLIANCE IS IN A PERFECTLY GOOD CONDITION. IF IN DOUBT, DO NOT USE IT AND IMMEDIATELY CONTACT THE DEALER who sold it to you.

**All the packaging items (plastic bags, cardboard, polystyrene foam, nails, etc.) must be removed and put out of the reach of children, as they are potential sources of danger.**

Rest the wooden pallet on the floor and, using a hex socket wrench, loosen and remove the bolts (if any) that fix the appliance to the pallet (Fig. 2).



Lift the appliance using equipment fit to bear its weight. Separate the appliance from the wooden pallet and fit the supplied legs into the housings on the base plate provided for the purpose (6 in Fig. 3). Use a spirit level to ensure that the appliance is standing perfectly level. If necessary, adjust the legs.

## 5 INSTALLATION

### 5.1 CONNECTION DIAGRAM (Fig. 4)

7. electrical connection controlled by omnipolar circuit-breaker with residual current device
8. water tap
9. water supply pipe
10. water drainage pipe

### 5.2 POSITIONING

**!! The appliance must be installed in a hygienically clean location; it is advisable to avoid rooms like cellars and store-rooms, because failure to meet hygiene requirements is likely to lead to the formation and proliferation of bacteria in the appliance.**

The appliance can operate at an ambient temperature of between 10°C and 43°C.

The best performance will be obtained by installing the appliance in a place with an ambient temperature of between 10°C and 35°C and a water temperature of between 3°C and 25°C.

Avoid direct exposure to sunlight and do not install near heat sources.

!! This appliance:

- **must be installed in a place where it can be supervised by skilled personnel.**
- must not be used outdoors.
- must not be installed in damp places or where it is liable to be sprayed with water.
- must not be cleaned with jets of water.
- must be allowed a clearance of least 5 cm all around

### 5.3 CONNECTION TO THE WATER MAINS

**!! IMPORTANT:**

- The appliance must be connected to the water mains by professionally qualified personnel in accordance with the Manufacturer's instructions.
- This appliance must be only be supplied with cold water for human consumption (drinking water).
- The operating pressure must be between 0.1 and 0.6 mpa.
- A tap must be installed between the water mains and the feed pipe of the appliance, so that the water supply may be shut off if necessary.
- Where the feed water is particularly hard, you are advised to install a polyvalent cartridge filter. Any solid particles (e.g. Sand) may be eliminated by installing a mechanical filter, which must be periodically inspected and cleaned. These devices must comply with the standards in force in the Country of use.
- Never turn the water supply tap off when the appliance is working.
- Only new hose-sets supplied with the appliance are to be used to connect the appliance to water mains, old hose-sets should not be reused.

#### 5.3.a FILLING WITH WATER (Fig. 5)

Insert the special seals provided (12) in the two threaded ring nuts (11) of the water supply pipe (9) supplied with the appliance.

Without exerting excessive force (otherwise the unions could crack), firmly tighten one of the threaded ring nuts on the outlet of the solenoid valve located in the rear of the appliance. The other threaded ring nut must be screwed to the water tap (8); this too must be provided with a thread.

### 5.3.b DRAIN (Fig. 5)

Fix the water drain pipe (10) in the housing provided on the rear of the appliance. Make sure that:

- the pipe is a hose
- the internal diameter is 22 mm, as required
- the water drain hose is not throttled at any point throughout its length
- the drain hose slopes downwards by at least 15%

It is advisable to drain the water straight into an open drain trap.

## 5.4 CONNECTION TO THE ELECTRICITY MAINS

### !! IMPORTANT:

- The appliance must be connected to the electricity mains by professionally qualified personnel in accordance with the Manufacturer's instructions.
- Before connecting the appliance to the electricity mains, make sure that the mains voltage rating corresponds to the value indicated on the rating plate.
- Make sure that the appliance is connected to an efficient earthing system.
- Make sure that the capacity of the power supply system suits the maximum power value indicated on the rating plate of the appliance.
- If the appliance comes supplied with a plug, prepare a socket controlled by an omnipolar circuit-breaker (7 in Fig. 4), with a contact-opening gap of not less than 3 mm, that provides full disconnection under overvoltage category III conditions, in accordance with national safety standards currently in force. This switch must be equipped with fuses, with the associated residual current device positioned in such a way as to be readily accessible. Insert the plug into the socket controlled by the switch (7 in Fig. 4).
- The plug must only be replaced by professionally qualified and authorized personnel, and the new plug must comply with current national safety standards.
- If the appliance comes supplied without a plug and you wish to connect it permanently to the power supply, prepare an omnipolar circuit-breaker (7 in Fig. 4), with a contact-opening gap of not less than 3 mm, that provides full disconnection under overvoltage category III conditions, in accordance with national safety standards currently in force. This switch must be equipped with fuses, with the associated residual current device positioned in such a way as to be readily accessible. This operation must be carried out by a specialized technician.
- Make sure that you fully uncoil the power supply cable and check that it is not crushed in any way.
- Should the supply cable be damaged, it must be replaced by a specialized technician using a special cable available from the Manufacturer or from the Technical Service Centres.

## 6 START-UP

### 6.1 CLEANING INTERNAL PARTS

The appliance will have already been cleaned in the factory. However, you are advised to wash the internal parts again before using the appliance. Make sure that the power supply cable is unplugged before carrying out the above cleaning operation.

#### **See cleaning and sanitizing manual for information regarding cleaning operations.**

Use ordinary washing-up liquid or a water and vinegar solution for cleaning operations; after cleaning, rinse thoroughly with cold water and discard the ice produced during the first 30 minutes after cleaning, together with any ice present in the bin. It is advisable to avoid using abrasive detergents or powders, since these might damage the finish.

### 6.2 START-UP

Once the appliance has been correctly connected to the electricity mains, water mains and water drain system, it can be started up as follows:

- a) turn on the water supply tap (8 in Fig. 4)
- b) insert the plug (if any) in the socket and switch on the power supply by means of the relative switch fitted during the installation phase (7 in Fig. 4)

Switch on appliance by pressing the luminous switch (13 in Fig. 3). For appliances that are connected permanently to the electricity mains, turn on by means of the switch on the outside of the appliance, fitted during the installation phase.

## 7 MAIN CAUSES OF OPERATING FAILURE

Should the appliance fail to produce ice, before calling on the Authorized Technical Service Centre, first check carefully that:

- The water supply tap (8 in Fig. 4), fitted during the installation phase, has been turned on.
- Electric power is reaching the appliance; the plug (if any) is properly inserted in the socket, the switch (7 in Fig. 4) is in the "ON" position, and the push button (13 in Fig. 3) is lighted up.

Furthermore:

- If there is excessive noise, make sure that the appliance is not touching furniture or sheet metal which can give rise to noise or vibrations.
- Should any trace of water appear, check the drain hole of the container to ensure that it is not clogged, that the water fill and drain pipes are correctly connected and are not throttled or damaged.
- Make sure that the temperature of the air or water does not exceed the installation limit values (see paragraph 5.2).
- Make sure that the water inlet filter is not clogged (see paragraph 9.1).

If the fault still persists after the above inspections have been made, turn off the electric power source by means of the switch fitted during the installation phase, pull out the plug from its socket, turn off the tap connecting the appliance to the water mains, and contact the nearest Authorized Technical Service Centre.

To obtain a faster and more efficient reply when you call the Centre, state the model of the appliance precisely, together with its serial number or manufacturing number. This information is given on the serial N° plate (Fig. 1) affixed to the rear of the appliance and on the cover of this manual.

## 8 OPERATION

The appliance has a thermostat probe in the ice bin, which stops ice production when the ice accumulated in the bin reaches the probe connected to the thermostat. When ice is taken from the bin, the thermostat will automatically reactivate ice production, thus creating a new supply of ice.

## 9 MAINTENANCE

### 9.1 CLEANING THE FILTER OF WATER SUPPLY SOLENOID VALVE (Fig. 6)

**⚠ All the operations described in this paragraph must be carried out only after the electric power and water supplies have been disconnected, as described previously, by professionally qualified and authorized personnel.**

!! At least every two months, clean the filter (14) located on the water inlet solenoid valve, proceeding as follows:

- **Switch off the electric power supply** by means of the switch (7 in Fig. 4), fitted during installation, and disconnect the plug of the appliance from its socket (if any).
- **Shut off the water supply** by turning the tap (8 in Fig. 4) fitted during installation.
- Unscrew the threaded ring nut (11) of the water feed hose, located at the outlet of the solenoid valve at the rear of the appliance.
- Using a pair of pliers, remove the filter (14) from its seat without damaging the water feed pipe connector.
- Place the filter under a strong jet of water to remove residue, but replace the filter if it is excessively dirty.

After having carried out the cleaning operations, refit the filter and hose pipe taking the necessary precautions described earlier in the manual.

**When the operations have terminated, turn on both the electricity supply and water supply.**

## 9.2 AIR-COOLED MODELS (Fig. 7)

For air-cooled models, it is very important to keep the finned condenser and its external filter (if any) clean. Have the finned condenser cleaned at least once every two months by an Authorized Technical Service Centre, which can include this operation in the scheduled maintenance program.

The external filter (if any) must be cleaned at least once a month, as follows:

- Switch off appliance and **cut off power supply** with the switch (7 in Fig. 4) fitted at the installation stage.
- Open plastic grille.
- Remove filter and keep it at a distance from the appliance.
- Remove dust from filter by blowing with compressed air.
- Replace filter in its seat and close plastic grille.

## 9.3 CLEANING AND SANITIZING OPERATIONS

A cleaning and sanitizing kit specifically designed for this appliance is available from your dealer.

**!! Do not use corrosive substances to remove limescale from the appliance, because this will invalidate the warranty, and may cause serious damage to the materials and components of the appliance.**

**Do not use jets of water to clean the appliance.**

**!! All cleaning operations must be carried out only after the electric power and water supplies have been disconnected, as described previously, by professionally qualified and authorized personnel.**

**Follow the instructions given in the cleaning and sanitizing manual supplied with the appliance.**

**!! IMPORTANT:**

**All the ice produced during the first 30 minutes after cleaning and sanitising operations, together with any ice present in the bin, must be discarded.**

Complete sanitizing can only be carried out only by the Authorized Technical Service Centres, and must be done regularly depending on the conditions of use of the appliance, the chemical and physical features of the water, and after every period in which the appliance has remained at a standstill for any length of time.

You are advised to ask your dealer to draw up a scheduled maintenance contract that will cover the following:

- Cleaning the condenser
- Cleaning the filter located on the water supply solenoid valve
- Cleaning the ice container
- Checking the charge of coolant gas
- Checking the operating cycle
- Sanitizing the appliance

## 10 PERIODS AT A STANDSTILL

If you do not intend to use the appliance for a certain period of time, proceed as follows:

- Switch off the electric power source by means of the switch (7 in Fig. 4), and remove the plug of the appliance from its socket (if any)
- Shut off the water supply by turning off the water supply tap (8 in Fig. 4)
- Carry out all the operations envisaged for scheduled maintenance of the appliance (see chapter 9)
- Clean filter of water supply solenoid valve as described in chapter 9.1
- Clean filter of air condenser (if any) as described in chapter 9.2

Beste Klant: wij feliciteren u met de keuze van een kwaliteitsproduct, dat zeker aan uw verwachtingen zal beantwoorden. Wij danken u voor de ons verleende voorkeur en nodigen u vriendelijk uit, dit handboek aandachtig door te lezen, alvorens u uw nieuwe automatische ijsblokjesmaker in gebruik neemt.

## 1 BELANGRIJKE WAARSCHUWINGEN EN RAADGEVINGEN

Deze handleiding maakt deel uit van de automatische ijsblokjesmaker (in deze handleiding ook wel eenvoudigweg apparaat genoemd) en moet bewaard worden voor iedere mogelijke raadpleging in de toekomst. Als het apparaat verkocht wordt of hoe dan ook afgestaan wordt aan een andere persoon, dan moet deze handleiding aan de nieuwe gebruiker afgeleverd worden opdat deze op de hoogte gesteld kan worden van de werking en bijbehorende waarschuwingen.

**!! Alvorens het apparaat te installeren en te gebruiken, aandachtig de waarschuwingen in deze handleiding doorlezen. Deze waarschuwingen zijn geschreven voor de veiligheid bij de installatie, het gebruik en het onderhoud.**

- koppel het apparaat steeds los van het elektriciteitsnet alvorens enige reinigings- of onderhoudswerkzaamheden uit te voeren
- om de efficiënte werking van het apparaat en zijn correcte werking te kunnen garanderen moeten de aanwijzingen van de Fabrikant opgevolgd worden en moet het onderhoud door professioneel gekwalificeerd personeel worden uitgevoerd
- verwijder geen panelen of roosters
- zet geen voorwerpen op het apparaat of voor de luchtroosters
- til het apparaat altijd op om het te verplaatsen, ook al is het over een kleine afstand, duw of sleep het vooral niet aan
- ieder ander gebruik van het apparaat dan het maken van ijsblokjes met koud drinkwater, moet als een onjuist gebruik beschouwd worden
- bedek de luchtroosters en de warmteverspreidingsroosters niet daar door een slechte ventilatie niet alleen het rendement afneemt en het apparaat niet goed kan werken, maar ook ernstige schade aan het apparaat aangericht kan worden
- bij defect en/of slechte werking van het apparaat moet het losgekoppeld worden van het elektriciteitsnet via de schakelaar voorzien tijdens de installatiefase, moet u de stekker (indien voorzien) uit het stopcontact trekken en de watertoevoer kraan sluiten. Voer nooit herstellingen of directe interventies uit en wend u uitsluitend tot professioneel gekwalificeerd personeel
- het aanbrengen of laten aanbrengen van wijzigingen op dit apparaat doet alle vormen van garantie vervallen en kan tevens erg gevaarlijk zijn
- open en sluit de klep voorzichtig zonder ermee te slaan
- gebruik de ijsbak niet om eten of drinken af te koelen of te bewaren daar hierdoor de afvoer verstopt zou kunnen raken waardoor de bak zelf vol raakt en er water uit loopt
- neem bij defecten contact op met de verdeler die u het apparaat heeft verkocht. Hij zal u het dichtstbijzijnde Bevoegde Servicecentrum aanduiden. Wij raden u aan steeds originele vervangstukken te eisen
- mogelijke waarschuwingen of schema's horende bij speciale modellen worden geleverd in bijlage aan de handleiding

**!! Bij het gebruik van dit elektrische apparaat moeten enkele fundamentele regels in acht genomen worden, en in het bijzonder:**

- niet met natte of vochtige handen of voeten aanraken
- niet gebruiken, wanneer u op blote voeten loopt
- geen verlengsnoeren in bad- of doucheruimtes gebruiken
- niet aan de elektriciteitskabel trekken, om het apparaat van het elektriciteitsnet los te schakelen
- het apparaat kan worden gebruikt door kinderen van leeftijd niet jonger dan 8 jaar en mensen met een beperkte fysieke, zintuiglijke of geestelijke vermogens, of die gebrek aan ervaring en de nodige kennis, mits onder toezicht, of nadat deze zelfde hebben ontvangen over het veilig gebruik van het apparaat en het begrip van de gevaren daarvan. Kinderen mogen niet spelen met het apparaat
- toezicht houden over kinderen zodat ze niet met het apparaat kunnen spelen

Als u besluit het apparaat niet meer te gebruiken, wordt er aanbevolen het buiten werking te stellen door de elektriciteitskabel door te knippen (nadat u de stekker uit het stopcontact getrokken heeft).

Bovendien wordt er aanbevolen:

- de klep eraf te breken om te voorkomen dat in de buurt spelende kinderen klem zouden kunnen raken
- te vermijden dat het koelgas en de olie uit de compressor in het milieu vrijkomen
- ervoor te zorgen dat het materiaal volgens de landelijk geldende voorschriften afgevoerd of gerecycleerd wordt



Dit symbool duidt aan dat dit product niet valt onder de categorie huishoudelijk afval. Om het milieu en uw gezondheid te beschermen moet u ervoor zorgen dat dit product correct wordt weggegooid en gerecycleerd. Voor meer informatie over de afvalverwerking en recyclage van dit product moet u contact opnemen met uw verdeler of de dienst afvalverwerking.

**Dit apparaat bevat geen koelmiddel dat een gevaar voor de ozonlaag vormt. Bevat onder het Protocol van Kyoto vallende gefluoreerde broeikasgassen. Het product is hermetisch verzegeld.**

**!! Een verkeerde installatie kan schade aan het milieu en aan dingen of letsel aan personen of dieren veroorzaken waarvoor de Fabrikant niet aansprakelijk gesteld kan worden.**

## 2 TECHNISCHE GEGEVENS (Fig. 1)

De spannings- en frequentiewaarden zijn op de naamplaat aangegeven. U kunt deze, voor eventueel onderzoek of controle, raadplegen.

Spanning (1), vermogen (2), model (3), registratienummer (4), Fabrikant (5).

Het doorlopende gelijkwaardig op A afgewogen geluidsdrukniveau van dit apparaat is lager dan 70 dB(A). De metingen werden uitgevoerd tijdens de productie op 1 meter afstand van het oppervlak van het apparaat, op 1,60 meter hoogte van de grond.

Het elektriciteitsplan is op het tegenpaneel aan de voorzijde van het apparaat aangebracht.

Om hierbij te kunnen komen, moet men de stroom van het apparaat uitschakelen, de schroeven, die het voorpaneel vasthouden, losschroeven en het paneel, nadat men de klep geopend heeft, verwijderen.

## 3 NUTTIGE AANWIJZINGEN VOOR HET VERVOER

Het netto en bruto gewicht van dit apparaat zijn op de omslag van deze handleiding aangegeven. Op de verpakking staat hoe het apparaat op de juiste wijze te vervoeren en op te heffen.

Om te verhinderen dat de zich in de compressor bevindende olie in het koelcircuit stroomt, dient u het apparaat uitsluitend in verticale stand te vervoeren, op te slaan en te verplaatsen, waarbij u de op de verpakking aangegeven aanwijzingen in acht moet nemen.

## 4 UITPAKKEN

**Het apparaat moet geïnstalleerd worden in overeenstemming met de landelijk geldende normen, volgens de instructies van de Fabrikant en door erkend en vakbekwaam personeel.**

Nadat u de verpakking verwijderd heeft zoals op de doos aangegeven is, MOET U ER ZICH VAN VERZEKEREN DAT HET APPARAAT COMPLEET IS. IN GEVAL VAN TWIJFEL HET APPARAAT NIET GEBRUIKEN EN CONTACT OPNEMEN MET DE VERKOPER.

**Al het verpakkingsmateriaal (plastic zakken, karton, schuimplastic, spijkers, enz.) mag niet binnen bereik van kinderen achtergelaten worden daar dit een gevaar kan vormen.**

Als de pallet volledig op de grond rust, moet u, met een zeskantsleutel, de schroeven (indien voorzien) waarmee het apparaat aan de houten pallet bevestigd is, losschroeven (Fig. 2).

Til, met speciale hefmiddele naar gelang het gewicht, het apparaat van de houten pallet en schroef de bijgeleverde pootjes (6 Fig. 3) in de uitsparingen in de basisplaat.

Controleer met behulp van een waterpas of het apparaat perfect horizontaal staat. U kunt dit eventueel bijstellen door middel van de pootjes.

## 5 INSTALLATIE

### 5.1 VERBINDINGSSHEMA (Fig. 4)

7. elektriciteitsaansluiting bestuurd door meerpolige differentieel schakelaar
8. watertoevoerkraan
9. watertoevoerslang
10. waterafvoerslang

### 5.2 PLAATSING

**!! Het apparaat moet geïnstalleerd worden in een omgeving die vanuit een hygiënisch standpunt schoon is. Vermijd derhalve kelders of opbergruimtes: indien de hygiënische normen niet gerespecteerd worden zal dit de vorming en groei van bacteriën in het apparaat bevorderen.**

Het apparaat kan werken bij een omgevingstemperatuur tussen 10°C en 43°C.

De beste prestatie verkrijgt men door installatie van het apparaat bij een omgevingstemperatuur tussen 10°C en 35°C en watertemperatuur tussen 3°C en 25°C.

Vermijd rechtstreekse blootstelling aan zonlicht en de nabijheid van warmtebronnen.

!! Dit apparaat:

- moet geïnstalleerd worden op een plaats waar het gecontroleerd kan worden door gekwalificeerde personeel
- mag niet buiten gebruikt worden
- mag niet in vochtige ruimtes of in de buurt van waterstralen geplaatst worden
- mag niet schoongemaakt worden met waterstralen
- moet minstens 5 cm. van de zijwanden af geplaatst worden

### 5.3 AANSLUITING OP DE WATERLEIDING

**!! BELANGRIJK:**

- de aansluiting op de waterleiding moet volgens de aanwijzingen van de Fabrikant door vakbekwaam personeel uitgevoerd worden
- dit apparaat mag uitsluitend met koud drinkwater gebruikt worden
- de bedrijfsdruk moeten tussen de 0,1 en 0,6 MPa liggen
- tussen de waterleiding en de toevoerslang van het apparaat moet op zodanige wijze een kraan gemonteerd worden dat in geval van nood de watertoevoer afgesloten kan worden
- in geval van bijzonder kalkrijk leidingwater is het aanbevolen een polyvalent cartridge filter te installeren. De aanwezigheid van vaste stoffen (zoals zand, enz.) kan verhinderd worden door de installatie van een mechanisch filter, dat van tijd tot tijd gecontroleerd en gereinigd moet worden. Deze inrichtingen moeten in overeenstemming zijn met de landelijk hiervoor geldende voorschriften
- draai nooit de kraan voor de watertoevoer dicht als het apparaat in werking is
- voor de aansluiting op het lichtnet watervoorziening gebruik alleen de nieuwe buizen meegeleverd met het apparaat, gebruik geen oude leidingen of een eerder gebruikte

### 5.3.a TOEVOER (Fig. 5)

Plaats in de twee draadringen (12) in de watertoevoerslang (11), die bij het apparaat geleverd is, de speciale afdichtingen (15). Schroef een draadring stevig, maar niet te strak, ter voorkoming van barsten in de verbindingstukken, op de uitgang van de elektromagneetklep, die zich aan de achterzijde van het apparaat bevindt en de andere draadring op de waterkraan (8), die ook van schroefdraad voorzien is.

### 5.3.b AFVOER (Fig. 5)

Bevestig de waterafvoerslang (10) op de plaats daarvoor aan de achterkant van het apparaat en controleer of:

- de slang van het flexibele type is
- de binnendiameter zoals voorgeschreven 22 mm. is
- er over de hele lengte van de afvoerslang geen vernauwingen zijn
- de afvoerslang een hellingshoek van minstens 15% heeft

Het beste is, ervoor te zorgen dat de afvoer direct in open sifon plaatsvindt.

## 5.4 AANSLUITING OP HET ELEKTRICITEITSNET

### !! BELANGRIJK:

- de aansluiting op het elektriciteitsnet moet uitgevoerd worden door professioneel gekwalificeerd en bekwaam gesteld personeel, volgens de normen geldig in het land van gebruik
- controleer, alvorens het apparaat op het elektriciteitsnet aan te sluiten, of de spanning van het elektriciteitsnet overeenstemt met die op de plaat
- verzeker u ervan dat het apparaat met een goed geaarde installatie verbonden wordt
- controleer of het elektrische vermogen van de installatie afgestemd is op het op de plaat aangegeven maximale vermogen van het apparaat
- indien het apparaat geleverd wordt zonder stekker moet u voorzien in een geschikt, door een alpolige schakelaar (7 Fig. 4) geregeld stopcontact, met een openingsafstand tussen de contacten gelijk aan of groter dan 3 mm, waarmee de complete loskoppeling in omstandigheden van overspanning categorie III, volgens de nationaal geldende veiligheidsvoorschriften, dat uitgerust is met zekeringen, met een aangekoppeld differentieel en zodanig geplaatst, dat hij makkelijk bereikbaar is
- u kunt de stekker door erkend en vakbekwaam personeel laten vervangen, mits de stekker aan de landelijk geldende veiligheidsvoorschriften voldoet
- indien het apparaat zonder stekker geleverd wordt en u het op permanente wijze met het elektriciteitsnet wilt verbinden, moet u een alpolige schakelaar aanleggen (7 Fig. 4), met een openingsafstand tussen de contacten gelijk aan of groter dan 3 mm, waarmee de complete loskoppeling in omstandigheden van overspanning categorie III, volgens de landelijk geldende veiligheidsvoorschriften, uitgerust met zekeringen, met een aangekoppeld differentieel en zodanig geplaatst, dat hij makkelijk bereikbaar is. Dit moet door een gespecialiseerd technicus gedaan worden
- er wordt aanbevolen de elektriciteitskabel over zijn hele lengte uit te rollen en daarbij te controleren dat hij geenszins platgedrukt wordt
- indien de elektriciteitskabel beschadigd is, moet hij door een speciale elektriciteitskabel, die alleen bij de Fabrikant of bij de Bevoegde Servicecentra verkrijgbaar is, vervangen worden, door vakbekwaam personeel.



## 6 START

### 6.1 REINIGING VAN DE INTERNE DELEN

Het apparaat is reeds in de fabriek schoongemaakt. Wij raden echter aan, de binnenkant voor het gebruik nog eens af te wassen, waarbij u zich ervan moet verzekeren dat de elektriciteitskabel niet aangesloten is.

**Raadpleeg de handleiding voor reiniging en ontsmetting voor alle nodige informatie over de schoonmaakwerkzaamheden.**

Gebruik voor schoonmaak een gewoon afwasmiddel of een water-en-azijn-oplossing; daarna moet het apparaat grondig gespoeld worden met veel koud water en moet het ijs dat gevormd wordt tijdens de eerste 30 minuten die volgen op een schoonmaakbeurt en het ijs dat eventueel aanwezig is de bak weggegooid worden. Het gebruik van schuurmiddelen of schuurpoeder wordt afgeraden daar hierdoor de afwerkingselementen zouden kunnen beschadigen.

### 6.2 START

Nadat het apparaat correct op het elektriciteitsnet, op de waterleiding en op het waterafvoersysteem werd aangesloten kan het als volgt opgestart worden:

- a) draai de kraan (8 Fig. 4) voor watertoevoer open
- b) steek de stekker in het stopcontact (indien voorzien) en schakel de stroom in door middel van de schakelaar (7 Fig. 4) die bij de installatie speciaal daarvoor gemonteerd is

Start het apparaat op door de schakelaar met lampje (13 Fig. 3) in te drukken.

Voor de apparaten die permanent met het elektriciteitsnet verbonden zijn, de stroom inschakelen door op de buiten het apparaat gelegen schakelaar te drukken, die hier bij de installatie speciaal voor gemonteerd is.

## 7 VOORNAAMSTE STORINGSOORZAKEN

Indien het ijs niet geproduceerd wordt, is het nuttig, alvorens het Bevoegde Servicecentrum te hulp te roepen, te controleren of:

- de kraan (8 Fig. 4) van de waterleiding die bij de installatie gemonteerd is, open staat
- de elektriciteit niet uitgevallen is, de stekker (indien voorzien) goed in het stopcontact zit, de schakelaar (7 Fig. 4) op de stand "AAN" staat en de knop (13 Fig. 3) verlicht is

Bovendien:

- als het apparaat te veel lawaai maakt, controleren of het niet in aanraking staat met meubels of metaalplaten waardoor lawaai of trillingen veroorzaakt zouden kunnen worden
- als u waterlekken opmerkt, controleren of de afvoeropening van de bak niet verstopt is, of de watertoe- en afvoerslangen goed verbonden zijn en of er geen vernauwingen of beschadigingen in aanwezig zijn
- controleer of de temperatuur van de lucht of van het water de grenswaarden voor de installatie (zie paragraaf 5.2) niet overschrijdt
- controleer of de filter in de watertoevoer niet verstopt is (zie paragraaf 9.1)

Als na de bovenbeschreven controles uitgevoerd te hebben, de storing aanhoudt, kunt u het beste het apparaat van de elektriciteit los schakelen door middel van de tijdens de installatie gemonteerde schakelaar, de stekker (indien voorzien) uit het stopcontact trekken, de waterleidingkraan dicht draaien en contact opnemen met het dichtstbijzijnde Bevoegde Servicecentrum.

Voor een snelle en doeltreffende service is het belangrijk, wanneer u opbelt, nauwkeurig het model, het registratienummer of het bouwnummer te vermelden; deze gegevens staan op de naamplaat (Fig. 1) van het apparaat en op de omslag van deze handleiding.

## 8 WERKING

Het apparaat is voorzien van een thermostaat in de ijsbak die de productie stopt wanneer de hier op aangesloten sonde contact maakt met het in de ijsbak opgehoopte ijs. Als er ijs uit de bak verwijderd wordt, activeert de thermostaat automatisch de productie weer, waardoor er een nieuwe voorraad ijs gemaakt wordt.

## 9 ONDERHOUD

### 9.1 REINIGING FILTER ELEKTROMAGNEETKLEP VOOR WATERTOEVOPER (Fig. 6)

**⚠ Alle in deze paragraaf beschreven werk mogen pas uitgevoerd worden nadat professioneel bekwaam gesteld en gekwalificeerd personeel volgens de hiervoor beschreven handelingen de elektriciteit en de watertoevoer afgesloten heeft.**

!! Reinig om de twee maanden de filter (14) op de elektromagneetklep van de watertoevoer door als volgt te werk te gaan:

- haal de stroom van het apparaat door middel van de speciale schakelaar (7 Fig. 4) die tijdens de installatie gemonteerd is en trek de stekker uit het stopcontact
- stop de watertoevoer door middel van de speciale kraan (8 Fig. 4) die tijdens de installatie gemonteerd is
- draai de draadring (11) van de watertoevoerslang los die zich op de uitgang uit de elektromagneetklep bevindt in de achterkant van het apparaat.
- verwijder met behulp van een pincet de filter (14) van zijn plaats zonder de verbinding van de watertoevoerslang te beschadigen
- verwijder eventuele resten door de filter onder een waterstraal te houden; als het te vuil is moet u het vervangen

Na de filter schoon gemaakt te hebben moet u de filter en de watertoevoerslang weer monteren; volg hierbij de waarschuwingen die reeds in het begin van deze handleiding vermeld zijn.

**Na bovenstaande handeling voltooid te hebben, de elektrische stroom en de watertoevoer weer activeren.**

### 9.2 MODELLEN MET LUCHTVERDICHTING (Fig. 147)

Voor de modellen met luchtverdichting is het bijzonder belangrijk de koelvincondensator en de bijbehorende buitenfilter (indien aanwezig) schoon te houden. U dient de koelvincondensator minstens iedere 2 maanden door een Bevoegd Servicecentrum te laten reinigen, dat deze handeling in de normale onderhoudswerkzaamheden kan opnemen.

De buitenfilter (indien aanwezig) moet als volgt, minstens 1 maal per maand, schoongemaakt worden:

- stop het toestel en **koppel de elektriciteitstoevoer los** via de schakelaar (7 Fig. 4) voorzien tijdens de installatie
- open het plastic rooster
- verwijder de filter en houd hem uit de buurt van het apparaat
- verwijder het stof uit de filter met perslucht
- plaats de filter terug in zijn invoegplaats en doe het plastic rooster dicht

### 9.3 REINIGING EN ONTSMETTING

**Bij uw verkoper kan u een speciaal voor dit apparaat bestemd kit voor schoonmaak en ontsmetting verkrijgen.**

**!! Gebruik geen bijtende stoffen om kalkresten te verwijderen uit het toestel: hierdoor vervalt de garantie en kan u ernstige schade berokkenen aan de materialen en onderdelen van het toestel.**

**Gebruik geen waterstralen om het apparaat schoon te maken.**

**!! Alle reinigingswerkzaamheden mogen pas uitgevoerd worden nadat professioneel bekwaam gesteld en gekwalificeerd personeel volgens de hiervoor beschreven handelingen de elektriciteit en de watertoevoer afgesloten heeft.**

**Houd u aan de instructies vermeld in de handleiding voor reiniging en ontsmetting bijgeleverd bij dit apparaat.**

**!! BELANGRIJK:**

**Al het ijs dat gevormd wordt tijdens de eerste 30 minuten die volgen op een schoonmaak- en ontsmettingsbeurt, plus hetgeen eventueel aanwezig is in de bak, moet weggegooid worden.**

De volledige ontsmetting kan echter uitsluitend door de Bevoegde Servicecentra uitgevoerd worden en moet zo vaak als nodig is herhaald worden, afhankelijk van de gebruiksomstandigheden van het apparaat, van de chemische en fysische eigenschappen van het water en na iedere periode van buitenwerkingstelling van het apparaat.

Wij raden u aan de Verkoper, die u dit apparaat verkocht heeft, te vragen om een periodiek onderhoudscontract, dat voorziet in:

- het reinigen van de condensator
- het reinigen van het op de elektromagneetklep geplaatste filter voor de watertoevoer
- het reinigen van de ijsbak
- de controle van het koelgas
- de controle van de functioneringscyclus
- de ontsmetting van het apparaat

## **10 BUITENWERKINGSTIJDEN**

Als u voorziet dat het apparaat een bepaalde periode niet gebruikt zal worden, moet u:

- de stroomtoevoer door middel van de speciale schakelaar (7 Fig. 4) die tijdens de installatie gemonteerd is afzetten en de stekker uit het stopcontact (indien voorzien) trekken
- de watertoevoer afsluiten door middel van de kraan (8 Fig. 4) die tijdens de installatie gemonteerd is
- alle vereiste periodieke onderhoudswerkzaamheden aan het apparaat uitvoeren (zie hoofdstuk 9)
- maak de filter van de elektromagnetische klep voor watertoevoer schoon zoals beschreven in hoofdstuk 9.1
- maak de filter van de luchtcondensor (indien aanwezig) schoon zoals beschreven in hoofdstuk 9.2

Sehr geehrter Kunde, Sie haben sich für ein Qualitätsprodukt entschieden, das mit Sicherheit Ihre Erwartungen erfüllen wird. Wir danken Ihnen für diese Wahl und möchten Sie bitten, diese Bedienungsanleitung gründlich zu lesen, bevor Sie Ihren neuen Eiswürfelbereiter in Betrieb nehmen.

## 1 WICHTIGE ALLGEMEINE HINWEISE UND RATSCHLÄGE

Die vorliegende Bedienungsanleitung ist Bestandteil des automatischen Eiswürfelbereiters (im folgenden zur Vereinfachung als Gerät bezeichnet) und muss unbedingt sorgfältig aufbewahrt werden, damit Sie zu jedem Zeitpunkt darin nachschlagen können. Im Fall des Verkaufs oder der Weitergabe des Geräts an Dritte muss diese Bedienungsanleitung ebenfalls dem neuen Benutzer ausgehändigt werden, damit sich dieser über die Funktionsweise und die Anleitung zur Inbetriebnahme unterrichten kann.

**!! Bevor Sie das Gerät aufstellen und benutzen, sollten Sie alle in dieser Bedienungsanleitung enthaltenen Hinweise gründlich gelesen haben. Diese Hinweise ermöglichen eine sichere Aufstellung, Bedienung und Wartung des Gerätes.**

- Immer das Gerät vom Stromnetz trennen, bevor irgendeine Reinigungs- oder Wartungsarbeit vorgenommen wird
- Um ein korrektes Funktionieren und eine hohe Leistung des Geräts zu garantieren, ist es erforderlich, dass Sie alle Hinweise des Herstellers beachten und Wartungsarbeiten nur von dafür qualifiziertem Fachpersonal ausführen lassen
- Schutzgitter oder Blechtafeln dürfen nicht abgenommen werden
- Keine Gegenstände auf das Gerät stellen oder vor die Lüftungsgitter legen
- Das Gerät auch für kleinere Transporte immer heben. Es darf nicht geschoben oder gezogen werden
- Jede Benutzung des Gerätes, die nicht der Produktion von Eiswürfeln aus kaltem Trinkwasser bestimmt ist, ist als bestimmungswidrig zu betrachten
- Die Lüftungs- und Wärmeableitungsgitter nicht verstopfen, weil eine schlechte Lüftung nicht nur zur verringerten Leistung führt, sondern auch schwere Schäden am Gerät zur Folge haben kann
- Bei Störungen und/oder Fehlbetrieb des Geräts ist es vom Stromnetz zu trennen, indem man den Schalter betätigt, der bei der Installation vorgesehen worden ist, und dann den Stecker (wenn vorgesehen) des Gerätes aus der Netzsteckdose zieht, den Wasserhahn absperrt. Keine eigenmächtigen Reparaturen oder sonstige Eingriffe versuchen, sondern wenden Sie sich ausschließlich an qualifiziertes Fachpersonal
- Werden Änderungen am Gerät vorgenommen oder der Versuch dazu gemacht, entstehen schwerwiegende Gefahrensituationen. Außerdem erlischt hierdurch jede Form des Garantieanspruchs
- Die Klappe vorsichtig öffnen und schließen und nicht zuschlagen lassen
- Der Eisbehälter darf nicht zur Aufbewahrung oder Kühlung von Speisen oder Getränken verwendet werden. Dies kann eine Verstopfung des Wasserablaufs bewirken, was ein Auffüllen des Behälters und ein nachfolgendes Überlaufen zur Folge hätte
- Sollten Störungen auftreten, so kann Ihr Fachhändler den für Ihren Wohnort zuständigen autorisierten Kundendienst nennen. Wir empfehlen Ihnen dringend, ausschließlich Originalersatzteile zu verlangen
- Eventuelle Hinweise oder Übersichten zu Sonderausführungen finden sich im Anhang dieser Bedienungsanleitung

Die Benutzung dieses elektrisch betriebenen Geräts setzt die Beachtung einiger grundlegender Vorsichtsmaßnahmen voraus, wie insbesondere:

- Nicht mit nassen oder feuchten Händen oder Füßen anfassen
- Nicht benutzen, wenn man barfuß ist
- In Räumen, die zum Baden oder Duschen benutzt werden, keine Verlängerungsschnur verwenden
- Nicht an der Geräteschnur ziehen, um das Gerät vom Stromnetz zu trennen
- Das Gerät kann von Kindern ab 8 Jahren und Personen mit eingeschränkten physischen, sensorischen oder geistigen Fähigkeiten oder mangels Erfahrung oder Kenntnisse erforderlich, unter Überwachung vorgesehen verwendet werden, oder nachdem sie die gleichen Anweisungen für alle erhalten haben sorgen für sicheren Betrieb und das Verständnis der Gefahren, die in ihm. Kinder sollten nicht mit dem Gerät spielen. Die Reinigungs- und Wartungsarbeiten vorgesehen, die vom Benutzer durchgeführt werden sollen, die nicht von Kindern ohne Aufsicht durchgeführt werden
- Die Kinder überwachen, damit sie nicht mit dem Gerät spielen

Falls Sie das Gerät nicht länger benutzen möchten, sollten Sie es durch Abschneiden des Anschlusskabels vollkommen betriebsunfähig machen (nachdem Sie vorher das Kabel vom Stromnetz getrennt haben).

Bitte beachten Sie hierzu außerdem:

- Die Klappe sollte vollständig entfernt werden, damit das Gerät keine Gefahr für Kinder darstellen kann. Kinder könnten damit spielen und darin eingeschlossen werden
- Der Kompressor enthält Schmieröl und ein Kältemittel, welche ordnungsgemäß entsorgt werden müssen. Sie dürfen nicht in die Umwelt gelangen
- Eine Entsorgung und Rückgewinnung zur Wiederverwendung aller sonstigen Materialien ist unter Einhaltung der geltenden nationalen Gesetze durchzuführen



Dieses Symbol bedeutet dass dieses Produkt nicht als Haushaltsmüll behandelt werden darf. Um potentiellen negative Wirkungen für dem Umwelt und die Gesundheit zu verhüten, vergewissern Sie sich, dass dieses Produkt ordnungsgemäß entsorgt und wieder verwertet wird. Zwecks weiterer Informationen zur Entsorgung und zum Recycling dieses Produktes setzen Sie sich mit Ihrem Lieferanten oder dem Abfallbeseitigungsservice in Verbindung.

**Das in diesem Gerät enthaltene Kältemittel schädigt nicht die Ozonschicht. Enthält vom Kyoto-Protokoll erfasste fluorierte Treibhausgase. Das Produkt ist hermetisch versiegelt.**

**!! Eine falsche Installation kann die Umwelt, Tiere, Personen oder Dinge beschädigen. Der Hersteller übernimmt keine Haftung für derartige Vorkommnisse.**

## 2 TECHNISCHE DATEN (Fig. 1)

Die Werte von Betriebsspannung und -frequenz stehen auf dem Typenschild. Auf dieses ist für alle Prüfungen oder Feststellungen Bezug zu nehmen.

Spannung (1), Leistung (2), Modell (3), Seriennummer (4), Hersteller (5).

Der gewichtete äquivalente Dauerschalldruckpegel dieses Gerätes liegt unter 70 dB (A). Die Messungen sind während der Produktion in einem Abstand von 1 Meter von der Oberfläche des Gerätes und in einer Höhe von 1,60 Meter vom Boden ausgeführt worden.

Der elektrische Schaltplan ist auf der Rückseite der vorderen Abdeckwand des Geräts angebracht. Um an den Schaltplan zu gelangen, trennen Sie das Gerät vom Stromnetz, lösen die Schrauben der vorderen Abdeckwand and ziehen diese bei geöffneter Klappe heraus.

## 3 WICHTIGE HINWEISE ZUM TRANSPORT

Nettogewicht sowie Bruttogewicht des Geräts sind auf der Umschlagseite der vorliegenden Bedienungsanleitung angegeben. Auf der Verpackung stehen alle Anweisungen für korrekte Handhabung und richtiges Heben.

Damit das im Kompressor befindliche Öl nicht in den Kühlkreislauf gelangt, darf der Gerät ausschließlich aufrecht stehend transportiert, bewegt und gelagert werden. Hierzu sind die auf der Verpackung befindlichen Kennzeichnungen zu beachten.

## 4 AUSPACKEN

**Die Installation muss gemäß der geltenden nationalen Bestimmungen, nach den Vorschriften des Herstellers und durch befugtes und qualifiziertes Personal vorgenommen werden.**

Nach Entfernen der Verpackung VERGEWISSERN SIE SICH BITTE, DASS DAS GERÄT UNBESCHÄDIGT IST. IM ZWEIFELSFALL SOLLTEN SIE DAS GERÄT NICHT IN BETRIEB NEHMEN, SONDERN IHREN FACHHÄNDLER VERSTÄNDIGEN.

**Die Teile der Verpackung (Plastikbeutel, Karton, Schaumstoff, Nägel etc.) dürfen nicht in der Reichweite von Kindern aufbewahrt werden, weil sie eine mögliche Gefahrenquelle darstellen.**

Wenn die Palette ganz am Boden steht, mit einem Sechskantschlüssel die Schrauben losdrehen (wenn vorgesehen), die das Gerät an der Palette verankern (Abb. 2).

Das Gerät mit einem zum zu hebenden Gewicht passenden Hebezeug heben und von der Palette trennen, um dann die zum Lieferumfang gehörigen Standfüße des Geräts (6 Abb. 3) in die Aufnahmen in der Bodenplatte zu schrauben.

Mit einer Wasserwaage sicherstellen, dass das Gerät ganz eben steht. Etwaige Nachstellungen können mit den Standfüßen vorgenommen werden.

## **5 INSTALLATION**

### **5.1 ANSCHLUSSPLAN (Fig. 4)**

7. Stromanschluss durch allpoligen Schalter mit Differentialschutz
8. Absperrhahn Wasserzufuhr
9. Wasserzuleitungsschlauch
10. Wasserablaufschlauch

### **5.2 AUFSTELLUNG**

**!! Das Gerät muss in hygienisch sauberen Räumen aufgestellt werden; man vermeide also Räumlichkeiten wie Keller oder Abstellräume, denn das Nichteinhalten der hygienischen Erfordernisse begünstigt die Bildung und die Verbreitung von Bakterien im Inneren des Gerätes.**

Das Gerät kann bei einer Raumtemperatur zwischen 10°C und 43°C funktionieren. Die besten Leistungen werden erzielt, wenn man das Gerät bei einer Raumtemperatur zwischen 10°C und 35°C und bei einer Wassertemperatur zwischen 3°C und 25°C benutzt.

**Direkte Sonneneinstrahlung und die Nähe von Wärmequellen vermeiden.**

Dieses Gerät:

- **Muss an Orten aufgestellt werden, wo es von einer qualifizierten Person überwacht werden kann**
- Darf nicht im Freien betrieben werden
- Darf nicht in feuchten bzw. durch Spritzwasser gefährdeten Räumen aufgestellt werden
- Darf nicht mit Wasserstrahlen gereinigt werden
- Muss auf mindestens 5 cm Abstand zu den Seitenwänden stehen

#### **5.2.a AUFSTELLUNG VON EINBAUMODELLEN**

Die Belüftung wird durch das Gitter in der Frontplatte gewährleistet. Daher ist es nicht erforderlich, Abstände vorzusehen, wenn nicht die, die erforderlich sind, um den Einbau bequem vornehmen zu können. Um die Durchleitung des Stromkabels, der Wasserzu- und -ableitung vornehmen zu können, ist eine Öffnung in der Abstellfläche vorzusehen, wie in Abb. 5 angegeben.

Der Stecker und die Anschlüsse für die Zu- und Ableitung des Wassers sind von der Frontplatte her zugänglich. Um Zugriff zu erhalten, die Spannungsversorgung des Geräts ausschalten, dann die Schrauben losdrehen, mit denen die Frontplatte befestigt wird, und sie nach oben herausziehen, nachdem man die Klappe geöffnet hat (Abb. 6).

Bevor man das Gerät einbaut, muss das Stromkabel an der Grundplatte befestigt werden, so wie es in dem Plan von Abb. 6 dargestellt ist:

- Stecker und Kabel (11) durch das Loch (12) in der Platte stecken
- Die Kabeldurchführung (13) in ihre Aufnahme stecken

Nach der Ausführung der Anschlussarbeiten ist die Frontplatte wieder anzuschrauben.

## 5.3 ANSCHLUSS AN DAS WASSERNETZ

### !! WICHTIG:

- Der Wasseranschluss muss nach den Anleitungen des Herstellers erfolgen und von einem Fachmann ausgeführt werden
- Dieses Gerät darf nur mit kaltem, zum Zweck geeignetem Wasser (Trinkwasser) betrieben werden
- Der Betriebsdruck muss zwischen 0,1 und 0,6 MPa liegen
- Zwischen dem Schlauch der Wasserzuführung des Geräts und der Hauswasserleitung muss ein Absperrhahn installiert werden, damit der Wasserzufluss bei Bedarf unterbrochen werden kann
- Sollte das Wasser einen besonders hohen Härtegrad aufweisen, so wird der Einbau eines polyvalenten Patronenfilter empfohlen. Feste Bestandteile (zum Beispiel Sand usw.) können mit einem mechanischen Filter beseitigt werden. Dieser Filter ist regelmäßig zu kontrollieren und zu reinigen. Alle Vorrichtungen müssen den gültigen nationalen Vorschriften und Normen entsprechen
- Den Absperrhahn in der Wasserzuleitung nie schließen, wenn das Gerät eingeschaltet ist
- Für den Anschluss an die Wasserversorgung mit neuen Röhren nur mit dem Gerät geliefert wird, verwenden Sie keine alten Schläuche oder zuvor verwendeten

### 5.3.a ZULAUF (Fig. 5)

Setzen Sie die Dichtungsringe (12), welche dem Gerät beiliegen, in die Schraubanschlüsse (11) des Schlauchs zur Wasserzuführung (9) ein. Sorgen Sie für einen festen Sitz der Schraubanschlüsse. Ein zu starkes Anziehen der Verschraubungen kann allerdings zum Reißen der Gewinde führen. Ein Schlauchende wird an den Ausgang des Magnetventils auf der Rückseite des Eiswürfelautomaten geschraubt. Das andere Ende wird an den ebenfalls mit einem Gewinde versehenen Wasserhahn (8) geschraubt.

### 5.3.b ABLAUF (Fig. 5)

Befestigen Sie das Rohr zum Wasserablauf (10) an der auf der Rückseite des Geräts dafür vorgesehenen Stelle. Bitte überprüfen Sie, ob:

- Das Rohr biegsam ist
- Sein Innendurchmesser, wie vorgesehen, 22 mm beträgt
- Das Rohr auf seiner gesamten Länge keine Verengungen aufweist
- Das Ablaufrohr mindestens ein Gefälle von 15% hat

Es ist empfehlenswert, den Ablauf direkt in einen Abfluss mit Siphon einzuleiten.

## 5.4 ANSCHLUSS AN DAS STROMNETZ

### !! WICHTIG:

- Die Verbindung mit dem Stromnetz muss nach den gültigen nationalen Normen und von qualifiziertem, befugtem Fachpersonal vorgenommen werden
- Vor dem Anschluss des Geräts an das Stromnetz sicherstellen, dass die Netzspannung und -frequenz mit den Daten auf dem Typenschild des Geräts übereinstimmen
- Ein sicherer Betrieb des Geräts ist nur möglich, wenn er entsprechend der gültigen Sicherheitsvorschriften und Normen ordnungsgemäß geerdet wurde
- Stellen Sie sicher, dass die Belastbarkeit Ihres elektrischen Anschlusses der auf dem Typenschild des Geräts angegebenen maximalen Leistungsaufnahme angemessen ist
- Das Gerät wird mit Stecker geliefert; erforderlich ist die Installation einer speziellen Steckdose mit allpoligem magnetothermischen Schalter (7 Abb. 4) mit einem Mindestabstand der stromführenden Kontakte von 3 mm, so dass eine vollständige Trennung unter den Bedingungen der Überspannungskategorie III, der den gültigen nationalen Sicherheitsnormen und -vorschriften entspricht, versehen mit Sicherungen und Differentialschutz und so angebracht, dass er einfach zugänglich ist. Den Stecker in die Steckdose mit Schalter stecken (7 Abb. 4)
- Es ist möglich, den Stecker von einem Fachmann gegen einen anderen, ebenfalls den gültigen Sicherheitsnormen und -vorschriften entsprechenden Stecker austauschen zu lassen.
- Wenn das Gerät ohne Stecker geliefert wurde und Sie einen festen Anschluss an das Stromnetz beabsichtigen, so muss ein allpoliger magnetothermischer Schalter mit einem Mindestabstand der stromführenden Kontakte von 3 mm installiert werden, so dass eine vollständige Trennung unter den Bedingungen der Überspannungskategorie III, der den gültigen Sicherheitsnormen und -vorschriften entspricht. Dieser Schalter muss über Sicherungen und Differentialschutz verfügen und einfach zugänglich angebracht sein. Dieser Vorgang muss von einem spezialisierten Techniker ausgeführt werden

- Wickeln Sie das Anschlusskabel vollständig ab und prüfen Sie es auf eventuelle Beschädigungen durch Quetschen
- Sollte das Anschlusskabel beschädigt sein, muss es durch ein spezielles Anschlusskabel ersetzt werden, welches beim Hersteller oder bei den Servicestellen erhältlich ist

## 6 INBETRIEBNAHME

### 6.1 REINIGEN DER INNENTEILE

Das Gerät wurde schon im Herstellerwerk gereinigt. Vor einem Gebrauch ist jedoch ein erneutes Auswaschen des Geräteinnern zu empfehlen. Vergewissern Sie sich, dass dabei kein Anschluss des Gerätes an das Stromnetz vorliegt.

**Zwecks notwendiger Informationen zur Reinigung siehe Handbuch zur Reinigung und Desinfektion.**

Verwenden Sie für die Reinigungsarbeiten ein gewöhnliches Spülmittel oder eine Lösung aus Wasser und Essig; spülen Sie danach mit reichlich kaltem Wasser nach und beseitigen Sie das während der ersten 30 Minuten nach der Reinigung produzierte Eis sowie das im Behälter eventuell noch vorhandene.

Verwenden Sie keine scharfen Reinigungsmittel und kein Scheuermittel, da diese die Oberflächen angreifen können.

### 6.2 EINSCHALTEN

Nachdem das Gerät vorschriftsmäßig mit dem Stromnetz, dem Wassernetz und Wasserabflusssystem verbunden wurde, starten Sie es wie folgt:

- a) Öffnen Sie den Absperrhahn (8 Abb. 4) des Wasseranschlusses
- b) Stecken Sie den Stecker (wenn vorgesehen) in die Steckdose ein und ermöglichen Sie durch Betätigen des bei der Aufstellung installierten Schalters (7 Abb. 4) eine Stromaufnahme des Gerätes

Das Gerät einschalten, indem man den Leuchtschalter (13 Abb. 3) betätigt.

Ermöglichen Sie die Stromaufnahme für die fest mit dem Stromnetz verbundenen Geräte durch Betätigung des bei der Aufstellung installierten Außenschalters.

## 7 HAUPTSÄCHLICHE STÖRUNGSURSACHEN

Falls keine Eisbildung erfolgt, sollten Sie vor einer Benachrichtigung des Kundendienstes folgende Punkte überprüfen:

- Der zur Aufstellung des Gerätes erforderliche Absperrhahn des Wasserzuflusses (8 Abb. 4) muss geöffnet sein
- Zur Stromversorgung muss sich der Stecker (wenn vorgesehen) richtig in der Steckdose befinden, der Schalter (7 Abb. 4) muss auf „EIN“ stehen und die Taste (13 Abb. 3) muss leuchten

Sonstige Hinweise:

- Im Fall einer übermäßigen Geräuschentwicklung prüfen Sie bitte, ob das Gerät Möbel oder Metallflächen berührt, die Geräusch oder Schwingungen verursachen können
- Sollten Sie Wasserflecken finden, ist zu prüfen, ob sich die Öffnung des Wasserabflusses im Eiswürfelbehälter eventuell zugesetzt hat oder ob die Wasserzu- und -abflussleitungen korrekt verbunden sind und keine Verengungen oder Leckstellen aufweisen
- Sicherstellen, dass Wasser- und Lufttemperatur nicht über den zulässigen Installationswerten liegen (siehe Abschnitt 5.2)
- Sicherstellen, dass der Filter im Wassereinfluss nicht verstopft ist (siehe Abschnitt 9.1)

Bleibt die Störung trotz der oben genannten Überprüfungen weiterhin bestehen, sollten Sie das Gerät durch Betätigen des bei der Aufstellung installierten Schalters abschalten, den Stecker (wenn vorgesehen) aus der Steckdose ziehen, den Wasseranschluss schließen und den Kundendienst verständigen.



Um ein schnelles und effizientes Handeln des Kundendienstes zu ermöglichen, empfehlen wir Ihnen, schon bei der Benachrichtigung das genaue Modell und die Seriennummer oder die Herstellungsnummer anzugeben, die Sie auf dem Typenschild (Abb. 1) des Gerätes oder vorne auf der vorliegenden Bedienungsanleitung finden.

## 8 FUNKTIONSWEISE

Das Gerät ist mit einem Thermostat im Vorratsbehälter für Eiswürfel ausgestattet. Dieser schaltet die Produktion ab, sobald das angesammelte Eis das Fühlerelement, mit dem er verbunden ist, erreicht. Wird das Eis aus dem Behälter entnommen, schaltet der Thermostat die Eisproduktion selbständig wieder ein und erzeugt damit einen neuen Eisvorrat.

## 9 WARTUNG

### 9.1 REINIGEN DES FILTERS DES MAGNETVENTILS DER WASSERZUFUHR (Fig. 6)

**✂ Sämtliche Arbeiten in diesem Absatz beschriebenen müssen, wie bereits für die oben aufgeführten Wartungsarbeiten beschrieben, nach Unterbrechung der Strom- und Wasserzufuhr von professionell befugtem und qualifiziertem Fachpersonal durchgeführt werden.**

!! Den am Magnetventil des Wasserzuflusses eingesetzten Filter (14) in wenigstens zweimonatigen Abständen reinigen. Gehen Sie dazu wie folgt vor:

- Schalten Sie das Gerät mit dem dafür vorgesehenen Schalter (7 Abb. 4) ab und ziehen Sie den Stecker (wenn vorgesehen) aus der Steckdose
- Schließen Sie die Wasserzufuhr durch den dafür vorgesehenen Absperrhahn (8 Abb. 4)
- Schrauben Sie den Schlauchanschluss (11) ab, der auf dem Auslass des an der Rückseite des Geräts befindlichen Magnetventils sitzt.
- Nehmen Sie den Filter (14) mit Hilfe einer Zange aus seiner Halterung, ohne dabei das Schraubgewinde des Wasseranschlusses zu beschädigen
- Reinigen Sie den Filter unter einem Wasserstrahl von allen Rückständen; falls er zu schmutzig ist, ersetzen Sie ihn

Nach erfolgter Reinigung setzen Sie den Filter wieder ein und schrauben Sie den Wasseranschluss erneut an. Beachten Sie alle hierzu auf den vorderen Seiten dieser Bedienungsanleitung gegebenen Hinweise.

**Nach Beendigung dieses Vorgangs stellen Sie die Strom- und Wasserversorgung des Gerätes wieder her.**

### 9.2 AUSFÜHRUNGEN MIT LUFTKONDENSATION (Fig. 7)

Bei Modellen mit Luftkondensation ist es sehr wichtig, den gerippten Kondensator und den entsprechenden Außenfilter (wenn vorhanden) immer sauber zu halten. Lassen Sie den gerippten Kondensator regelmäßig mindestens alle zwei Monate vom Kundendienst reinigen. Der Kundendienst kann diese Reinigung in das Wartungsprogramm des Gerätes aufnehmen.

Die Reinigung des Außenfilters (wo vorhanden) muss mindestens einmal pro Monat durchgeführt werden, wobei man sich an folgende Anweisungen halte:

- Halten Sie das Gerät an und schalten Sie es mit dem dafür vorgesehenen Schalter (7 Abb. 4) ab
- Öffnen Sie das Plastikgitter
- Nehmen Sie den Filter heraus und halten Sie ihn fern vom Gerät
- Entfernen Sie mit Pressluft den Staub vom Filter
- Setzen Sie den Filter wieder ein und schließen Sie das Plastikgitter

### **9.3 REINIGUNG UND DESINFEKTION**

Bei Ihrem Fachhändler erhalten Sie ein Reinigungs- und Desinfektionskit, das eigens für dieses Gerät zusammengestellt wurde.

**!! Verwenden Sie niemals ätzende Mittel, um das Gerät vom Kalkstein zu befreien, denn sie verursachen schwere Schäden an den Materialien und Komponenten des Gerätes.**

**Außerdem erlischt dadurch eine jegliche Form des Garantieanspruchs.**

**Keine Wasserstrahlen zum Reinigen des Gerätes benutzen.**

**!! Sämtliche Reinigungsarbeiten müssen, wie bereits für die oben aufgeführten Wartungsarbeiten beschrieben, nach Unterbrechung der Strom- und Wasserzufuhr von professionell befugtem und qualifiziertem Fachpersonal durchgeführt werden.**

**Man halte sich an die im Handbuch zur Reinigung und Desinfektion beschriebenen Anweisungen, das mit diesem Gerät geliefert wird.**

**!! WICHTIG:**

**Das gesamte während der ersten 30 Minuten nach den Reinigungs- und Desinfektionsarbeiten produzierte Eis sowie das eventuell noch im Behälter vorhandene muss beseitigt werden.**

Eine vollständige Desinfektion des Gerätes kann nur vom autorisierten Kundendienst durchgeführt werden. Sie ist je nach den vorliegenden Einsatzbedingungen des Gerätes, je nach den chemischen und physikalischen Eigenschaften des Wassers und nach einer längeren Nichtbenutzung des Gerätes mit variabler Frequenz auszuführen.

Wir empfehlen Ihnen, mit Ihrem Fachhändler oder Kundendienst einen Wartungsvertrag abzuschließen, der folgende Arbeiten einschließt.

- Reinigung des Kondensator
- Säubern des Filters am Magnetventil des Wasserzuflusses
- Reinigung des Eisvorratsbehälters
- Kontrolle des Ladungszustandes des Kältemittels
- Kontrolle des Gefrierzyklus
- Desinfektion des gesamten Eiswürfelautomaten

### **10 LÄNGERER STILLSTAND DES GERÄTES**

Wenn Sie das Gerät für einen längeren Zeitraum nicht benutzen möchten, dann sollten Sie:

- Die Stromversorgung des Gerätes durch Betätigung des bei der Aufstellung dafür vorgesehenen Schalters (7 Abb. 4) unterbrechen und danach den Stecker aus der Steckdose (wenn vorgesehen) ziehen
- Die Wasserversorgung durch Betätigen des dafür vorgesehenen Absperrhahns (8 Abb. 4) unterbrechen
- Alle zur periodischen Wartung des Gerätes vorgesehenen Arbeitsschritte durchführen (siehe Kapitel 9)
- Den Filter des Magnetventils der Wasserzufuhr so reinigen, wie im Kapitel 9.1 beschrieben
- Den Filter des Luftkondensators (wenn vorhanden) so reinigen, wie im Kapitel 9.2 beschrieben

Cher Client, nous sommes heureux que vous ayez choisi un produit de qualité qui saura certainement répondre à vos attentes. Nous vous remercions de la confiance que vous avez bien voulu nous accorder et nous vous invitons à consulter attentivement ce manuel d'instructions avant d'utiliser votre nouvelle machine automatique à glaçons.

## 1 AVERTISSEMENTS ET CONSEILS IMPORTANTS

Ce manuel fait partie intégrante de la machine automatique à glaçons (ci-après dénommée appareil) et devra être conservé afin de pouvoir être consulté à tout moment. En cas de vente ou de transfert de l'appareil, ce manuel devra être remis au nouvel utilisateur de façon à ce que celui-ci puisse le consulter et prendre connaissance du mode de fonctionnement et des avertissements correspondants.

**!! Lisez attentivement les avertissements contenus dans ce manuel d'instructions avant d'installer et d'utiliser l'appareil. Ces avertissements sont fournis afin d'assurer la sécurité des utilisateurs en phase d'installation, d'utilisation et d'entretien.**

- débranchez toujours l'appareil avant de procéder à toute opération de nettoyage et d'entretien
- pour garantir le bon fonctionnement de l'appareil, il est indispensable de respecter les instructions du Fabricant et de confier l'entretien à un technicien qualifié
- n'enlevez aucun panneau, ni aucune grille
- ne posez pas d'objets sur l'appareil ou devant les grilles d'aération
- soulevez toujours l'appareil, même pour de petits déplacements, évitez toujours de le pousser ou le tirer
- tout usage de l'appareil autre que la fabrication de glaçons en cubes à partir d'eau froide potable, doit être considéré comme impropre
- évitez d'obstruer les grilles de ventilation et de dissipation de la chaleur car une mauvaise aération risque non seulement de diminuer le rendement de l'appareil et de l'empêcher de fonctionner correctement, mais aussi de provoquer de sérieux dommages à l'appareil en soi
- en cas de panne et/ou de mauvais fonctionnement, coupez le courant au moyen de l'interrupteur prévu à cet effet et débranchez (le cas échéant) la fiche de la prise de courant, fermez le robinet d'arrivée d'eau. N'essayez pas de le réparer ou d'intervenir directement et faites uniquement appel à du personnel qualifié
- modifier ou tenter de modifier cet appareil est extrêmement dangereux et annule toute forme de garantie
- ouvrez et fermez le volet avec précaution, sans le taper
- évitez d'utiliser le réservoir à glaçons pour refroidir ou conserver des aliments ou des boissons au risque de boucher le dispositif d'évacuation, ce qui entraînerait le remplissage anormal de ladite cuvette et, par suite, un débordement d'eau
- en cas de panne, contactez le Distributeur qui vous a vendu l'appareil, qui saura vous conseiller le Centre d'Assistance Agréé le plus proche. Nous vous recommandons d'exiger des pièces de rechange d'origine
- toute remarque éventuelle ou schéma relatif à des modèles particuliers seront joints au présent manuel d'instructions

!! L'utilisation de cet appareil électrique implique le respect d'un certain nombre de règles fondamentales, et notamment :

- évitez de toucher l'appareil avec les mains ou les pieds mouillés ou humides
- évitez d'utiliser l'appareil pieds nus
- évitez d'utiliser des rallonges dans les salles de bain ou les douches
- évitez de tirer le câble d'alimentation pour débrancher l'appareil
- l'appareil peut être utilisé par des enfants âgés de plus de 8 ans ou par des personnes dont les capacités physiques, sensorielles ou mentales réduites, ou manquant d'expérience ou de connaissances, à condition sous surveillance, ou après les mêmes ont reçu des instructions relatives à pour assurer la sécurité et la compréhension des dangers qui lui sont inhérents. Les enfants ne devraient pas jouer avec l'appareil. Le nettoyage et l'entretien destinée à être exécutée par l'utilisateur ne doivent pas être effectuées par les enfants sans supervision
- veillez à ce que les enfants ne jouent pas avec l'appareil

Si vous décidez de ne plus utiliser l'appareil, nous vous conseillons de le mettre hors d'usage en coupant le câble d'alimentation (après l'avoir débranché du secteur électrique).

Nous vous recommandons également:

- de casser et d'enlever le panneau d'ouverture afin d'éviter qu'un enfant risque de se coincer en voulant jouer avec l'appareil
- d'éviter d'abandonner dans la nature le gaz frigorigène et l'huile qui se trouvent dans le compresseur
- d'éliminer et de recycler les matériaux en fonction des dispositions nationales en vigueur en la matière



Ce symbole indique que ce produit ne doit pas être traité comme un déchet domestique. Pour éviter tout risque de pollution de l'environnement et de santé, veillez à ce que produit soit correctement pris en charge et recyclé au terme de sa durée de vie. Pour tout complément d'information concernant la prise en charge et recyclage de ce produit, veuillez contacter votre Distributeur ou le Service de traitement des déchets.

**Cet appareil ne contient aucun réfrigérant pouvant endommager la couche d'ozone. Cet appareil contient des gaz à effet de serre fluorés relevant du protocole de Kyoto. Produit fermé hermétiquement.**

**!! Une mauvaise installation peut provoquer des dommages à l'environnement, aux personnes, aux animaux et aux choses dont le Fabricant ne saurait être retenu responsable.**

## 2 DONNEES TECHNIQUES (Fig. 1)

La tension et la fréquence sont indiquées sur la plaquette d'immatriculation. Veuillez les consulter pour toute vérification ou contrôle.

Tension (1), puissance (2), modèle (3), n° de matricule (4), Fabricant (5).

Le niveau de pression sonore continue équivalent pondéré A de cet appareil est inférieur à 70 dB(A). Les mesures ont été effectuées à 1 mètre de la superficie de l'appareil et à 1,60 mètre de hauteur du sol, en phase de production.

Le schéma électrique est appliqué sur le panneau avant de l'appareil. Pour y accéder, coupez le courant à l'appareil, dévissez les vis qui fixent le panneau avant et enlevez-le après avoir ouvert la porte.

## 3 INDICATIONS UTILES POUR LE TRANSPORT

Le poids net et le poids brut de cet appareil sont indiqués sur la couverture de ce manuel. Sur l'emballage vous trouverez les instructions pour effectuer correctement le transport et le soulèvement de l'appareil.

Afin d'éviter que l'huile qui se trouve dans le compresseur coule dans le circuit réfrigérant, l'appareil doit toujours être transporté, stocké et déplacé en position verticale et conformément aux instructions figurant sur l'emballage.

## 4 DEBALLAGE

**L'installation doit être effectuée conformément aux normes nationales en vigueur, suivant les instructions du Fabricant et par des techniciens qualifiés et autorisés.**

Après avoir déballé l'appareil, en suivant les instructions imprimées sur la boîte, VERIFIEZ SI L'APPAREIL EST INTACT. EN CAS DE DOUTE, NE L'UTILISEZ PAS ET ADRESSEZ-VOUS AU DISTRIBUTEUR qui vous l'a vendu.

**Évitez de laisser les éléments d'emballage (sacs en plastique, carton, polystyrène expansé, clous, etc.) à la portée des enfants car ils représentent un danger potentiel.**

A l'aide d'une clé hexagonale fixe, dévissez les vis (le cas échéant) qui servent à fixer l'appareil au socle en bois (Fig. 2). Cette opération doit être effectuée une fois que le socle en bois repose parfaitement sur le sol. Soulevez l'appareil à l'aide d'un moyen de levage approprié et séparez-le du socle en bois; vissez ensuite les pieds

fournis dans les trous prévus à cet effet sur la base de l'appareil (6 Fig. 3).

A l'aide d'une nivelle, vérifiez si l'appareil est parfaitement horizontal. Dans le cas contraire, réglez les pieds jusqu'à ce qu'il soit horizontal.

## 5 INSTALLATION

### 5.1 SCHEMA DES CONNEXIONS (Fig. 4)

7.       branchement électrique commandé par un interrupteur omnipolaire à différentiel
8.       robinet d'arrivée d'eau
9.       tuyau d'arrivée d'eau
10.      tuyau d'évacuation d'eau

### 5.2 MISE EN PLACE

**L'appareil doit être installé dans des lieux bénéficiant de bonnes conditions d'hygiène; éviter donc de l'installer dans des caves ou des débarras au risque de favoriser l'apparition et la prolifération de bactéries à l'intérieur même de l'appareil.**

**L'appareil peut fonctionner lorsque la température ambiante est comprise entre 10°C et 43°C.**

**Pour un fonctionnement optimal de l'appareil, la température ambiante doit être comprise entre 10°C et 35°C et la température de l'eau entre 3°C et 25°C.**

**Évitez l'exposition directe aux rayons du soleil et la proximité de sources de chaleur.**

Cet appareil:

- **doit être installé dans un endroit où il pourra être contrôlé par du personnel qualifié**
- ne doit pas être utilisé à l'extérieur
- ne doit pas être placé dans un local humide et en présence de jets d'eau
- ne doit pas être nettoyé au jet d'eau
- doit être mis à une distance de 5 cm au moins des parois

### 5.3 RACCORDEMENT AU RESEAU HYDRIQUE

#### **!! IMPORTANT:**

- le raccordement au réseau hydrique devra être effectué conformément aux instructions du Fabricant et par un technicien qualifié
- cet appareil a spécialement et uniquement été conçu pour être alimenté avec de l'eau froide potable
- la pression de service devra être comprise entre 0,1 et 0,6 MPa
- entre le réseau hydrique et le tuyau de remplissage de l'appareil, vous devrez installer un robinet de façon à pouvoir interrompre le passage de l'eau en cas de besoin
- si l'eau est particulièrement calcaire, l'installation d'un filtre à cartouche polyvalent est recommandée. La présence de substances solides (sable, etc.) peut être éliminée moyennant la mise en place d'un filtre mécanique qui devra être contrôlé et nettoyé périodiquement. Ces dispositifs devront être conformes aux normes nationales en vigueur en la matière
- ne fermez jamais le robinet d'arrivée de l'eau quand l'appareil est en marche
- pour le raccordement au réseau d'eau en utilisant exclusivement des tuyaux neufs fournis avec l'appareil, ne pas utiliser de vieux tuyaux ou déjà utilisés

#### 5.3.a CHARGEMENT (Fig. 5)

Positionnez les garnitures d'étanchéité (12) fournies avec l'appareil dans les deux embouts filetés (11) du tuyau d'arrivée d'eau (9).

Vissez soigneusement - sans pour autant exercer une force excessive, au risque de fêler les raccords - un des deux embouts filetés sur la sortie de l'électrovanne située à l'arrière de l'appareil (**à l'avant dans le cas du modèle à encastrement total**). Vissez l'autre embout fileté sur le robinet d'eau (8), fileté lui aussi.

### 5.3.b DECHARGEMENT (Fig. 5)

Fixez le tuyau d'évacuation d'eau (10) à l'emplacement prévu à cet effet situé à l'arrière de l'appareil tout en vérifiant:

- si le tuyau est du type flexible
- si le diamètre interne est de 22 mm comme prévu
- l'absence d'étranglements sur toute la longueur du tuyau d'évacuation
- si le tuyau d'évacuation est incliné de 15% au moins

Il est bon de prévoir que l'évacuation se fasse directement en siphon ouvert.

## 5.4 RACCORDEMENT AU SECTEUR ELECTRIQUE

### !! IMPORTANT:

- le raccordement au secteur électrique doit être conforme aux normes nationales en vigueur et effectué par du personnel agréé hautement qualifié
- avant de brancher l'appareil au secteur électrique, assurez-vous que la tension correspond à celle indiquée sur la plaquette d'immatriculation
- assurez-vous que l'appareil est mis à la terre correctement
- vérifiez que la portée électrique de l'installation correspond à la puissance maximum de l'appareil indiquée sur la plaquette d'immatriculation
- si l'appareil est livré avec fiche, installer une prise spéciale commandée par un interrupteur magnéto-thermique omnipolaire (7 Fig. 4) où la distance d'ouverture des contacts devra être égale ou supérieure à 3 mm, permettant la déconnexion complète dans les conditions de la catégorie de surtension III, conformément aux normes nationales de sécurité en vigueur, doté de fusibles, avec différentiel associé et positionné de façon à être facilement accessible. Branchez la fiche dans la prise commandée de l'interrupteur (7 Fig. 4)
- il est possible de faire remplacer la prise par un technicien qualifié et agréé, à condition que la nouvelle prise soit conforme aux normes nationales de sécurité en vigueur
- si l'appareil est livré sans fiche, donc prévu pour rester branché en permanence au secteur électrique, il faudra installer un interrupteur magnétothermique omnipolaire (7 Fig. 4) où distance d'ouverture des contacts égale ou supérieure à 3 mm, permettant la déconnexion complète dans les conditions de la catégorie de surtension III, conforme aux normes nationales de sécurité en vigueur, doté de fusibles, avec différentiel associé et positionné de façon à être facilement accessible. Cette opération devra être effectuée par un technicien qualifié
- nous vous conseillons de dérouler le câble d'alimentation sur toute la longueur et de vérifier s'il n'est pas écrasé à certains endroits
- un câble d'alimentation abîmé doit être remplacé par un technicien qualifié en utilisant un câble spécial disponible uniquement auprès du Fabricant ou des Centres d'Assistance Agréés

## 6 MISE EN SERVICE

### 6.1 NETTOYAGE DES PARTIES INTERNES

L'appareil a déjà été nettoyé à l'usine. Toutefois, il est préférable de nettoyer une nouvelle fois les parties internes avant de l'utiliser, en veillant à ce que le câble d'alimentation soit débranché. Pour tout complément d'information concernant les opérations de nettoyage, veuillez consulter le manuel de nettoyage et de désinfection.

Pour nettoyer l'appareil, utilisez un liquide vaisselle normal ou un mélange d'eau et de vinaigre ; une fois nettoyé, rincez soigneusement et abondamment à l'eau froide et éliminez les glaçons produits pendant la demi-heure qui suit les opérations de nettoyage, ainsi que ceux qui se trouvaient déjà, le cas échéant, dans l'appareil.

Nous vous déconseillons d'utiliser des détergers ou des poudres abrasives susceptibles d'endommager les finitions.

## 6.2 MISE EN MARCHÉ

Une fois que l'appareil est correctement branché au secteur électrique, au réseau hydrique et au dispositif d'évacuation d'eau, procédez de la façon suivante pour le mettre en route:

- a) ouvrez le robinet d'arrivée d'eau (8 Fig. 4)
- b) branchez la fiche (si présente) à la prise électrique et mettez l'appareil sous tension en actionnant l'interrupteur (7 Fig. 4) spécialement prévu au moment de l'installation

Mettez l'appareil en marche en appuyant sur l'interrupteur lumineux (13 Fig. 3).

Pour les appareils reliés en permanence au secteur électrique, appuyez sur l'interrupteur externe de l'appareil spécialement prévu au moment de l'installation.

## 7 PRINCIPALES CAUSES DE MAUVAIS FONCTIONNEMENT

Si l'appareil ne fabrique pas de glaçons, avant de vous adresser à un Centre d'Assistance Agréé, vérifiez:

- si le robinet (8 Fig. 4) d'arrivée d'eau est ouvert
- s'il n'y a pas une panne de courant électrique, ou si la fiche (le cas échéant) est correctement branchée, si l'interrupteur (7 Fig. 4) est en position "ALLUME" et si le bouton (13 Fig. 3) est allumé

De plus:

- lorsque le niveau sonore est excessif, vérifiez si l'appareil ne heurte pas des meubles ou des tôles susceptibles de faire du bruit ou de provoquer des vibrations
- en cas de fuites d'eau, vérifiez si l'orifice d'évacuation du réservoir n'est pas bouché, si les tuyaux d'arrivée et d'évacuation d'eau sont correctement raccordés et ne présentent aucun étranglement ou ne sont pas abîmés
- vérifiez si la température de l'air ou de l'eau ne dépasse pas les valeurs limites d'installation (voir paragraphe 5.2)
- vérifiez si le filtre à l'arrivée de l'eau est bouché (voir paragraphe 9.1)

Après avoir effectué les contrôles susmentionnés, si le dysfonctionnement persiste, arrêtez l'appareil en coupant l'arrivée du courant électrique au moyen de l'interrupteur prévu à cet effet, débranchez la fiche (le cas échéant) de la prise, fermez le robinet qui le relie au réseau hydrique et appelez le Centre d'Assistance Agréé le plus proche.

Afin de permettre au Centre d'Assistance Agréé d'intervenir le plus rapidement et le plus efficacement possible, n'oubliez pas d'indiquer avec précision le modèle, le numéro de matricule ou le numéro de construction indiquée sur la plaque d'immatriculation (Fig. 1) située à l'arrière de l'appareil et sur la couverture de ce manuel d'instructions.

## 8 FONCTIONNEMENT

L'appareil est équipé d'un thermostat situé dans le réservoir à glaçons qui arrête la production lorsque le volume des glaçons à l'intérieur du réservoir atteint la sonde à laquelle il est relié.

Le thermostat réactive la production de glaçons dès que vous en prélevez, de façon à recréer une nouvelle réserve de glaçons.

## 9 ENTRETIEN

### 9.1 NETTOYAGE FILTRE ELECTROVANNE D'ARRIVEE D'EAU (Fig. 6)

**✂** Toutes les opérations décrites dans ce paragraphe doivent être effectuées après avoir coupé l'électricité et l'alimentation en eau comme décrit pour les opérations précédentes, par du personnel agréé et qualifié.

!! Nettoyez le filtre (14) situé sur l'électrovanne d'arrivée d'eau au moins tous les 2 mois conformément aux instructions ci-après:

- coupez l'alimentation électrique en appuyant sur l'interrupteur (7 Fig. 4) et en débranchant (le cas échéant) la fiche de la prise
- coupez l'arrivée d'eau en fermant le robinet d'arrivée d'eau (8 Fig. 4) prévue au moment de l'installation
- dévissez l'embout fileté (11) du tuyau d'arrivée d'eau situé à la sortie de l'électrovanne qui se trouve à l'arrière de l'appareil.
- à l'aide d'une pince, enlevez le filtre (14) en évitant d'endommager le raccord du tuyau d'arrivée d'eau
- enlevez les résidus éventuels en plaçant le filtre sous un filet d'eau, s'il est trop sale remplacez-le

A la fin des opérations de nettoyage, remontez le filtre et le tuyau d'arrivée d'eau en prenant les précautions indiquées au début de ce manuel d'instructions.

**Après quoi, rétablissez l'alimentation électrique et le raccordement au réseau hydrique.**

### 9.2 MODELES A CONDENSATION A AIR (Fig. 7)

Sur les modèles à condensation à air, il est très important que le condensateur à ailettes et, le cas échéant, le filtre extérieur correspondant soient toujours propres. Tous les 2 mois au moins, faites nettoyer le condensateur à ailettes par un Centre d'Assistance Agréé qui pourra le faire dans le cadre du programme d'entretien.

Nettoyez le filtre extérieur (lorsqu'il existe) au moins une fois par mois, en respectant les instructions ci-après:

- arrêtez l'appareil et coupez l'alimentation électrique en appuyant sur l'interrupteur (7 Fig. 4) prévu à cet effet en phase d'installation
- ouvrez la grille en plastique
- enlevez le filtre et éloignez-le de l'appareil
- éliminez la poussière du filtre à l'aide d'air comprimé
- remettez le filtre en place et refermez la grille en plastique

### 9.3 OPERATIONS DE NETTOYAGE ET DESINFECTION

Un kit de nettoyage et de désinfection spécialement mis au point pour cet appareil est disponible chez votre revendeur.

**!! Ne pas utiliser des substances corrosives pour éliminer le calcaire de l'appareil car, au-delà de rendre nulle toute forme de garantie, ces produits endommagent gravement les matériaux et les composants de l'appareil.**

**Ne pas laver l'appareil au jet d'eau.**

**! Toutes les opérations de nettoyage doivent être effectuées après avoir coupé l'électricité et l'alimentation en eau comme décrit pour les opérations précédentes, par du personnel agréé et qualifié.**

Conformez-vous aux instructions figurant dans le manuel de nettoyage et de désinfection fourni avec cet appareil.

**!! IMPORTANT:**

Tous les glaçons produits pendant la demi-heure qui suit les opérations de nettoyage et de désinfection, ainsi que ceux qui sont éventuellement restés dans le bac à glaçons, doivent être éliminés.



La désinfection complète ne peut être effectuée que par un Centre d'Assistance Agréé. L'appareil doit être désinfecté régulièrement, en fonction des conditions d'utilisation, des caractéristiques physico-chimiques de l'eau et chaque fois que vous réutilisez l'appareil après une période d'arrêt.

Nous vous conseillons de stipuler un contrat d'entretien périodique avec le Distributeur qui vous a vendu l'appareil portant sur:

- le nettoyage du condensateur
- le nettoyage du filtre situé sur l'électrovanne d'arrivée d'eau
- le nettoyage du bac à glaçons
- le contrôle de la charge de gaz frigorigène
- le contrôle du cycle de fonctionnement
- la désinfection de l'appareil

## **10 PERIODES D'INACTIVITE**

Si vous avez l'intention de ne pas utiliser l'appareil pendant un certain temps:

- coupez l'alimentation électrique en actionnant l'interrupteur (7 Fig. 4) prévu à cet effet et débranchez la fiche de la prise (le cas échéant)
- coupez l'arrivée d'eau en fermant le robinet prévu à cet effet (8 Fig. 4)
- effectuez toutes les opérations d'entretien périodique de l'appareil prévues (voir chapitre 9)
- nettoyez le filtre de l'électrovanne d'arrivée d'eau comme indiqué au chapitre 9.1
- nettoyez le filtre du condensateur à air (lorsqu'il existe) comme indiqué au chapitre 9.2