

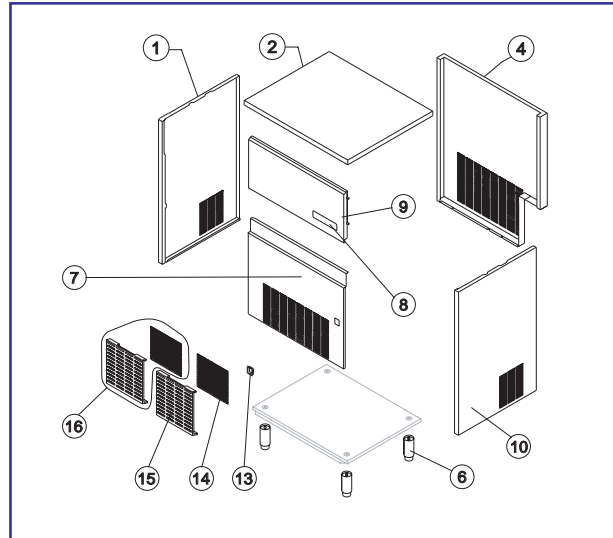
SLF 320 R290

LIST OF THE EXPLODED VIEWS

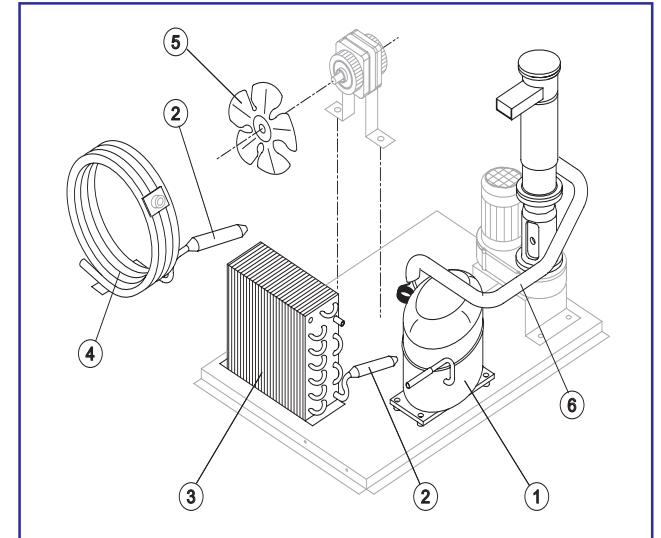
Rev. 01 - 12/03/2019



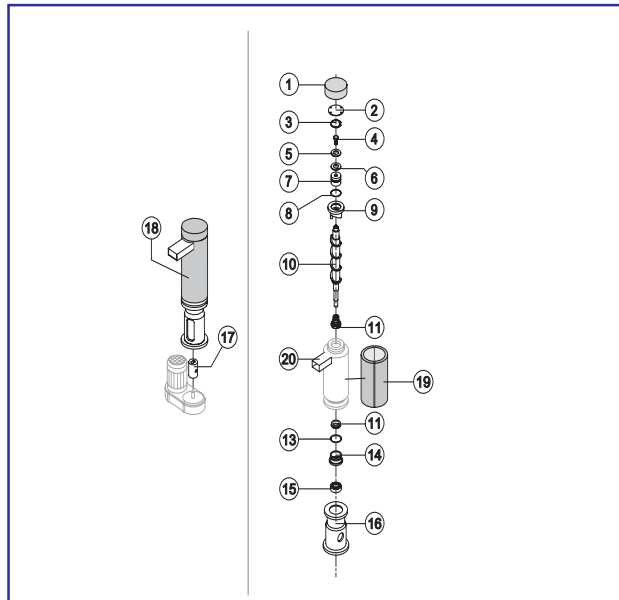
SHELL ASSY



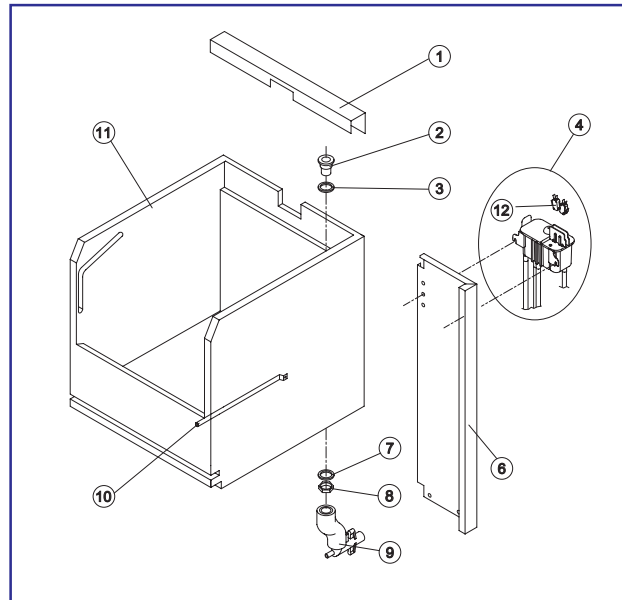
COOLING SYSTEM



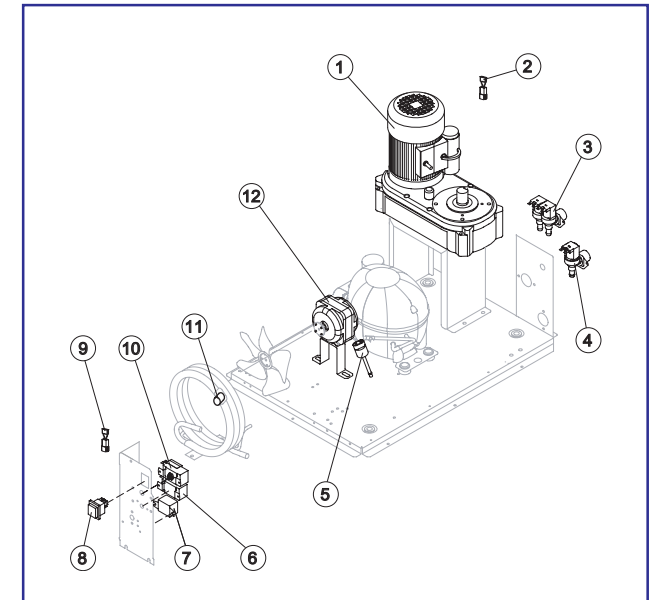
EVAPORATOR



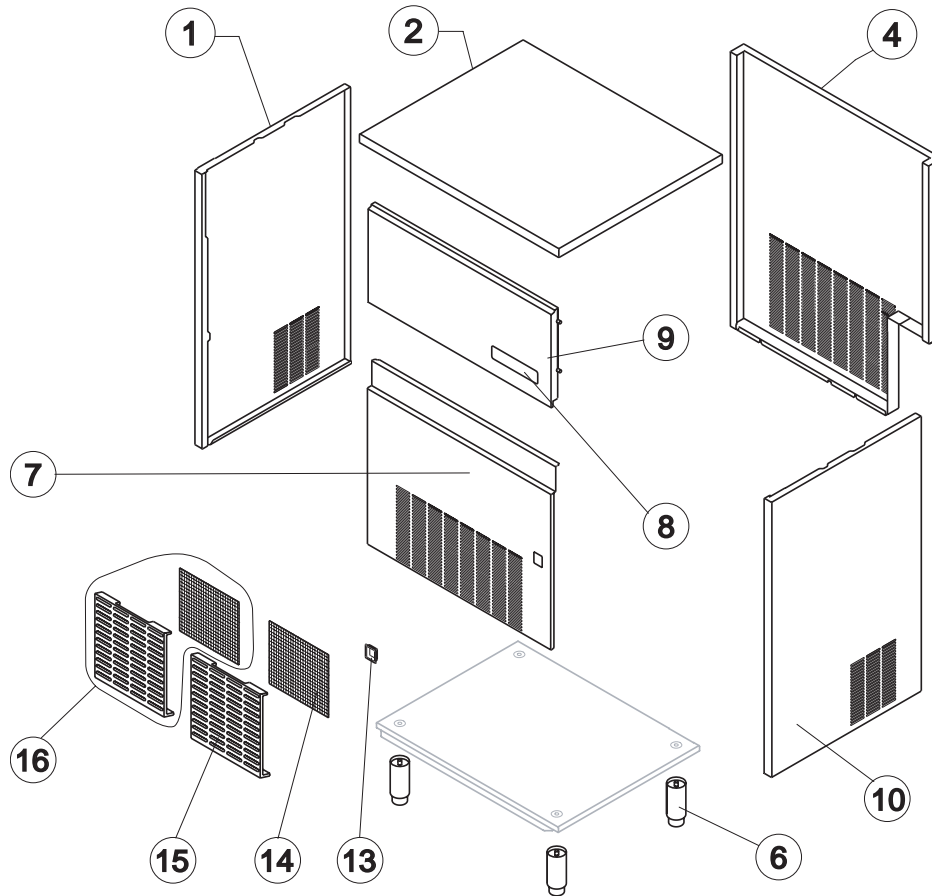
HYDRAULIC CIRCUIT



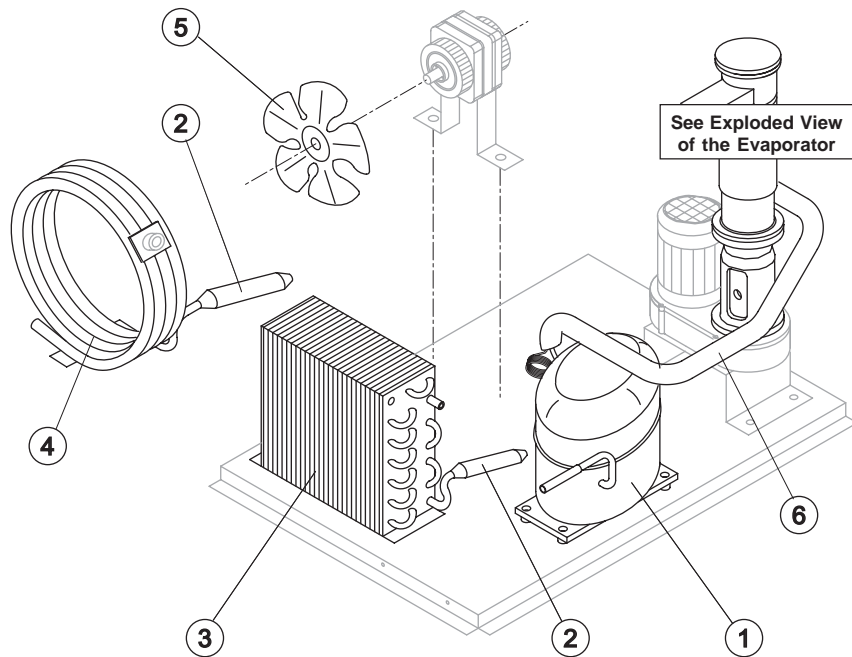
ELECTRIC PARTS



Rev. 01 - 12/03/2019



Ref.	Spare Description	Code
1	Left SidePanel Assembly	C22761
2	Top	C221492
4	Grey Rear Panel	21257
6	Foot Adjustable	20613
7	Front Panel	C221486
8	Resinate Logo	241330
9	Door Assembly	C10362
10	Right Side Panel Assembly	C22760
13	On-Off switch Frame	10696
14	Filter	18243
15	Grid	10697
16	Grid Assembly	C10697



Common Parts

Ref.	Spare Description	Code
1	Compressor	231174
2*	Molecular Drier	14009
6	Suctin Line	for the spare parts code give us the s/n.

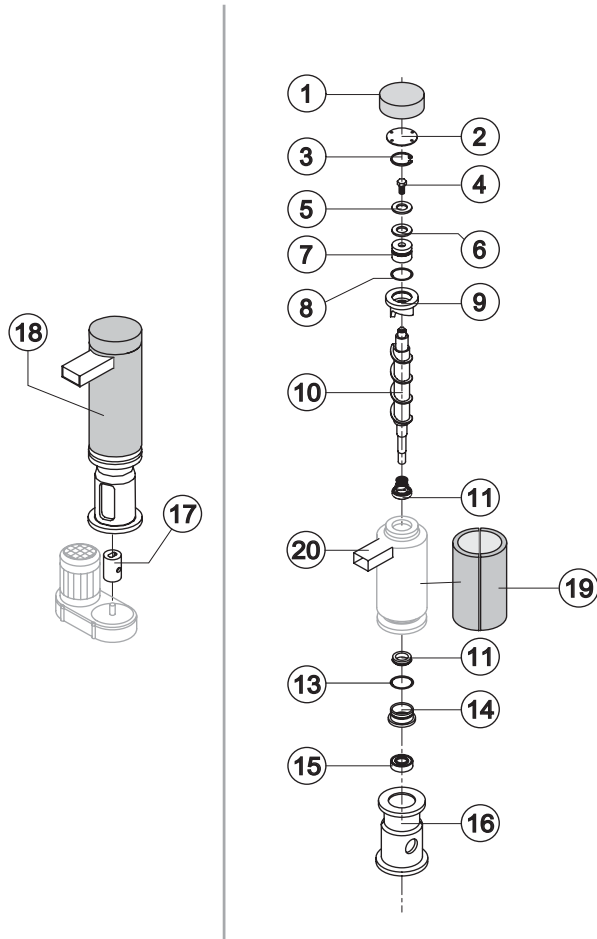
Parts for Air-Cooled Version Only

Ref.	Spare Description	Code
3	Air Condenser	Current Version 201222
3	Air Condenser	Till s/n. 874650 201147
5	Sucking Fan	20031

Parts for Water-Cooled Version Only

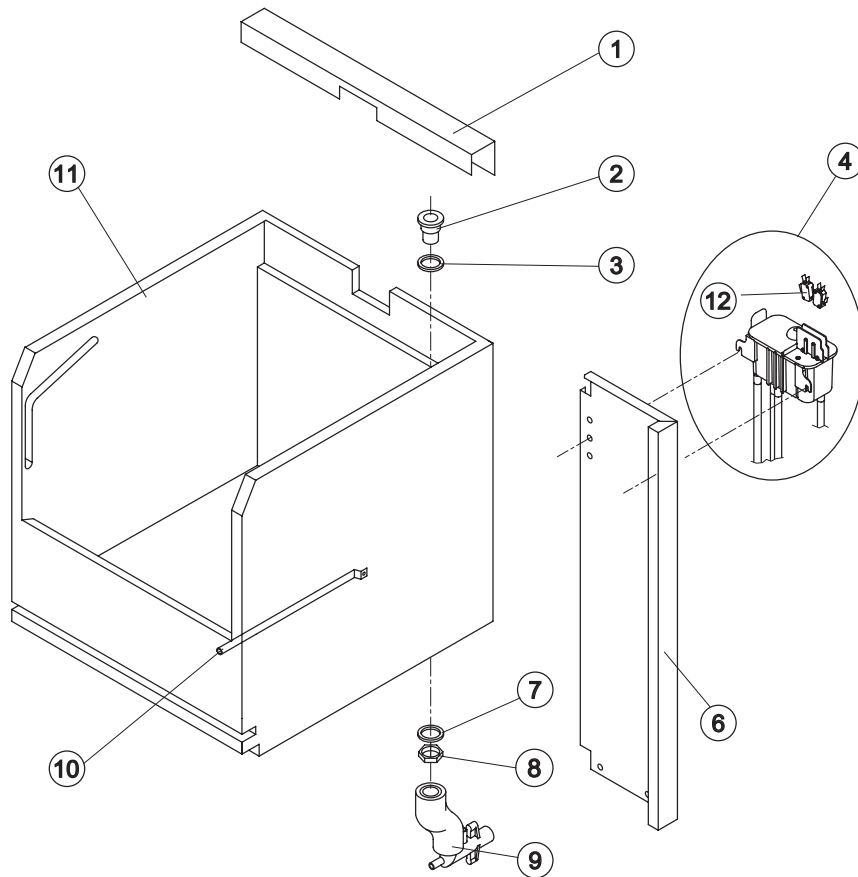
Ref.	Spare Description	Code
4	Water Condenser	14014
5	Sucking Fan	10213

Rev. 01 - 12/03/2019



Ref.	Spare Description	Code
1	Insulating Top Panel	18170
2	Closing Disk	22825
3	Seeger	20043
4	Stainless Steel Screw	20663
5	Shimming Disk	22826
6	Self-Lubricating Disk	20631
7	Stainless Steel Thrust Bearing	20686
8	OR Gasket 3087	20688
9	Ice Breaker	201236
10	Auger	20783
11	Ceramic Seal	20937
13	OR Gasket 3162 NBR70	20429
14	Reduction Ring	20785
15	Stainless Steel Bearing	20782
16	Flange	20629
17	Joint	D20784
18	Evaporator Assy	C11140
19	Insulating Cap	18267
20	ABS Ice exhaust assembly	From s/n. 830197 C10781

Rev. 01 - 12/03/2019



Common Parts

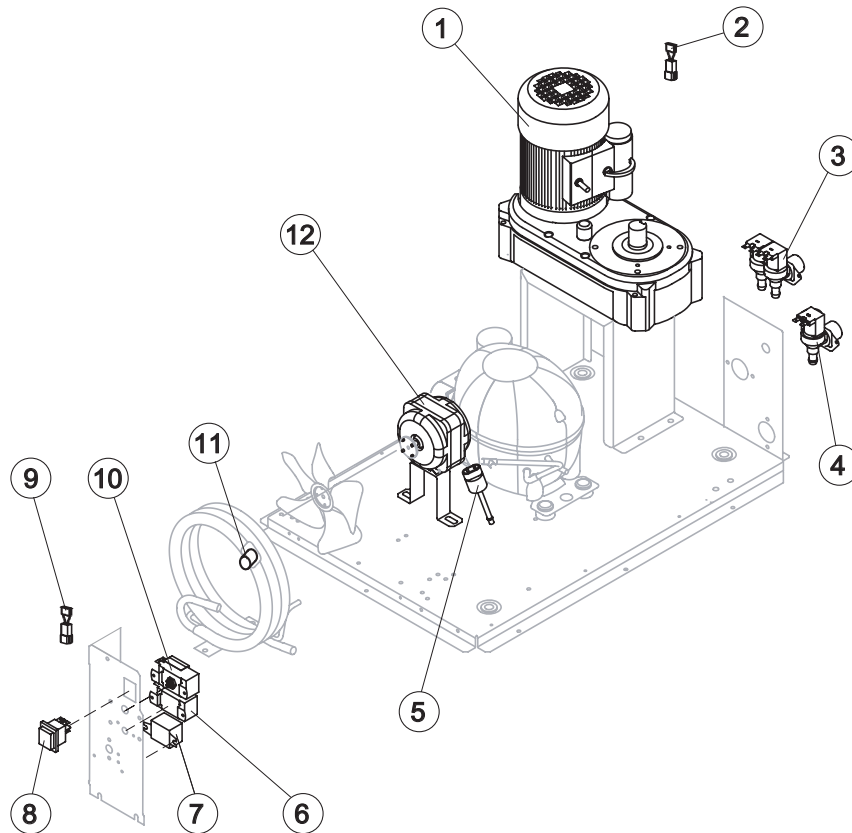
Ref.	Spare Description	Code
1	Cover for Ice Exhaust	22774
2	Water Outlet Nipple	10472
3	Silicone Gasket	13219
4*	Double Switch Basin Assembly	C10682
6	Basin Support	21247
7	Semirigid Polyethylene Gasket	13007
8	Bin Discharge Nut	10096
10	Bulb- holder Pipe	20522
11	Insulated Bin Assembly	C11127
12	Microswitch	23055

Parts for Air-Cooled Version Only

Ref.	Spare Description	Code
9	Discharges Manifold	C10366

Parts for Water-Cooled Version Only

Ref.	Spare Description	Code
9	Discharges Manifold	C10367



Common Parts

Ref.	Spare Description	Code
1	Gearmotor	231030
2	Anti Radio Interference Filter	C23457
5	Low pressure safety switch	231124
6*	Fan cycle switch	231123
7*	Relay	23190
8*	Green Light Switch (On-Off)	23327
9	Anti Radio Interference Filter	C23459
10*	Bin Thermostat	R23005

Parts for Air-Cooled Version Only

Ref.	Spare Description	Code
4*	1 Way- Water Inlet Valve	23115
12*	Fan Motor	23067

Parts for Water-Cooled Version Only

Ref.	Spare Description	Code
3*	2 Ways- Water Inlet Valve	23010
11*	Safety Thermostat	C23114
12*	Fan Motor	23029